

C&K CM Series Single Pole Power Rocker Switches

ACTUATOR COLOR

OPTION CODE	ACTUATOR COLOR
2	(STD.) BLACK
1	WHITE
3	RED
R	RED, ILLUMINATED
A	AMBER, ILLUMINATED
G	GREEN, ILLUMINATED

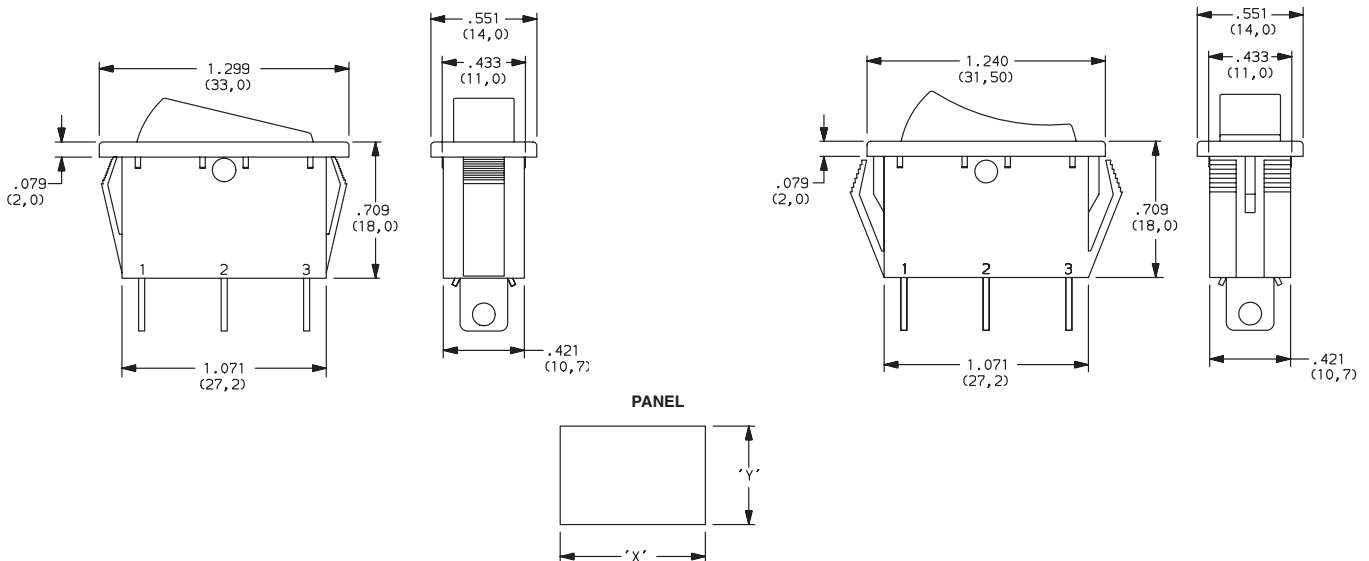
MOUNTING STYLE/COLOR

S2 (STD.) SNAP-IN, BLACK

S1 SNAP-IN, WHITE

S4 (STD.) SNAP-IN, BLACK (SHORT FRAME)

S3 SNAP-IN, WHITE

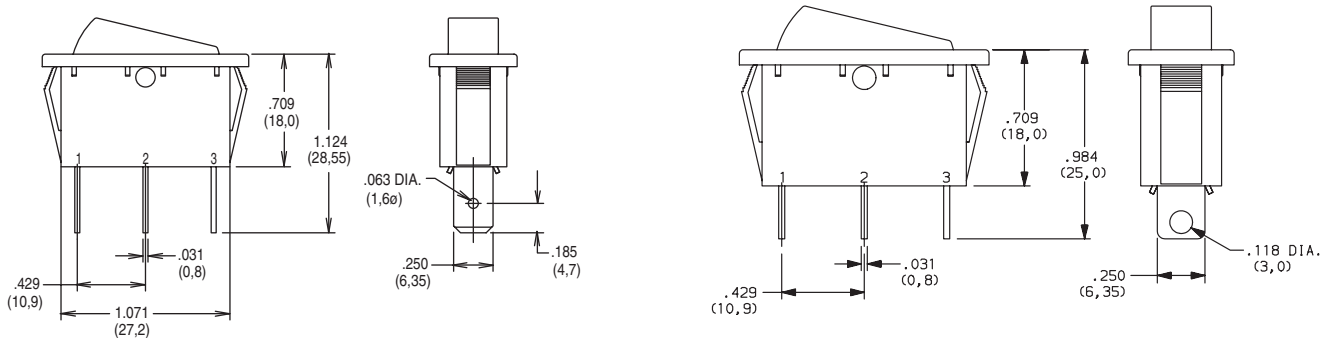


PANEL THICKNESS	"X"	"Y"
0.030-0.049 (0,75-1,25)	1.189-.004 (30,2-0,1)	0.441+.004 (11,2+0,1)
0.049-0.079 (1,25-2,0)	1.197-.004 (30,4-0,1)	0.441+.004 (11,2+0,1)
0.079-0.118 (2,0-3,0)	1.212-.004 (30,8-0,1)	0.441+.004 (11,2+0,1)

TERMINATION

05 (STD.) .250" QUICK CONNECT

07 SOLDER LUG

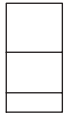


NOTE: Available with CM101 & CM102 switch functions only.

C&K CM Series Single Pole Power Rocker Switches

ACTUATOR MARKING

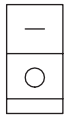
NONE (STD.) NO MARKING



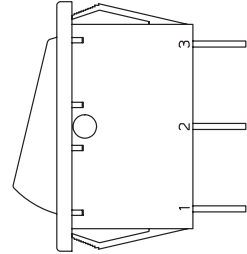
D ON-OFF



H O I



P O -



NOTE: Orientation of actuator marking and terminals.

CONTACT MATERIAL

OPTION CODE	CONTACT AND TERMINAL MATERIAL	RATINGS	
QA (STD.)	SILVER	POWER	16 AMPS @ 125 VAC; 1/8 HP 10 AMPS @ 250 VAC, 1/3 HP (UL/CSA).

LAMP RATING

(NONE) NO LAMP

7 125 VAC 33kΩ NEON

8 250 VAC 150kΩ NEON

NOTE: Lamp rating for J3 & J8 actuator option.