

# AYZ Slide Switch for SMT



- The AYZ is a slide switch for SMT (Surface Mounting Technology). With two switching positions it needs a space of only  $3.5 \times 7.2$  ( $0.138 \times 0.295$ ). Its height of 1.5 mm (0.0591) is extremely low.
- 4 types are available
  - SPDT: single pole, single throw
  - DPDT: double pole, double throw
  - SP3T: single pole, three times throw
  - DP3T: double pole, three times throw
- It is delivered on reels of 4000 pieces
- The contact material is silver and the switching mode is non-shorting, the shorting mode is available on request.
- 2 actuating versions:  
 SPDT and SP3T: vertical lever  
 DPDT and DP3T: horizontal lever

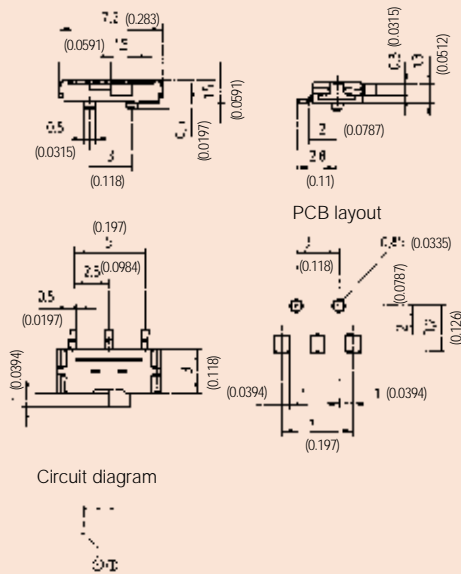
<b>Construction</b>	
Number of switching positions	2 or 3
Number of switching combinations	SPDT 1×2; DPDT 2×2; SP3T 1×3; DP3T 2×3
Mode of switching	Non-shorting (U)
Terminals	Gullwing type
Mounting	Soldering, SMT
<b>Electrical data</b>	
Max. switching power	1.2 VA
Max. switching voltage	12 V DC
Max. switching current	100 mA
Dielectric strength at 50 Hz/1 Min.	0.1 kV
Operating life without electrical load	> 10 000 operations
Contact resistance	< 80 mΩ
Insulation resistance	< 10 <sup>8</sup> Ω
<b>Mechanical data</b>	
Operation torque	150 cN ± 100 cN
Travel	1.5 (0.0591)
<b>Further data</b>	
Contact material	Silver
Max. soldering time and temperature	Hand soldering at 230°C ± 5°C, 3 s ± 0.5 s
Reflow soldering	Preheating: 140°C ± 10°C, 3 minutes heating 230°C ± 5°C, 5 s ± 1 s
Operating temperature	- 10°C to + 60°C
Storage temperature	- 20°C to + 70°C

Ordering code: see next page.

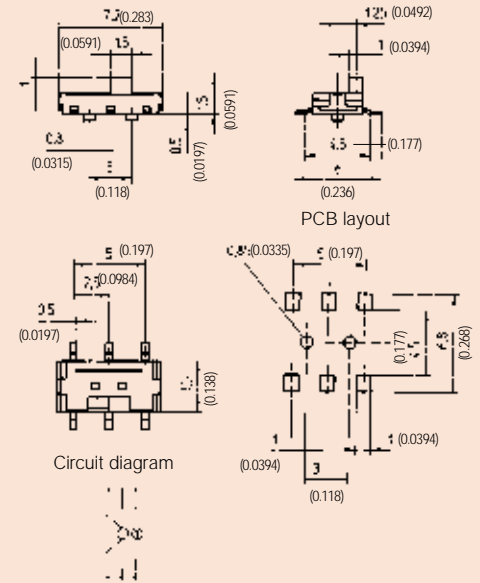
# AYZ Slide Switch for SMT

## Dimensional Drawings

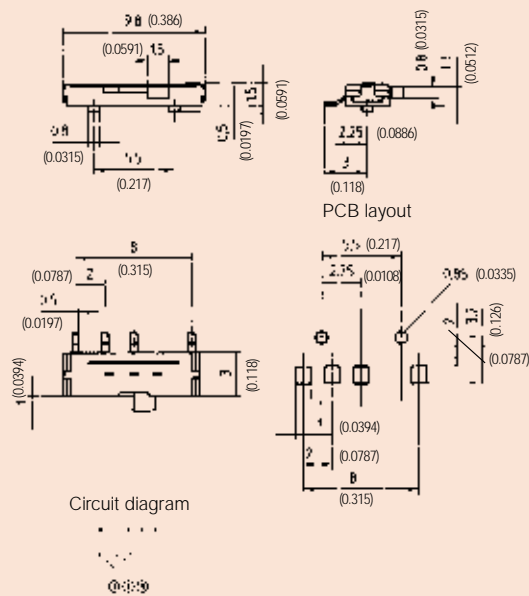
**AYZ SPDT** Single pole, 2 positions, vertical lever



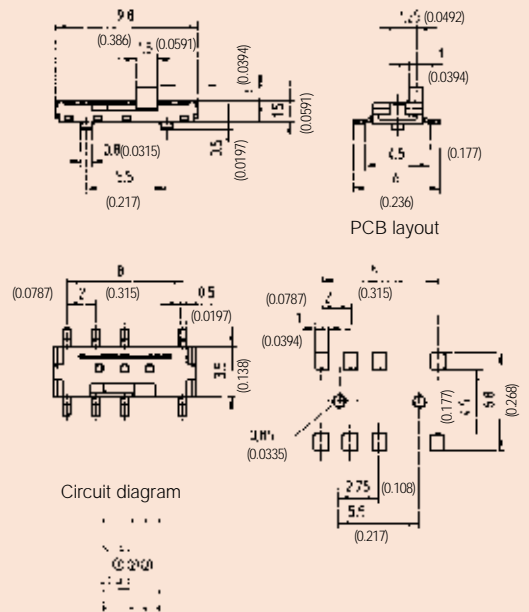
**AYZ DPDT** Double pole, 2 positions, horizontal lever



**AYZ SP3T** Single pole, 3 positions, vertical lever



**AYZ DP3T** Double pole, 3 positions, horizontal lever



Ordering code		1	2	3	4
		<b>Example:</b>			
<b>1</b>	<b>Designation:</b> AYZ	<b>AYZ</b>	<b>0103</b>	<b>AG</b>	<b>RL</b>
<b>2</b>	<b>Switching combinations:</b> 0102 = SPDT, 0202 = DPDT, 0103 = SP3T, 0203 = DP3T				
<b>3</b>	<b>Contact material:</b> AG = Silver				
<b>4</b>	<b>Packaging:</b> RL = Reel				