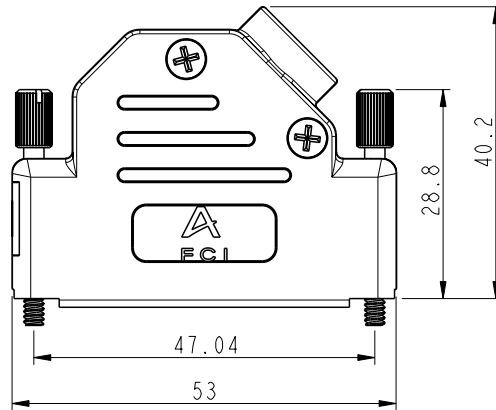
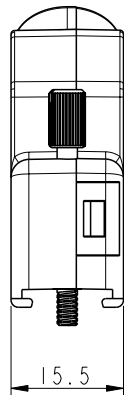


Tous droits strictement réservés. Reproduction ou communication à des tiers interdite sans gracieuse forme que ce soit sans autorisation écrite du propriétaire. Propriété de FCI. Droits de reproduction FCI.

FCI

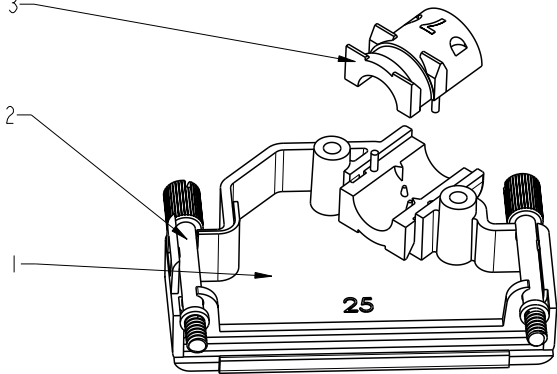
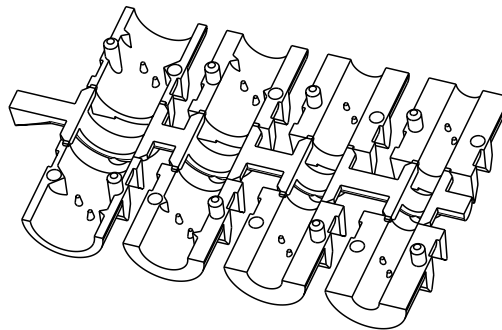
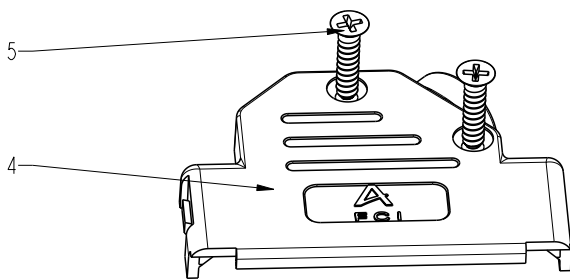
All rights strictly reserved. Reproduction or issue in third parties in any form whatever is not permitted without written authority from the proprietor. Property of FCI. Copyright FCI.

SIZE	Part Num.	Threading
25	8655PHRA2501	UNC 4.40



NOTES:

Material: Polycarbonat (UL94V-0)
 Cable strain relief: Steel fibre reinforced Polycarbonat (UL94V-0)
 Temperature range: -40°C to 120°C
 Cable diameter: 4,0 to 13,0 mm
 Jackscrew: UNC 4.40 black
 Packaging: Bulk, in box of 100 P/N
 Covers screwing force (max): 100 Ncm
 Jackscrew screwing force (max): 75 Ncm



DESIGNATION	REP	09	15	25	37
COVER BOTTOM	1			1	
JACKSCREWS	2	1		2	
STRAIN RELIEF	3			2	
COVER TOP	4			1	
SCREWS POZIDRIVE	5			2	

lfr	ecn no	dr	date
A	ES4045	SBA	84/27/04
-	-	-	-
-	-	-	-
-	-	-	-
-	-	-	-
-	-	-	-
-	-	-	-

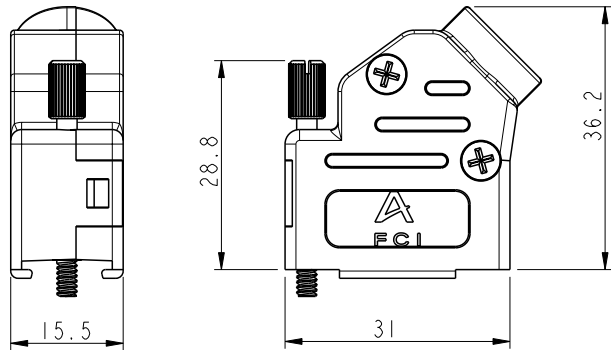
FCI www.fciconnect.com		surface - ✓	tolerance ISO 406 ISO 1101	projection	mm
Dr	BART.S	05.04.04	Product family	D-SUB	size A3
Eng	LENOIR.M	05.04.04	Spec ref	-	Scale 3:2
Chr	LEGARE.P	05.04.04	Material	SEE NOTES	ECN -
Appr	LEGARE.P	05.04.04			
title D-SUB PLASTIC SHELLS			dwg no	10039957C	Rev. A
catalog no			CUSTOMER COPY		sheet 1 of 3

Tous droits strictement réservés. Reproduction ou communication à des fins interdites sans autorisation écrite du propriétaire. Propriété de FCI. Droits de reproduction FCI.

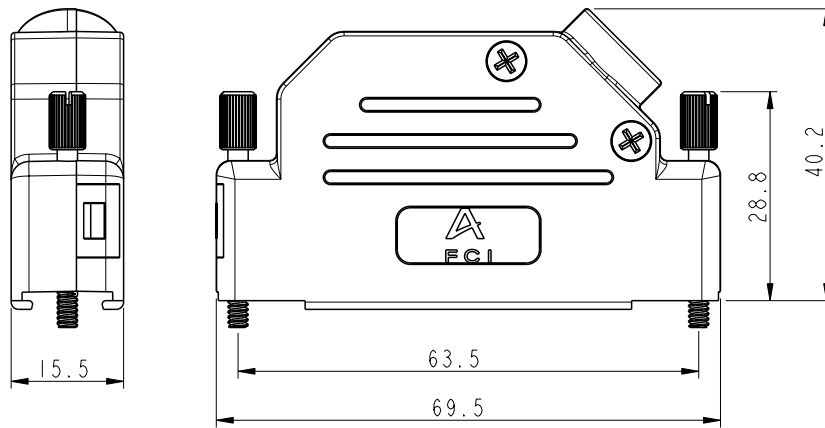
FCI

All rights strictly reserved. Reproduction or communication in any form whatsoever is not permitted without written authority from the proprietor. Property of FCI. Copyright FCI.

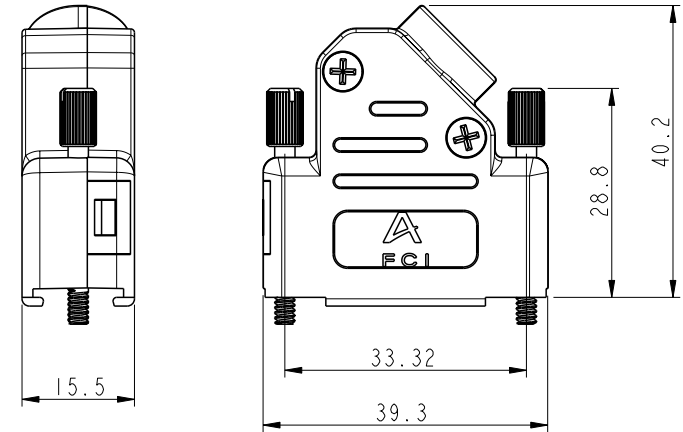
SIZE	Part Num.	Threading
9	8655PHRA0901	UNC 4.40



SIZE	Part Num.	Threading
37	8655PHRA3701	UNC 4.40



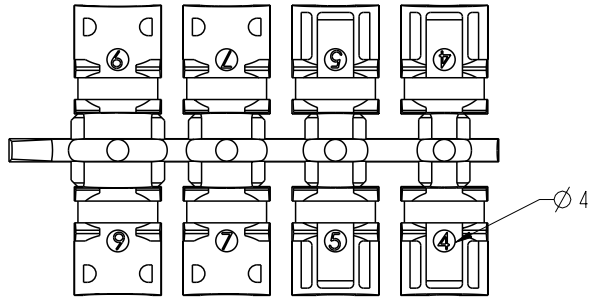
SIZE	Part Num.	Threading
15	8655PHRA1501	UNC 4.40



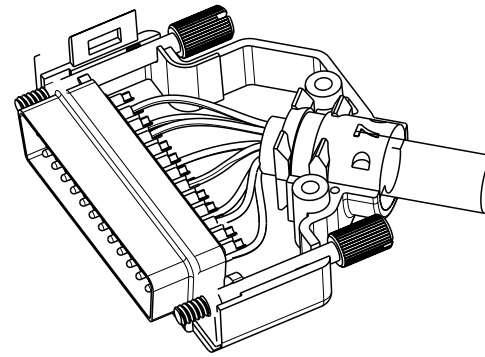
FCI		www.fciconnect.com		surface - ✓	tolerance ISO 406	projection	mm
				ISO 1302	ISO 1101		
Dr	BART.S	05.04.04	Product family	D-SUB		size	Scale
Eng	LENOIR.M	05.04.04	Spec ref			A3	3:2
Chr	LEGARE.P	05.04.04	Material	SEE NOTES		ECN	-
Appr	LEGARE.P	05.04.04					
title				D-SUB PLASTIC SHELLS		Rev.	
				ANGLED		A	
catalog no				- CUSTOMER COPY		sheet 2 of 3	

CABLING INSTRUCTIONS

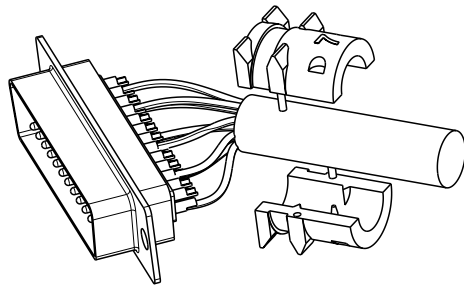
1- Use two halves of strain relief different sizes can be mixed (Ø4,5,7 or 9)



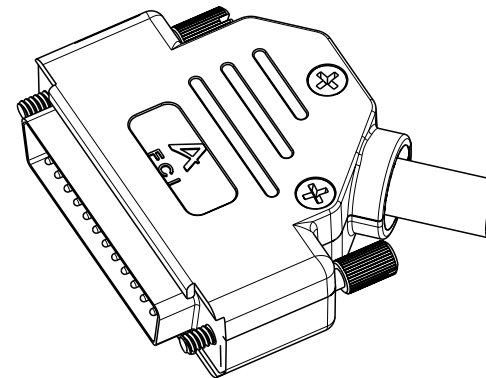
3- Mount connector and cable into the backshell



2- Attach the strain relief around the cable



4- Assemble the other half screwing force: 100 Ncm



Tous droits strictement réservés. Reproduction ou communication e des tiers interdite sans gréage forme que ce soit sans autorisation écrite du propriétaire. Propriété de A FCI. Droits de reproduction FCI.

A
FCI

All rights strictly reserved. Reproduction or issue in third parties in any form whatever is not permitted without written authority from the proprietor. Property of FCI. Copyright FCI.

A FCI		www.fciconnect.com		surface - <input checked="" type="checkbox"/>	tolerance ISO 406 ISO 1101	projection 	mm
Dr	BART.S	05.04.04	Product family	D-SUB		size	Scale
Eng	LENOIR.M	05.04.04	Spec ref	-		A3	3:2
Chr	LEGARE.P	05.04.04	Material	SEE NOTES		ECN	-
Appr	LEGARE.P	05.04.04					
title				D-SUB PLASTIC SHELLS		Rev.	
				ANGLED		A	
catalog no				- CUSTOMER COPY		sheet 3 of 3	