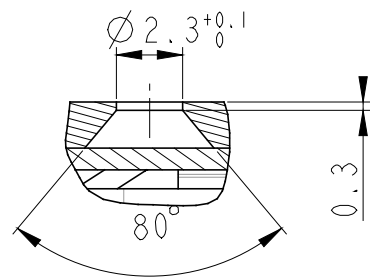
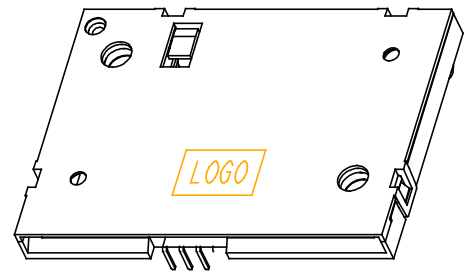


PART NUMBER	LEAD FREE VERSION
7431E0225S01	7431E0225S01LF



SECTION X-X
SCALE 4:1

55.9^{+0.2} on clips

40^{+0.3}

55.5^{+0.3}

(50.5)

5.4^{+0.3}

4.1

0.6X0

38.1

3.15±0.25

0.3

Card



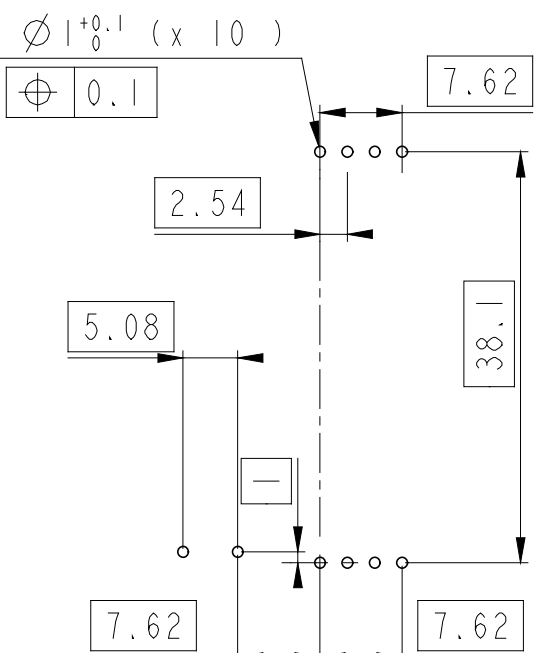
0907

Tous droits strictement reserves. Reproduction ou communication a des tiers interdite sans autorisation écrite de propriétaire. Propriete de FCI. Droits de reproduction FCI.



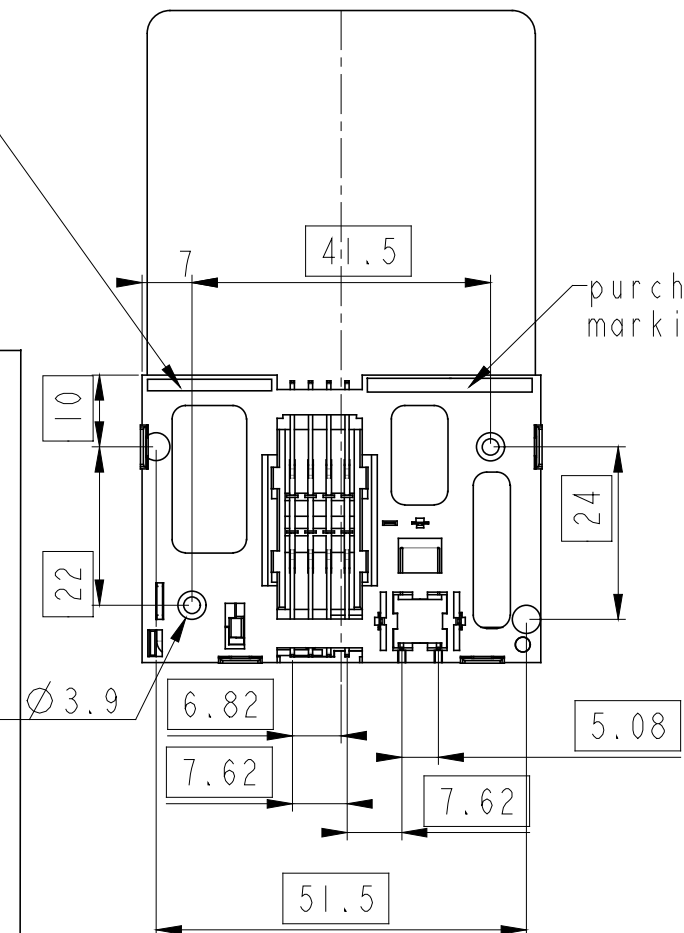
All rights strictly reserved. Reproduction or issue to third parties in any form whatever is not permitted without written authority from the proprietor. Property of FCI. Copyright FCI.

Recommended PCB Layout
(Component side)



manufacturing date(year-week)

purchase number marking



General Tolerances	
0 to 10mm:	±0.1mm
10 to 30mm:	±0.15mm
30 to 60mm:	±0.2mm
60 and more:	±0.3mm

lfr	ecn no	dr	date
A	F20307	DLE	02/04/29
B	F20316	DLE	02/05/16
C	LS20341	DLE	02/06/04
D	LS3077	MPE	03/09/17
E	LS3088	MPE	03/10/13
F	105-0176	NT	05/09/30
-	-	-	-

GENERAL :

High cycle life duration smart card connector with landing type contacts mechanism. The landing type connector also provides the feature of recessed contacts when card is not inserted which protects them against vandalism.
Smart card for reference purposes only.

ELECTRICAL PROPERTIES:

Insulation resistance : > 1000MΩ
Dielectric withstanding voltage : >750 Vrms
Current carrying capacity : Min 10μA, Max 1A
Contact resistance : < 100mΩ

MECHANICAL PROPERTIES :

Operating force : Insertion : F < 10N
Withdrawal : 1 < F < 10N
Contact Normal force : 0.2 < F < 0.3 for 0.6mm of deflection
Durability : 200 000 mating cycles

MATERIAL :

Head reader : PA4/6, Colour Black, Rated UL94V0
Cover : PA4/6, Colour Grey, Rated UL94V0
Contacts : Copper alloy,
Plating : 2.5μm Nickel min. all over
2μm Gold min. on contact area
3μm SnPb(60/40) min. on solder tails(FOR LEADED VERSION)
3μm matte tin min. on solder tails(FOR LEAD FREE VERSION)

ENVIRONMENT :

Operating temperature : -40°C / +85°C
Climatic conditions : UTE 93-421

PACKAGING :

Plastic cavity tray

LEAD FREE VERSION:

"This product meets European Union Directives and other country regulations as described in GS-22-008"

The housing will withstand exposure to 260°C peak temperature for 3-5seconds in a wave solder application with a 1.6mm minimum thick circuit board.

	www.fciconnect.com	surface -- ✓	tolerance ISO 406 ISO 1101	projection	mm
	ISO 1302	ISO 1302	ISO 1101	size A3	Scale 1:1
Dr	J.TARON	02-09-17	Product family	MOBILE I/O	size A3
Eng	LE GALLIC	02/10/11	Spec ref	--	Scale 1:1
Chr	N.TWENCY	05/09/30	Material	SEE NOTES	ECN 105-0176
Appr	N.TWENCY	05/09/30			
title E02 WITHOUT PEG			dwg no VJW54076		Rev. F
SMART CARD READER VXX27601			catalog no 7431E0225S01		CUSTOMER COPY
			sheet 1 of 1		