

Tous droits strictement réservés. Reproduction ou communication à des tiers interdite sans gracieuse forme que ce soit sans autorisation écrite du propriétaire. Propriété de FCI. Droits de reproduction FCI.

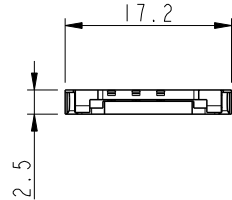
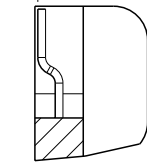


All rights strictly reserved. Reproduction or issue in third parties in any form whatever is not permitted without written authority from the proprietor. Property of FCI. Copyright FCI.

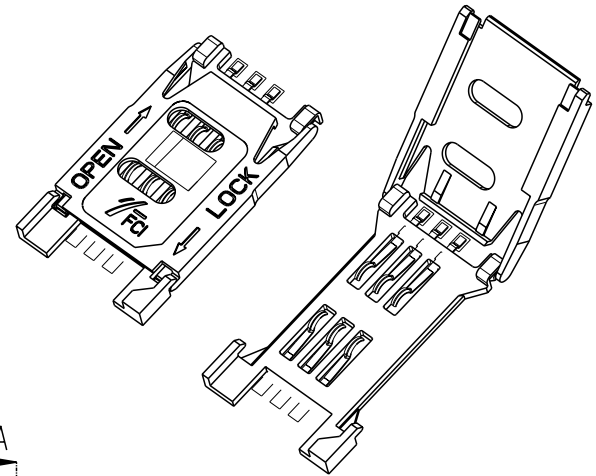
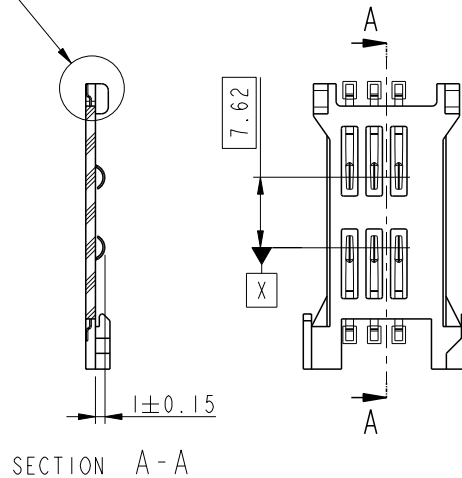
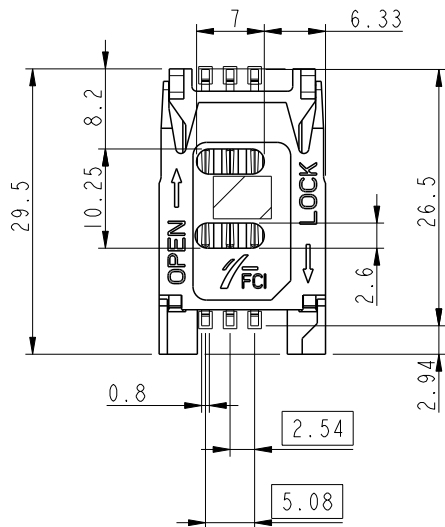
PART NUMBER
7111S2015X01
7111S2015X02
7111S2015X04

DETAIL F  
SCALE 10:1

0.06 ± 0.01



SEE DETAIL F



SEE NOTE SHEET 2

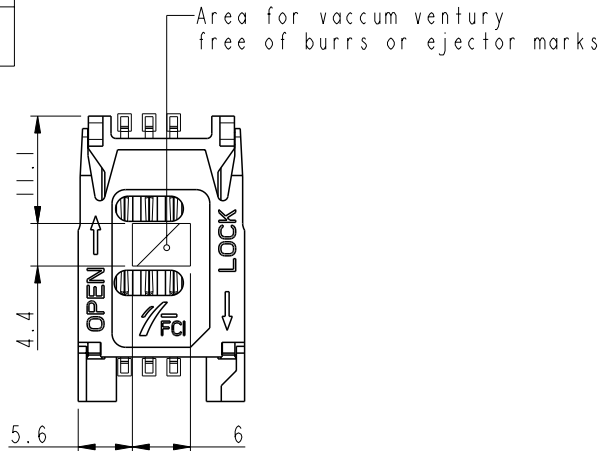
gen.tol : from 0mm to 10mm ±0.10mm  
 10mm to 30mm ±0.15mm  
 30mm to 60mm ±0.20mm  
 over 60mm ±0.30mm

lfr	ecn no	dr	date
1	---	JBB	98/09/01
2	---	JBB	98/12/23
3	---	LVU	99/02/25
4	---	LVU	99/03/26
A	---	HLE	01/12/06
B	LS2013	RCH	02/03/14
-	-	-	-

www.fciconnect.com		surface	✓	tolerance	ISO 406 ISO 1101	projection	mm
Dr	L.VUILLEMIN	98/09/01	Product family	MOBILE I/O		size	A3
Eng	G.GAMACHO	98/09/01	Spec ref	--		Scale	2:1
Chr	O.CAILLER	98/09/01	Material	SEE NOTES		ECN	LS2013
Appr	G.GAMACHO	98/09/01					
title SIM CARD READER				eng no	VJW-54355		Rev. B
catalog no S20				-- CUSTOMER		sheet 1 of 2	

Tous droits strictement réservés. Reproduction ou communication à des tiers interdite sans gracieuse forme que ce soit sans autorisation écrite du propriétaire. Propriété de s. FCI. Droits de reproduction FCI.

PART NUMBER
7111S2015X01
7111S2015X02
7111S2015X04



**NOTES:**

**A MECHANICAL PROPERTIES:**

housing material: PA 4/6 colour black,  
 flamability class UL94V0 rated  
 Contacts material: CuSn9P, tickness 0.16mm  
 Contacts plating:  
 contact area: 2 microns Au over 2.5 microns Ni mini  
 Solder area: SnPb 60/40 3 microns over 2.5u Ni mini  
 bare edge allowed  
 Durability: 10000 mating cycles  
 Contacts force: 0.5 N MAX at maximum deflection

**B ELECTRICAL PROPERTIES:**

Contact resistance: <100mΩ  
 Insulation resistance: >1000MΩ  
 Dielectrique withstanding voltage: >=1000Vrms  
 Current carrying capacity: min 10uA, MAX 1A  
 Voltage U5: 5V ±0.1V with R=560Ω

**C ENVIRONEMENT:**

Operation temperature range: -40°C to +90°C  
 Reflow soldering temperature (infra-red): 225°C/20s , 236°C MAX1

**D Packaging:**

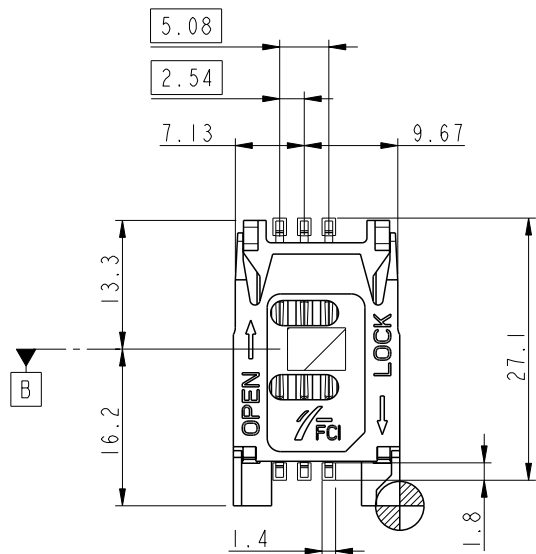
Tape and Reel:  
 FOR P/N 7111S2015X01 AND P/N 7111S2015X04 pitch of tape : 24mm  
 FOR P/N 7111S2015X02 pitch of tape : 20mm

**APPLICABLE DOCUMENT:**

Product specification VGN11502/A  
 GENERAL SPECIFICATIONS  
 MECHANICAL PERFORMANCES  
 ELECTRICAL PERFORMANCES  
 TESTING  
 Climatic conditions  
 UTE C 93-421  
 Standart: card standart ISO 7810 , ISO 7816 , GSM 11.11



PCB FOOTPRINT  
 IMPLANTATION CI



gen.tol : from 0mm to 10mm ±0.10mm  
 10mm to 30mm ±0.15mm  
 30mm to 60mm ±0.20mm  
 over 60mm ±0.30mm

		www.fciconnect.com		surface -- ✓	tolerance ISO 406 ISO 1101	projection 	mm ↔
Dr	L.VUILLEMIN	98/09/01	Product family	MOBILE I/O		size	Scale
Eng	G.GAMACHO	98/09/01	Spec ref	--		A3	2:1
Chr	O.CAILLER	98/09/01	Material	SEE NOTES		ECN	LS2013
Appr	G.GAMACHO	98/09/01					
title			SIM CARD READER		eng no	VJW-54355	
catalog no			S20		CUSTOMER		sheet 2 of 2
							Rev. B