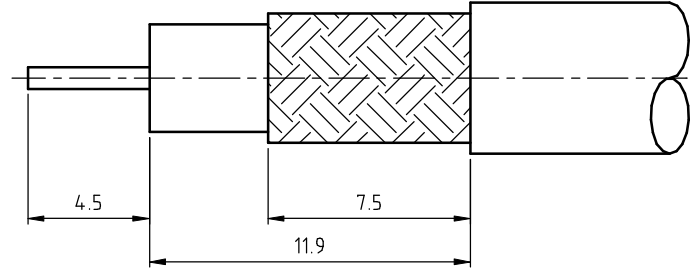
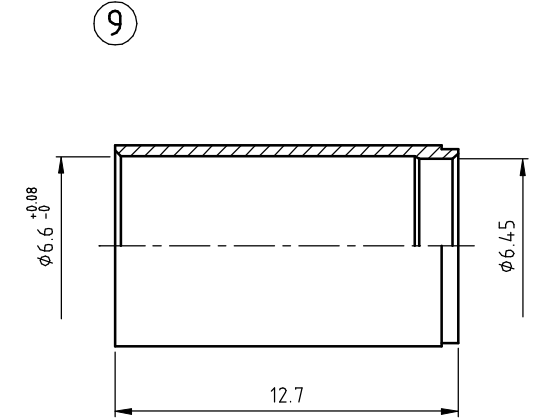
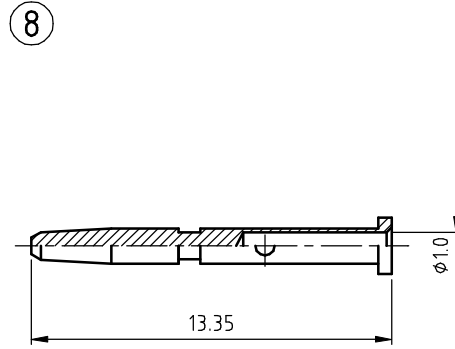
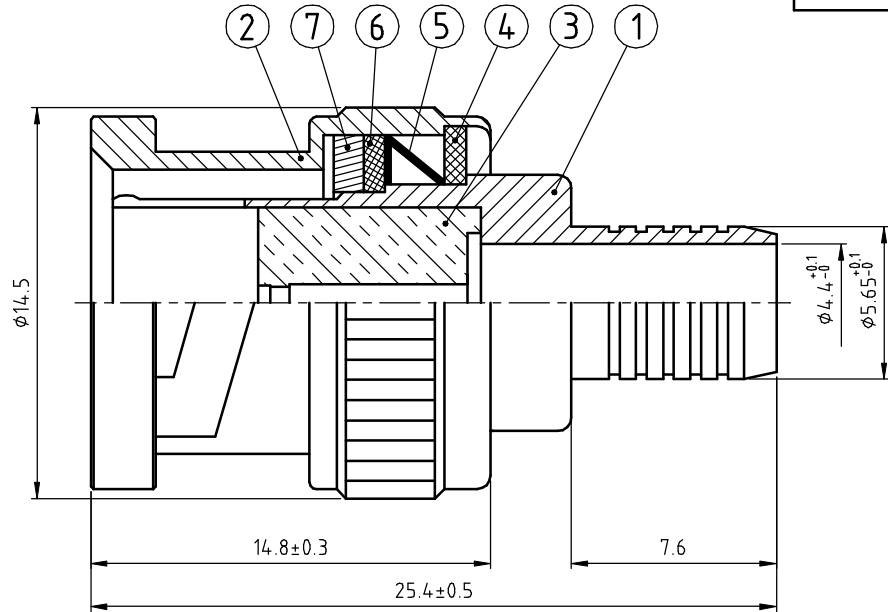


Cannon P/N	PACKAGE
167000-1420	SINGLE CONN.
167000-1426	BULK PACK
REFER DOC# "AI-1420" FOR ASSEMBLY INSTRUCTION	

REVISIONS				
SYS	ECN No.	DESCRIPTION	DATE	APPROVED
THIS IS CAD DRAWING, DOES NOT REVISE MANUAL !!				



RECOMMENDED CABLE STRIPPING

REF.	DESCRIPTION	MATERIAL	FINISH
9	FERRULE	BRASS	NICKEL
8	CONTACT PIN	BRASS	50u" GOLD
7	GASKET	RUBBER	
6	WASHER	BRASS	NICKEL
5	SPRING	SK-5	NICKEL
4	WASHER	BRASS	NICKEL
3	INSULATOR	TEFLON	
2	SHELL	BRASS	NICKEL
1	BODY	BRASS	NICKEL

TOLERANCE m/m .000 ±0.10 .00 ±0.15 .0 ±0.25 0. ±0.5 ANGLE ±1.0°	DRAWN	DATE	PART NO. <i>SEE TABLE</i>
	CHECKED <i>Rex Jang</i>	DATE 4/17/01	
	APPROVED <i>Dixon Chen</i>	DATE 4/17/01	ITT Cannon TITLE BNC CRIMP PLUG, 75-OHM FOR RG734 CABLE
	SIZE A3	UNIT MM SCALE N.A.	
UNLESS OTHERWISE SPECIFIED	SHEET 1 OF 1	DRAWING NO. RFMW-PSG99351-00	REV A