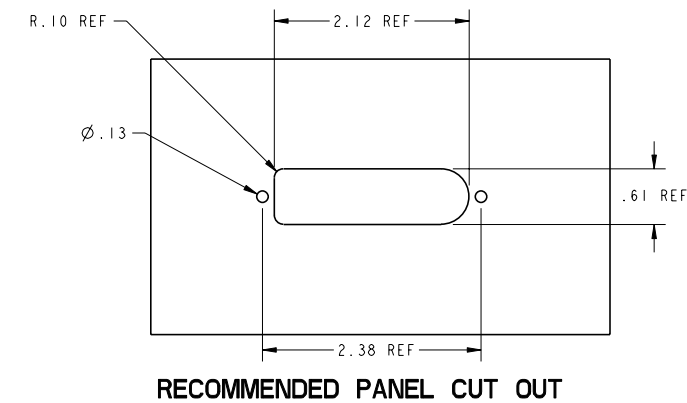
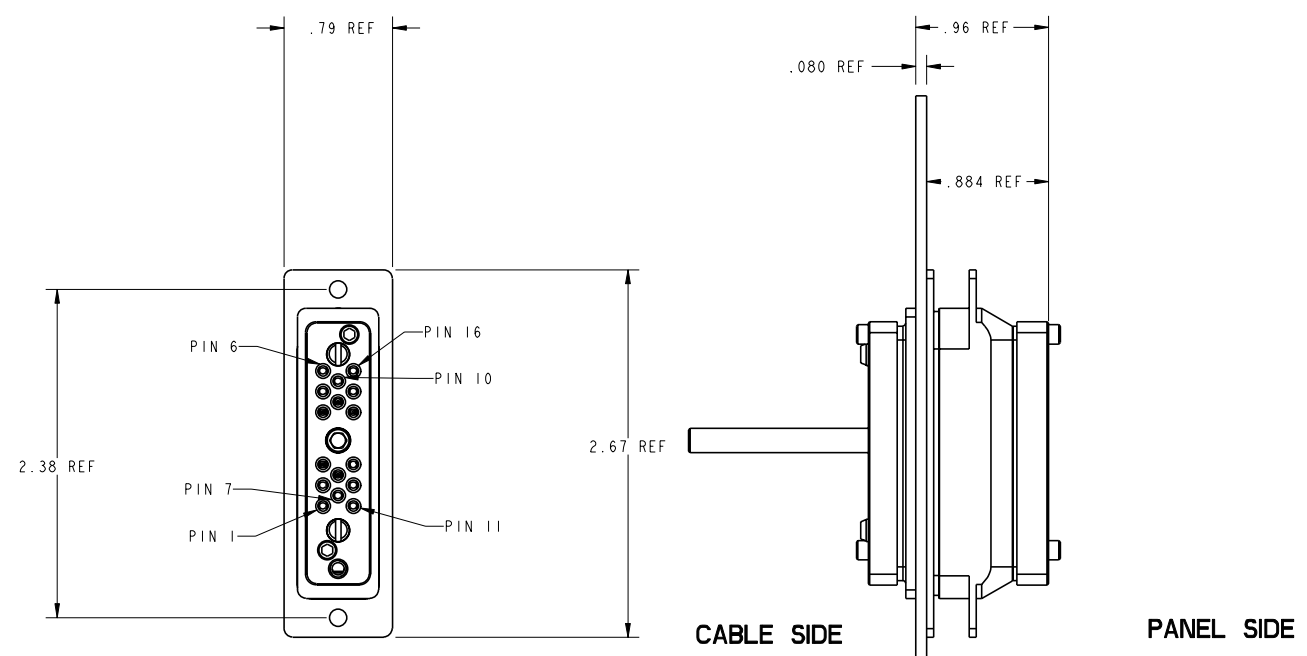
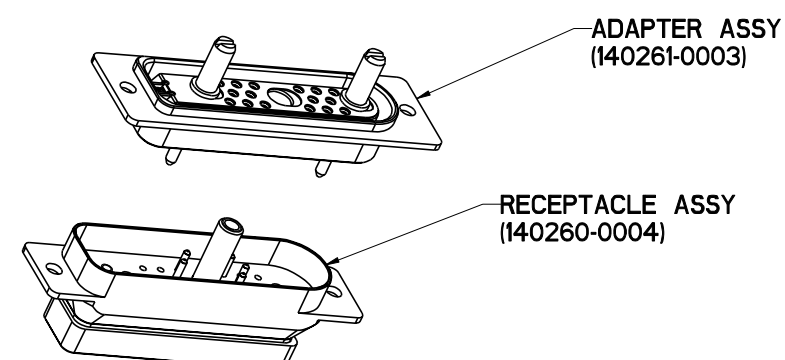
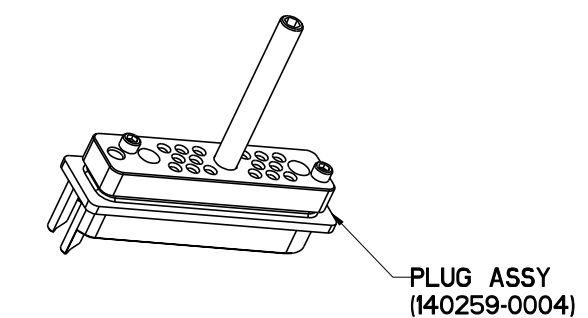
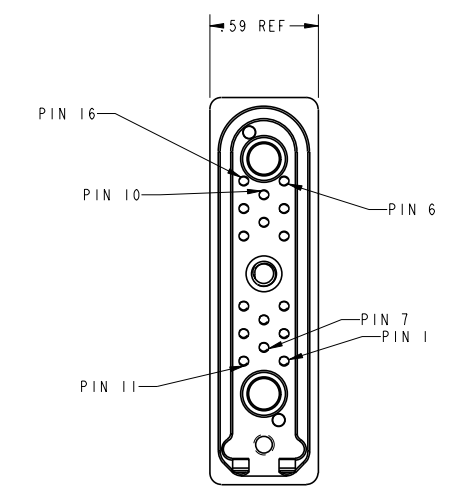
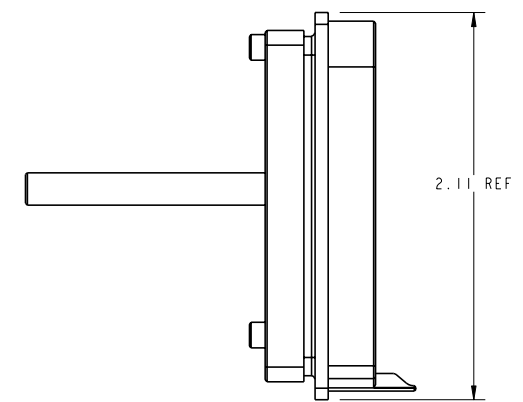


THIS IS ISSUED IN STRICT CONFIDENCE ON CONDITION THAT IT IS NOT USED AS A BASIS FOR MANUFACTURE OR SALE, AND THAT IT IS NOT COPIED, REPRINTED OR DISCLOSED TO A THIRD PARTY EITHER WHOLLY OR IN PART WITHOUT THE PRIOR WRITTEN CONSENT OF ITT CANNON.

DWG NO. 020541Y0003		SH 1	REV 1
REVISIONS			
REV	DESCRIPTION	DATE	APPROVAL



MOUNTING HARDWARE TBD.  
BASED ON CUSTOMER DEFINED  
PANEL THICKNESS



- NOTES: UNLESS OTHERWISE DESIGNATED
- A. MATERIAL: MACHINED ALUMINUM ALLOY NICKEL PLATED SHELLS  
300 SERIES STAINLESS STEEL SHUTTER PLATE  
GUIDE PINS, AND HARDWARE  
MACHINED ALUMINUM ANODIZED BACKSHELLS
- B. DESIGN FEATURES:
1. ADAPTER ASSY, INCLUDES SHUTTER PLATE
  2. CAM-ACTION PLUG ASSY INTERFACE
  3. CENTER SCREW JACKING HARDWARE FOR MATING AND UNMATING
  4. ONE WAY MATING INTERFACE
  5. BACKSHELL: DESIGN OPTIONS, STRAIGHT, RIGHT ANGLE OR 45° FIBER EXIT NOT SHOWN.
  6. SERVICABLE INTERFACE FOR TERMINUS CLEANING
  7. INDIVIDUALLY EXTRACTABLE/REPLACEABLE TERMINUS

UNLESS OTHERWISE SPECIFIED: - DIMENSIONS AND TOLERANCES AS PER ASME Y14.5M-1994 - DIMENSIONS ARE IN INCHES AND (MM) - REMOVE ALL BURRS AND SHARP EDGES .005 (0.13) MAX. - DO NOT SCALE DRAWING.		TOL DECIMALS .X ± .02 (0.51) .XX ± .01 (0.25) .XXX ± .005 (0.127) .XXXX ± .0005 (0.0127)	TOL ANGLES ° ± 1° SURFACE ROUGHNESS 63 (1.6) ✓	CRITICAL DIM SPC DIM KEY CHARACTERISTIC
DRAWN Doug Gaslineau	DATE 6/6/01	SURFACE AREA		
CHECKED Mike Finona	DATE 6/6/01	REF		
APPROVED Jim Novacoski	DATE 6/6/01	PART NO	020541Y0003	
ITC Industries ITT Cannon 666 E. DYER RD. SANTA ANA, CA 92705		SCALE 3/2	DESCRIPTION CONNECTOR ASSEMBLY PATCH PANEL, 16 WAY (MASTER), KEYED INTERFACE	
3RD ANGLE PROJECTION	SIZE D	USE C	SHEET 1 / 1	
020541Y0003			REV 1	