

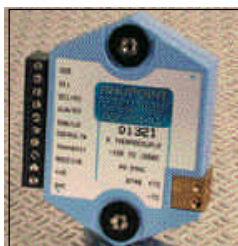
Sensor to Computer Interface Modules



The DGH analogue sensor to computer interface modules are ideal interfaces for some of Rhopoint's temperature sensors. They are complete hardware solutions for data acquisition systems based on PCs. The modules provide direct connection to a wide variety of sensors and perform all signal conditioning functions.

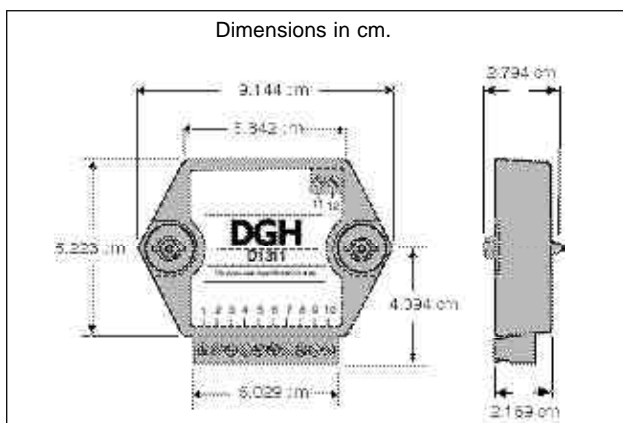
The modules operate on a single power supply input from 10V to 30V. They provide a 15-bit measurement A/D converter and discrete digital I/O bits for controlling solid state relays or sensing contact closures. The number of digital inputs and outputs varies depending on module type. The module performs A/D conversion and linearization of sensor input data. The module transmits data values in ASCII format to any host computer with a standard RS-232 port. Modules are delivered with a comprehensive user manual and setup software, and can be daisy chained.

Thermocouple Input Modules D1300 Series



The D1300 thermocouple modules convert and linearize thermocouple signals to engineering units scaled in degrees C or F. Values are communicated to host computers using a RS-232 link.

- Overall accuracy (error from all sources) from 0 to +40°C ambient: +/-1deg C max
- Resolution: 1 degree (C or F)
- Common mode rejection: 100db at 50/60 Hz
- User selectable degrees C or F scaling
- Lead resistance effect: <20µV per 350ohms
- Input burnout protection to 250 VAC
- Input impedance: 100 megohm min
- Three open-collector digital outputs
- Open thermocouple indication
- Two digital inputs, one events counter



J Type Thermocouple Input Module

| | D1311 | Order Code K3X13AA |
|---------|-------------------|-----------------------|
| Prices: | 1-9pcs £277.00 | 10+ £264.00 |

K Type Thermocouple Input Module

| | D1321 | Order Code K3X13AX |
|---------|-------------------|-----------------------|
| Prices: | 1-9pcs £277.00 | 10+ £264.00 |

T Type Thermocouple Input Module

| | D1331 | Order Code K3X13HQ |
|---------|-------------------|-----------------------|
| Prices: | 1-9pcs £277.00 | 10+ £264.00 |

E Type Thermocouple Input Module

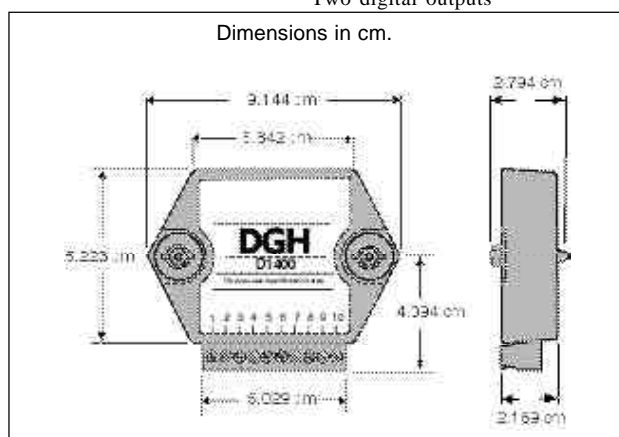
| | D1341 | Order Code K3X13LT |
|---------|-------------------|-----------------------|
| Prices: | 1-9pcs £277.00 | 10+ £264.00 |

Thermistor Input Modules D1451 Series



The D1451 thermistor input module converts thermistor signals to digital information linearizes the data and outputs it in engineering units scaled in either C or F.

- Thermistor Types: 2252 Ohm at 25°C
- Resolution: 0.1 degree (C or F)
- Accuracy: +/-0.3 deg. C
- Ranges: 0-100 degrees C
- Common mode rejection: 100db at 50/60 Hz
- User selectable degrees C or F
- Input burnout protection to 30Vdc
- One digital input/events counter (60Hz max.)
- Two digital outputs



2252Ω Thermistor Input Module

| | D1451 | Order Code K3X13PP |
|---------|-------------------|-----------------------|
| Prices: | 1-9pcs £216.00 | 10+ £206.00 |