

January 2003

DESCRIPTION

The HI-8444 and HI-8445 are quad ARINC 429 line receiver ICs available in a 20-pin TSSOP package. The HI-8448 contains 8 independent ARINC 429 line receivers. The technology is analog / digital CMOS. The device is designed to operate from either a 5V or 3.3V supply. Each receiver channel translates incoming ARINC 429 data bus signals to a pair of TTL / CMOS outputs.

The optional HI-8444-10, HI-8445-10 and HI-8448-10 are designed to be used with an external 10 Kohm series resistor. The "-10" devices meet the lightning protection requirements of DO-160C/D level 3, waveforms 3, 4, and 5A.

The TESTA and TESTB inputs bypass the analog inputs for testing purposes. They force the receiver outputs to the specified ZERO, ONE or NULL state. The ARINC inputs are ignored when the device is in the test mode.

The HI-8445 is identical to the HI-8444 except the TESTA and TESTB pins are not available.

FEATURES

- Direct ARINC 429 quad or octal line receivers in small footprint packages
- 3.3V or 5.0V single supply operation
- Test inputs bypass analog inputs and force digital outputs to a one, zero, or null state
- ARINC inputs are internally lightning protected per DO-160C/D level 3 (-10 configuration only)
- Military processing options available

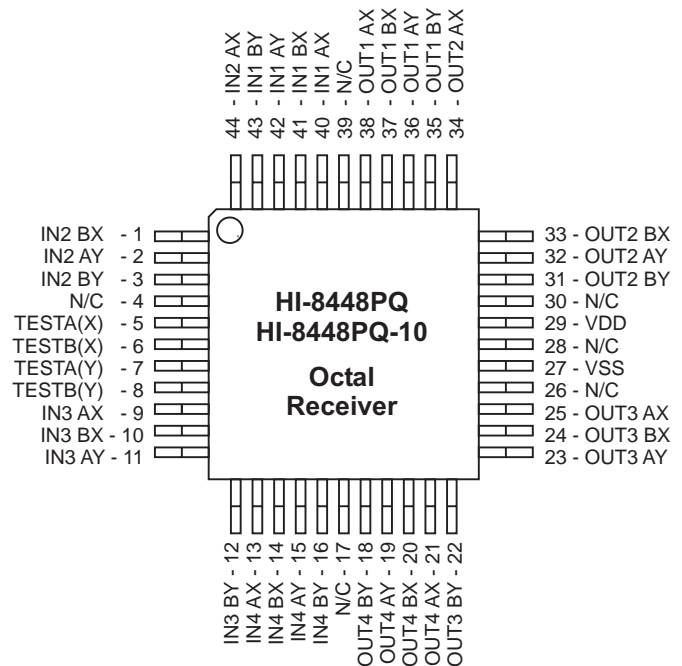
FUNCTION TABLE

ARINC INPUTS INA - INB	TESTA	TESTB	OUTA	OUTB
-2.5 to +2.5 V	0	0	0	0
< -6.5 V	0	0	0	1
> +6.5 V	0	0	1	0
X	0	1	0	1
X	1	0	1	0
X	1	1	0	0

PIN CONFIGURATIONS

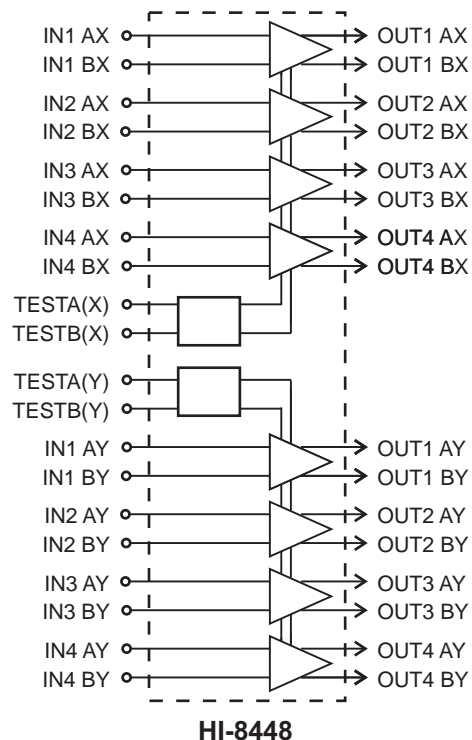
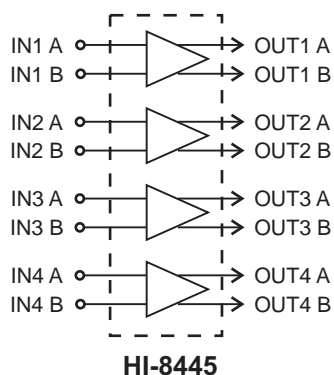
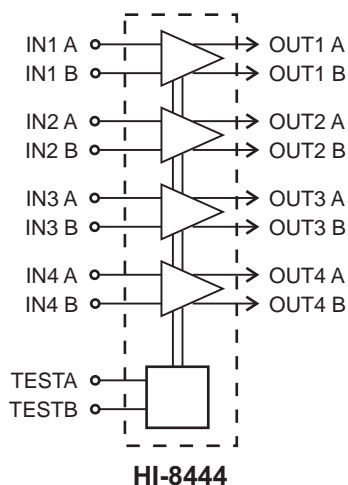
IN1 A	1	•	20	OUT1 A
IN1 B	2		19	OUT1 B
IN2 A	3	HI-8444PS	18	OUT2 A
IN2 B	4	HI-8444PS-10	17	OUT2 B
		&		
TESTA (8444 only)	5	HI-8445PS	16	VDD
TESTB (8444 only)	6	HI-8445PS-10	15	VSS
		Quad Receiver		
IN3 A	7		14	OUT3 A
IN3 B	8		13	OUT3 B
IN4 A	9		12	OUT4 A
IN4 B	10		11	OUT4 B

20 Pin Plastic TSSOP package



44-Pin Plastic Quad Flat Pack (PQFP)

BLOCK DIAGRAMS



PIN DESCRIPTIONS (HI-8444, HI-8445)

PIN	SYMBOL	FUNCTION	DESCRIPTION
1	IN1 A	ARINC input	Receiver 1 positive input
2	IN1 B	ARINC input	Receiver 1 negative input
3	IN2 A	ARINC input	Receiver 2 positive input
4	IN2 B	ARINC input	Receiver 2 negative input
5	TESTA	Logic input	Test input. (Not available on HI-8445)
6	TESTB	Logic input	Test input. (Not available on HI-8445)
7	IN3 A	ARINC input	Receiver 3 positive input
8	IN3 B	ARINC input	Receiver 3 negative input
9	IN4 A	ARINC input	Receiver 4 positive input
10	IN4 B	ARINC input	Receiver 4 negative input
11	OUT4 B	Logic output	Receiver 4 "ZERO" output
12	OUT4 A	Logic output	Receiver 4 "ONE" output
13	OUT3 B	Logic output	Receiver 3 "ZERO" output
14	OUT3 A	Logic output	Receiver 3 "ONE" output
15	VSS	Power	Ground
16	VDD	Power	Positive supply voltage 3.3V or 5.0 V
17	OUT2 B	Logic output	Receiver 2 "ZERO" output
18	OUT2 A	Logic output	Receiver 2 "ONE" output
19	OUT1 B	Logic output	Receiver 1 "ZERO" output
20	OUT1 A	Logic output	Receiver 1 "ONE" output

PIN DESCRIPTIONS (HI-8448)

PIN	SYMBOL	FUNCTION	RECEIVER SET	DESCRIPTION
1	IN2 BX	ARINC input	X	Receiver 2 negative input
2	IN2 AY	ARINC input	Y	Receiver 2 positive input
3	IN2 BY	ARINC input	Y	Receiver 2 negative input
4	N/C			Not connected
5	TESTA(X)	Logic input	X	Test input
6	TESTB(X)	Logic input	X	Test input
7	TESTA(Y)	Logic input	Y	Test input
8	TESTB(Y)	Logic input	Y	Test input
9	IN3 AX	ARINC input	X	Receiver 3 positive input
10	IN3 BX	ARINC input	X	Receiver 3 negative input
11	IN3 AY	ARINC input	Y	Receiver 3 positive input
12	IN3 BY	ARINC input	Y	Receiver 3 negative input
13	IN4 AX	ARINC input	X	Receiver 4 positive input
14	IN4 BX	ARINC input	X	Receiver 4 negative input
15	IN4 AY	ARINC input	Y	Receiver 4 positive input
16	IN4 BY	ARINC input	Y	Receiver 4 negative input
17	N/C			Not connected
18	OUT4 BY	Logic output	Y	Receiver 4 "ZERO" output
19	OUT4 AY	Logic output	Y	Receiver 4 "ONE" output
20	OUT4 BX	Logic output	X	Receiver 4 "ZERO" output
21	OUT4 AX	Logic output	X	Receiver 4 "ONE" output
22	OUT3 BY	Logic output	Y	Receiver 3 "ZERO" output
23	OUT3 AY	Logic output	Y	Receiver 3 "ONE" output
24	OUT3 BX	Logic output	X	Receiver 3 "ZERO" output
25	OUT3 AX	Logic output	X	Receiver 3 "ONE" output
26	N/C			Not connected
27	VSS	Power		Ground supply
28	N/C			Not connected
29	VDD	Power		Positive supply voltage 3.3V or 5.0 V
30	N/C			Not connected
31	OUT2 BY	Logic output	Y	Receiver 2 "ZERO" output
32	OUT2 AY	Logic output	Y	Receiver 2 "ONE" output
33	OUT2 BX	Logic output	X	Receiver 2 "ZERO" output
34	OUT2 AX	Logic output	X	Receiver 2 "ONE" output
35	OUT1 BY	Logic output	Y	Receiver 1 "ZERO" output
36	OUT1 AY	Logic output	Y	Receiver 1 "ONE" output
37	OUT1 BX	Logic output	X	Receiver 1 "ZERO" output
38	OUT1 AX	Logic output	X	Receiver 1 "ONE" output
39	N/C			Not connected
40	IN1 AX	ARINC input	X	Receiver 1 positive input
41	IN1 BX	ARINC input	X	Receiver 1 negative input
42	IN1 AY	ARINC input	Y	Receiver 1 positive input
43	IN1 BY	ARINC input	Y	Receiver 1 negative input
44	IN2 AX	ARINC input	X	Receiver 2 positive input

ABSOLUTE MAXIMUM RATINGS

Supply voltage (VDD)	-0.3 V to +7 V
Logic input voltage range	-0.3 V to +5.5 V
ARINC input voltage	-30 V to + 30 V
Driver peak output current	+1.0 A
Power dissipation at 25°C	350 mW
Solder Temperature	275°C for 10 sec
Storage Temperature	-65°C to +150°C

RECOMMENDED OPERATING CONDITIONS

Supply Voltage	
VDD	3.0 V to 5.5 V
Operating Temperature Range	
Industrial Screening	-40°C to +85°C
Hi-Temp Screening	-55°C to +125°C

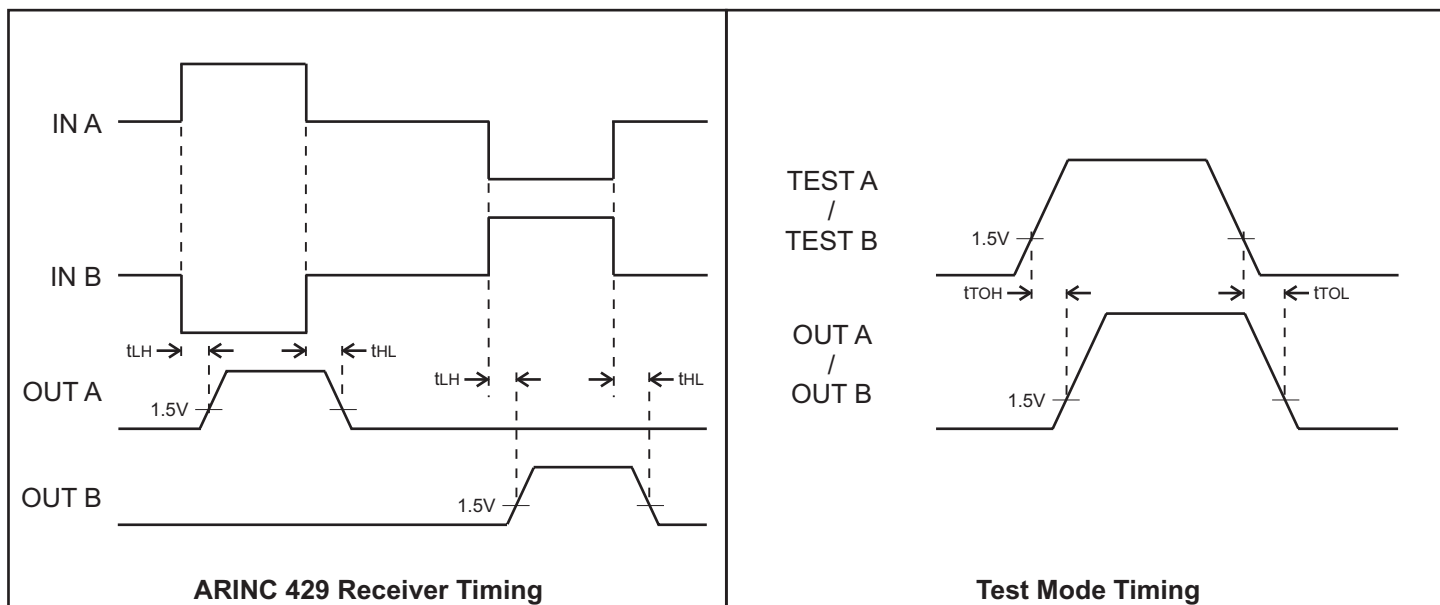
NOTE: Stresses above absolute maximum ratings or outside recommended operating conditions may cause permanent damage to the device. These are stress ratings only. Operation at the limits is not recommended.

ELECTRICAL CHARACTERISTICS

VDD = 5.0V ± 5% or 3.3V ± 5%, Vss = 0V, TA = Operating Temperature Range (unless or otherwise specified).

PARAMETER	SYMBOL	CONDITION	MIN	TYP	MAX	UNITS	
ARINC INPUTS							
Input voltage	ONE or ZERO	V _{DIN}	Differential input voltage	6.5	10	13	V
	NULL	V _{NIN}	Differential input voltage			2.5	V
	Common mode	V _{COM}	With respect to GND			±5.0	V
Input resistance	INA to INB	R _{DIFF}	Supplies floating	30	75		K
	Input to Vss or VDD	R _{SUP}	Supplies floating	19	40		K
Input hysteresis		V _{HYS}		0.5	1.0		V
Input capacitance	ARINC differential	C _{AD}			5	10	pF
	ARINC single ended to Vss	C _{AS}				10	pF
TEST INPUTS							
Logic input voltage	High	V _{IH}		2.0			V
	Low	V _{IL}				0.8	V
Logic input current	Sink	I _{IH}	V _{IH} =2.0V			200	µA
	Source	I _{IL}	V _{IL} =0.8V	-1.0			µA
OUTPUTS							
Logic output voltage	High	V _{OH}	I _{OH} =-5mA, V _{DD} =5.0V	2.4			V
			I _{OH} =-4mA, V _{DD} =3.3V	2.4			V
	Low	V _{OL}	I _{OL} =5mA, V _{DD} =5.0V			0.4	V
			I _{OL} =4mA, V _{DD} =3.3V			0.4	V
Logic output voltage (CMOS)	High	V _{OHc}	I _{OH} =-100µA	V _{DD} -0.2			V
	Low	V _{OLc}	I _{OL} =100µA			V _{SS} +0.2	V
SUPPLY CURRENT							
VDD current	I _{DD}	HI-8444, HI-8445		5.5	10		mA
		HI-8448		11	20.0		mA
SWITCHING CHARACTERISTICS (TA = 25 °C)							
Propagation delay	IN to OUT	t _{LH}	C _L =50 pF		600		ns
		t _{HL}	C _L =50 pF		600		ns
Output rise time		t _R	10% to 90%		50	80	ns
Output fall time		t _F	90% to 10%		50	80	ns
Propagation delay	TEST to OUT	t _{TOH}			50		ns
		t _{TOL}			50		ns

TIMING DIAGRAMS



INTERNAL LIGHTNING PROTECTION (-10 Only)

The HI-8444-10, HI-8445-10 and HI-8488-10 are similar to the "non -10" configurations with the exception that an external 10 Kohm resistor must be added in series with each ARINC input in order to properly detect the ARINC 429 specified input thresholds. This option is especially useful in applications where external lightning protection circuitry is required.

The HI-8444-10, HI-8445-10 and HI-8448-10 will meet the requirements of DO-160D, Level 3, waveforms 3, 4 and 5A with the 10 Kohm series resistors in place.

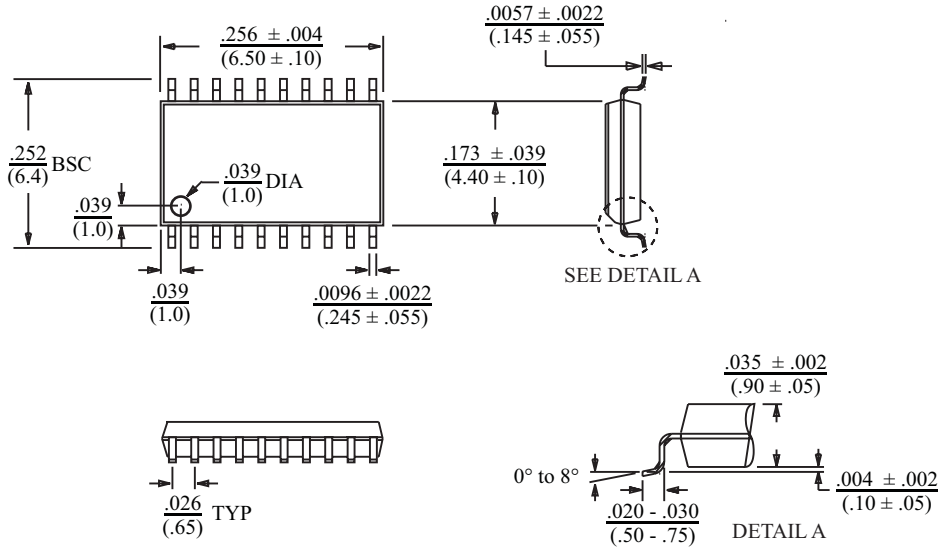
Please refer to the Holt AN-300 Application Note for additional information and recommendations on lightning protection of Holt Line Drivers and Receivers.

ORDERING INFORMATION

PART NUMBER	PACKAGE DESCRIPTION	TEMPERATURE RANGE	PROCESS FLOW	EXTERNAL RESISTOR	BURN IN	LEAD FINISH
HI-8444PSI	20 PIN PLASTIC TSSOP	-40°C TO +85°C	I	None	NO	SOLDER
HI-8444PSI-10	20 PIN PLASTIC TSSOP	-40°C TO +85°C	I	10KΩ	NO	SOLDER
HI-8444PST	20 PIN PLASTIC TSSOP	-55°C TO +125°C	T	None	NO	SOLDER
HI-8444PST-10	20 PIN PLASTIC TSSOP	-55°C TO +125°C	T	10KΩ	NO	SOLDER
HI-8445PSI	20 PIN PLASTIC TSSOP	-40°C TO +85°C	I	None	NO	SOLDER
HI-8445PSI-10	20 PIN PLASTIC TSSOP	-40°C TO +85°C	I	10KΩ	NO	SOLDER
HI-8445PST	20 PIN PLASTIC TSSOP	-55°C TO +125°C	T	None	NO	SOLDER
HI-8445PST-10	20 PIN PLASTIC TSSOP	-55°C TO +125°C	T	10KΩ	NO	SOLDER
HI-8448PQI	44 PIN PLASTIC QUAD FLATPACK (PQFP)	-40°C TO +85°C	I	None	NO	SOLDER
HI-8448PQI-10	44 PIN PLASTIC QUAD FLATPACK (PQFP)	-40°C TO +85°C	I	10KΩ	NO	SOLDER
HI-8448PQT	44 PIN PLASTIC QUAD FLATPACK (PQFP)	-55°C TO +125°C	T	None	NO	SOLDER
HI-8448PQT-10	44 PIN PLASTIC QUAD FLATPACK (PQFP)	-55°C TO +125°C	T	10KΩ	NO	SOLDER

20-PIN PLASTIC TSSOP

Package Type: 20HS



44-PIN PLASTIC QUAD FLAT PACK (PQFP)

Package Type: 44PQS

