

# INTEGRATED CONNECTOR MODULES

## 10/100Base-TX Extended Temp belCombo™ with LEDs

BM01829

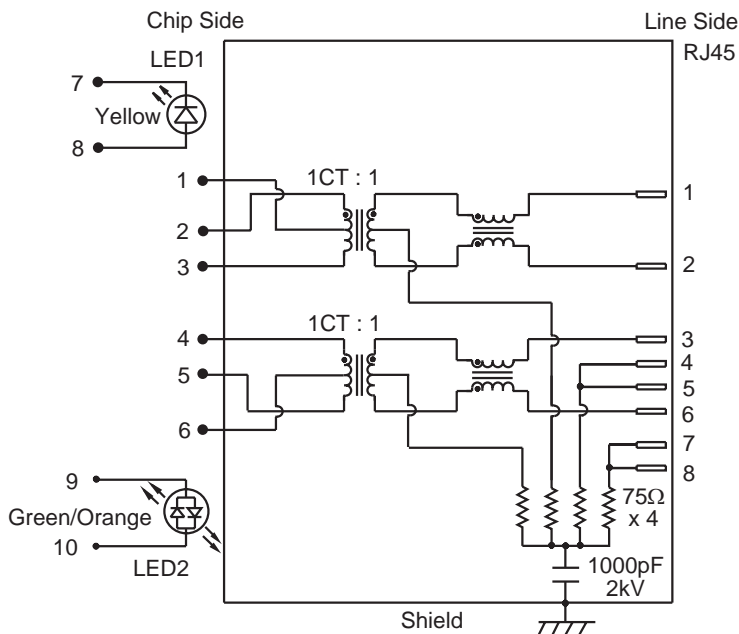
- Shielded RJ-45 connector with integrated 10/100 magnetics and dual USB connectors
- Compatible with a variety of 10/100 transceiver ICs
- Extended operating temperature -40° to +85° C
- Storage temperature -40° to +85° C
- Complies with IEEE standards and all 10/100 Ethernet specifications including 350µH with 8mA DC bias
- Highly integrated design conserves valuable board space
- Minimum interwinding breakdown voltage of 1500 Vrms
- Adaptable, modular design provides higher reliability

### ELECTRICAL SPECIFICATIONS AT 25° C

Part Number	Insertion Loss dB max	Return Loss dB min				Common to Differential Mode Rejection dB min		Common to Common Mode Rejection dB min				Crosstalk dB min			
		1MHz to 100MHz	1MHz to 30MHz	30MHz to 60MHz	60MHz to 80MHz	100kHz to 100MHz		1MHz	30MHz	50MHz	100MHz				
0812-1X1T-36	-1.0	-18	18 - 20 log (f/30MHz)	-12	-40	-30	-70	-45	-40	-35					

### SCHEMATIC

0812-1X1T-36

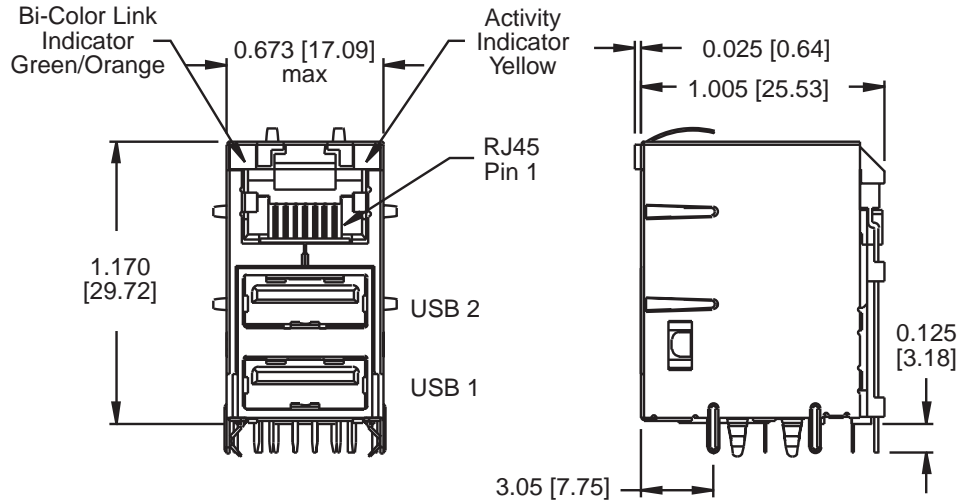


- Available Options**
- Various transformer turns ratios
  - Various high voltage capacitor values
  - Various LED color combinations

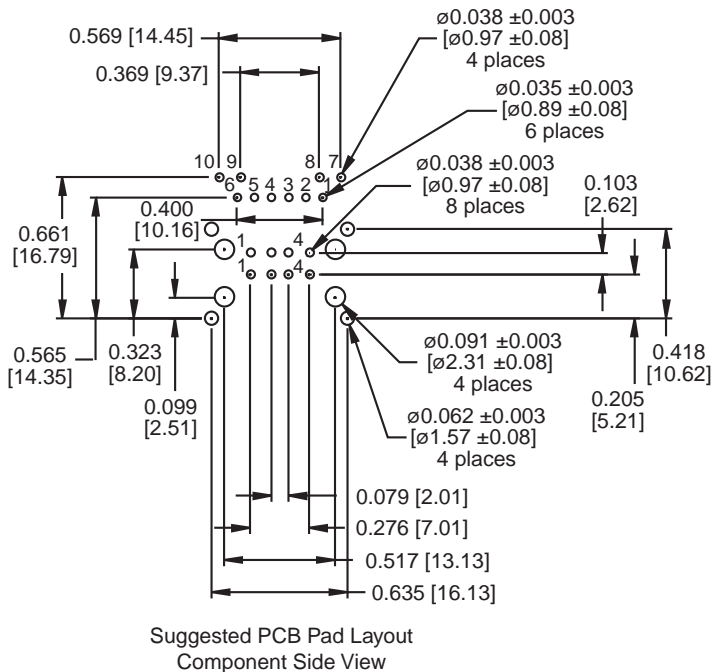
BM01829

#### MECHANICAL

0812-1X1T-36

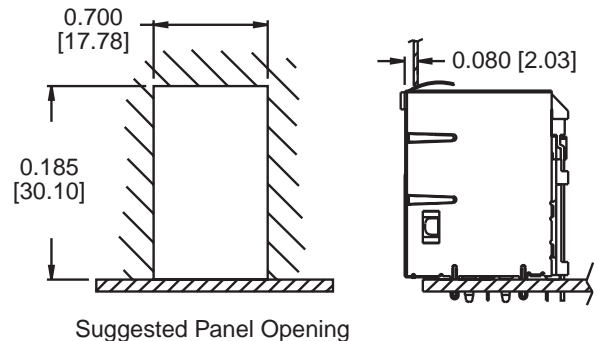


#### PAD LAYOUT



#### Notes

- |                 |   |
|-----------------|---|
| Plastic Housing | Thermoplastic, flammability rating UL 94V-0 |
| Contacts        | 50 micro-inch hard gold plating             |
| Pins            | Tin-coated copper wire, DIA 0.018" [0.46]   |
| Solderability   | Per MIL Std. 202, Method 208                |
| Metal Shield    | Tin lead plated copper alloy                |



©2001 Bel Fuse Inc. Specifications subject to change without notice. 11.01

#### CORPORATE

**Bel Fuse Inc.**  
206 Van Vorst Street  
Jersey City, NJ 07302  
Tel 201-432-0463  
Fax 201-432-9542  
www.belfuse.com

#### FAR EAST

**Bel Fuse Ltd.**  
8F / 8 Luk Hop Street  
San Po Kong  
Kowloon, Hong Kong  
Tel 852-2328-5515  
Fax 852-2352-3706  
www.belfuse.com

#### EUROPE

**Bel Fuse Europe Ltd.**  
Preston Technology Management Centre  
Marsh Lane, Suite G7, Preston  
Lancashire, PR1 8UD, U.K.  
Tel 44-1772-556601  
Fax 44-1772-888366  
www.belfuse.com