

HDSL & MDSL MAGNETICS

For Conexant Bt8960 and Bt8970

TM9955

- Optimized for use with Conexant's Bt8960 and Bt8970 transceiver ICs
- Minimum interwinding breakdown voltage of 1500 Vrms
- Designed for HDSL and MDSL environments supporting data rates from 400 Kb/s to 1168 Kb/s
- Designed to support modem, router and switch applications

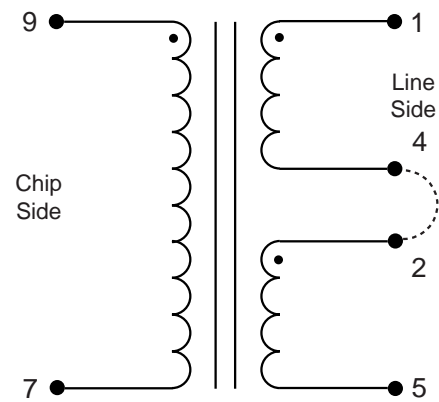
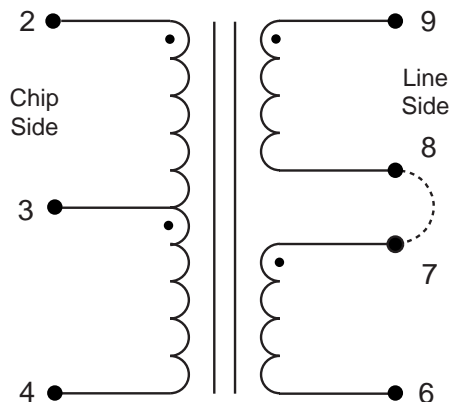
ELECTRICAL SPECIFICATIONS at 25° C

| Part Number | Turns Ratio ± 3% | Inductance mH ±10% | Leakage Inductance µH max | DCR Ω max | | Return Loss dB min | Harmonic Distortion dB typ |
|--------------|---------------------|-----------------------|---------------------------------|-----------------|-----------|------------------------|----------------------------------|
| | Chip : Line | Line Side | | Chip Side | Line Side | | 1.85Vrms |
| 0560-6600-01 | 1CT : 2CT | 2 | 4 | 2 | 4.4 | 40kHz - 300kHz 16.5 | 40kHz 70 |
| 0560-6600-02 | 1CT : 2CT | 3 | 4 | 2 | 4.4 | 40kHz - 200kHz 20 | 26kHz 70 |
| 0560-6600-03 | 1CT : 2CT | 4.5 | 8 | 2 | 4.4 | 18kHz - 132kHz 20 | 18kHz 70 |
| 0560-6600-04 | 1CT : 2CT | 5.8 | 10 | 2.4 | 5 | 13kHz - 100kHz 16.5 | 13kHz 70 |
| 0560-6600-21 | 1CT : 2CT | 3 | 5 | 2 | 5 | 40kHz - 200kHz 20 | 26kHz 70 |

SCHEMATICS

0560-6600-01
0560-6600-02
0560-6600-03
0560-6600-04

0560-6600-21

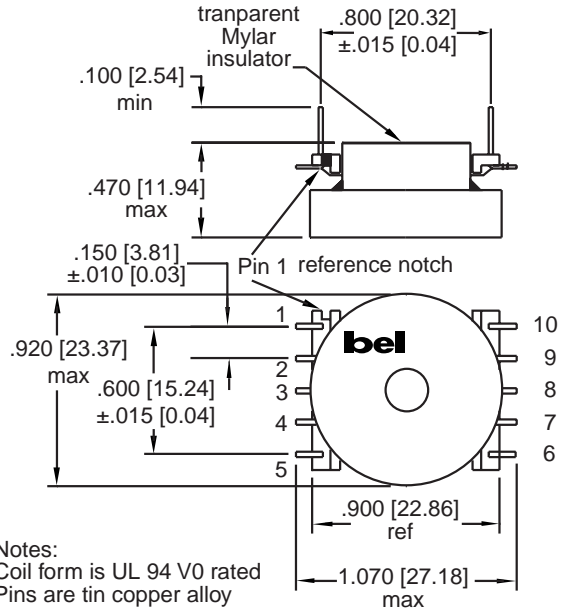


HDSL & MDSL MAGNETICS

For Conaxant Bt8960 and Bt8970

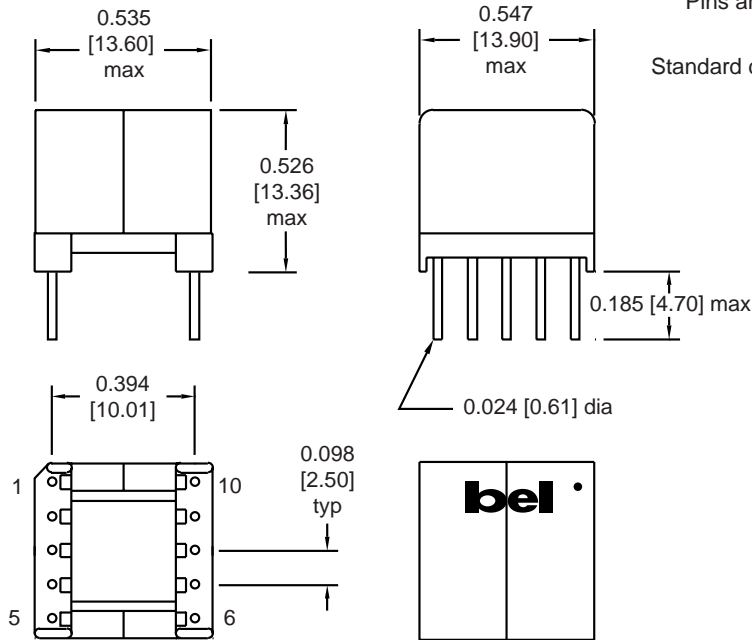
MECHANICALS

- 0560-6600-01
- 0560-6600-02
- 0560-6600-03
- 0560-6600-04



Standard dimension tolerance is ±0.005 [0.13] unless otherwise noted.

0560-6600-21



Notes:
 Coil form is UL 94 V0 rated
 Pins are tin copper alloy

Standard dimension tolerance is ±0.005 [0.13] unless otherwise noted.

CORPORATE

Bel Fuse Inc.
 198 Van Vorst Street
 Jersey City, NJ 07302
 Tel 201-432-0463
 Fax 201-432-9542
 www.belfuse.com

FAR EAST

Bel Fuse Ltd.
 8F / 8 Luk Hop Street
 San Po Kong
 Kowloon, Hong Kong
 Tel 852-2328-5515
 Fax 852-2352-3706
 www.belfuse.com

EUROPE

Bel Fuse Europe Ltd.
 Preston Technology Management Centre
 Marsh Lane, Suite F23, Preston
 Lancashire, PR1 8UD, U.K.
 Tel 44-1772-556601
 Fax 44-1772-888366
 www.belfuse.com