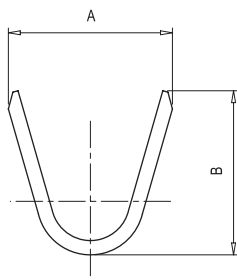
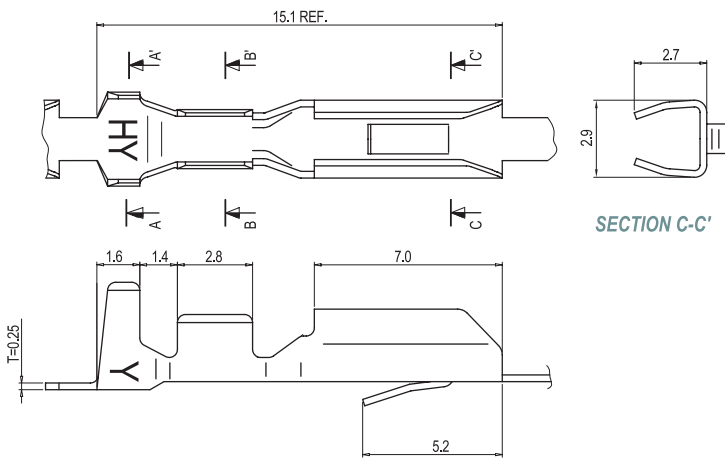
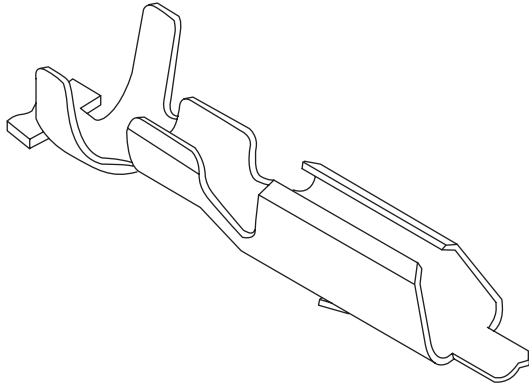


8.0mm (0.315") PITCH CONNECTOR

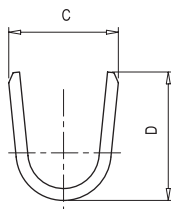
Wire-to-Board
Crimp Terminal

YDT236

End Type



SECTION A-A'



SECTION B-B'

Material

I/NO	DESCRIPTION	TITLE	AWG	MATERIAL	FINISH
1	TERMINAL	YDT236-SEB	#20~#24	Brass	Tin-Plated
		YDT236-MEB	#18~#22		
		YDT236-LEB	#16~#18		

Section Barrel

PARTS NO.	A	B	C	D
YDH236SEB	4.0	3.1	1.9	2.2
YDH236MEB	4.7	4.0	2.4	2.7
YDH236LEB	5.0	5.2	2.3	2.7

Specification

ITEM	SPEC
Voltage Rating	AC/DC 250V
Current Rating	AC/DC 7A
Operating Temperature	-25°C~+85°C
Contact Resistance	30mΩ MAX
Withstanding Voltage	AC1500V/1min
Insulation Resistance	1000MΩ MIN
Applicable Wire	AWG #16~#24
Applicable P.C.B	-
Applicable FPC/FFC	-
Solder Height	-
Crimp Tensile Strength	L-TYPE : AWG #16~#20 M-TYPE : AWG #18~#22 S-TYPE : AWG #20~#24 AWG #16 : 4.5kgfMIN AWG #18 : 4.0kgfMIN AWG #20 : 2.5kgfMIN AWG #22 : 3.0kgfMIN AWG #24 : 2.5kgfMIN
UL FILE NO	-