

TRR-8A33

Connectorized High-speed GaAs PIN

FEATURES:

- Industry standard connector of metallic ST* -type receptacle.
- Pre-aligned for multi-mode fibers.
- Bandwidth > 1.5 GHz
- Low dark current and low capacitance.



ELECTRO-OPTICAL CHARACTERISTICS:

PARAMETERS	SYMBOL	MIN	TYP	MAX	UNIT	TEST CONDITIONS
Responsivity ⁽¹⁾	R	0.35	0.4		A/W	$V_R = 5 \text{ V}$, $\lambda = 850 \text{ nm}$
Dark Current	I_D		1	2	nA	$V_R = 5 \text{ V}$
Breakdown Voltage	V_{BD}	50	85		V	$I_R = 10 \mu\text{A}$
Capacitance ⁽²⁾	C		1.2	1.5	pF	$V_R = 5 \text{ V}$, $f = 1 \text{ MHz}$

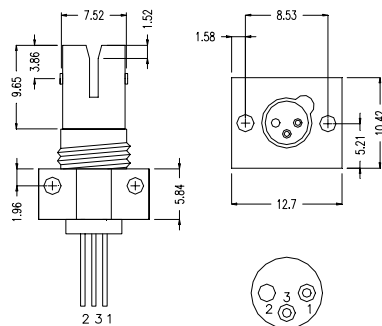
1. The responsivity is measured by using an 850 nm VCSEL as the optical light source to 50/125 um or 62.5/125 um multimode fibers.
2. Sensitive area is typical 120 μm in diameter.

ABSOLUTE MAXIMUM RATINGS:

PARAMETERS	MIN	MAX	UNIT	CONDITIONS
Storage Temperature	-40	100	°C	
Operating Temperature	-20	85	°C	
Lead Solder Temperature		260	°C	10 seconds

OUTLINE DIMENSIONS:

- Unit: mm



Pinout

1. Anode
2. NC
3. Cathode