

**Features**

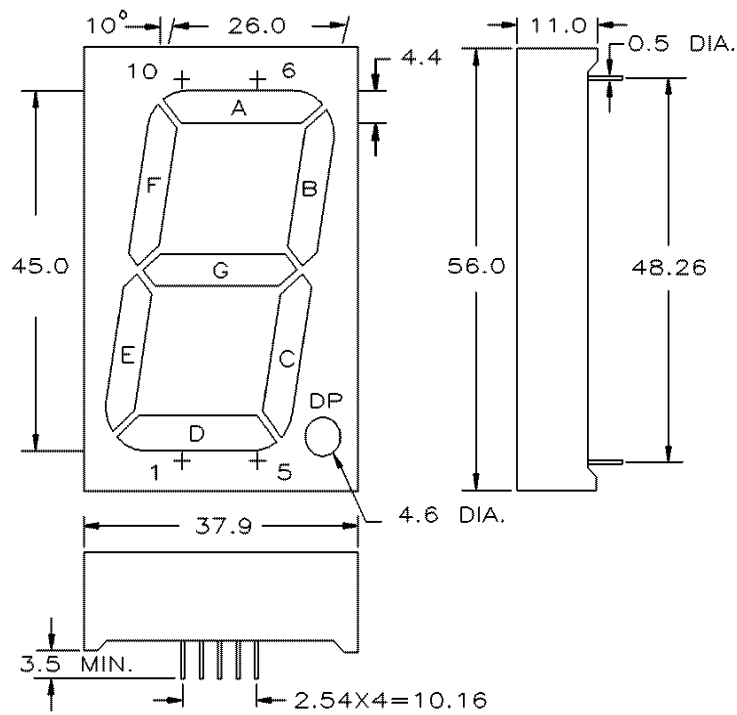
Excellent Character Appearance  
High Light Output  
IC Compatible  
Low Current Requirements  
Grey Surface/White Epoxy  
Right Hand Decimal

**Notes**

All Dimensions are in millimeters.  
Tolerance is  $\pm 0.25\text{mm}$  unless otherwise stated.  
The slope angle of any pin may be  $\pm 5.0^\circ$  MAX.  
Operating Temperature:  $-25 \sim +85$   
Storage Temperature:  $-25 \sim +100$   
Specifications are subject to change without notice.

Part Number	PWL $\lambda_p$	Material	Emitted Color	Face Colors		Maximum Ratings			Optical and Electrical Characteristics								Pin Out
				Epoxy Color	Surface Color	IF	VR	PD	Forward Voltage VF				Reverse Current IR		Luminous Intensity IV		
									typ. seg	IF@	typ. dec	IF@	max.	VR@	typ. seg	IF@	
MTN6118-AHRG	635	GaAsP	HR	White	Grey	30	5.00	85.00	6.30	20mA	2.10	20mA	100	5V	5.20	10mA	1
	567	GaP	YG	White	Grey	30	5.00	85.00	6.30	20mA	2.10	20mA	100	5V	4.60	10mA	1
MTN6118-CHRG	635	GaAsP	HR	White	Grey	30	5.00	85.00	6.30	20mA	2.10	20mA	100	5V	5.20	10mA	2
	567	GaP	YG	White	Grey	30	5.00	85.00	6.30	20mA	2.10	20mA	100	5V	4.60	10mA	2
MTN6118-CRGG	700	GaP	R	White	Grey	30	5.00	85.00	6.30	20mA	2.10	20mA	100	5V	1.20	10mA	2
	567	GaP	YG	White	Grey	30	5.00	85.00	6.30	20mA	2.10	20mA	100	5V	4.60	10mA	2
<b>Units</b>	nm	-	-	-	-	mA	V	mW	V	-	V	-	$\mu$ A	-	mcd	-	-

**Package Dimensions and Pin Functions**



**PINOUT 1**

COMMON ANODE

- | PIN NO. | FUNCTION                 |
|---------|--------------------------|
| 1.      | COMMON ANODE (HR OR RED) |
| 2.      | CATHODE E                |
| 3.      | CATHODE D                |
| 4.      | CATHODE C                |
| 5.      | COMMON ANODE (GREEN)     |
| 6.      | CATHODE B                |
| 7.      | CATHODE A                |
| 8.      | CATHODE DP               |
| 9.      | CATHODE F                |
| 10.     | CATHODE G                |

**PINOUT 2**

COMMON CATHODE

- | PIN NO. | FUNCTION                   |
|---------|----------------------------|
| 1.      | COMMON CATHODE (HR OR RED) |
| 2.      | ANODE E                    |
| 3.      | ANODE D                    |
| 4.      | ANODE C                    |
| 5.      | COMMON CATHODE (GREEN)     |
| 6.      | ANODE B                    |
| 7.      | ANODE A                    |
| 8.      | ANODE DP                   |
| 9.      | ANODE F                    |
| 10.     | ANODE G                    |

