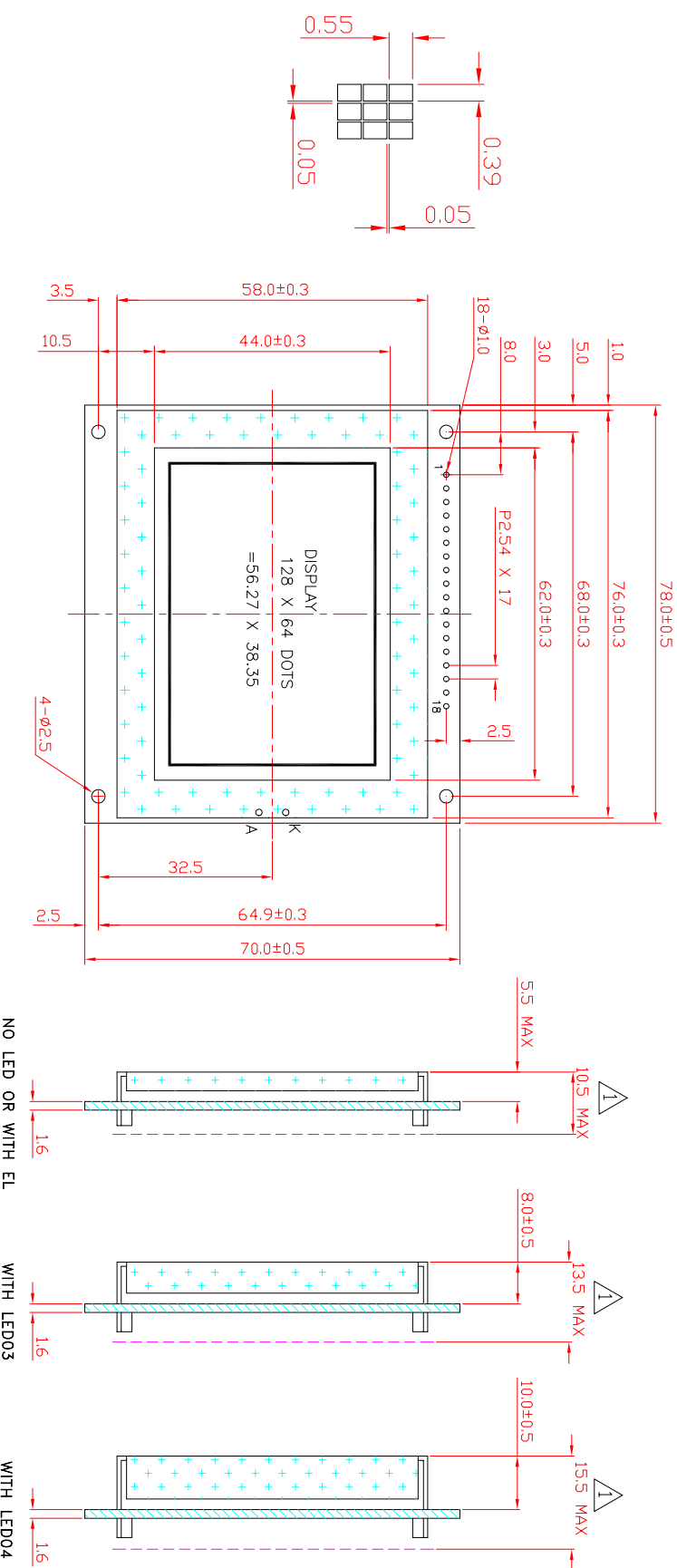
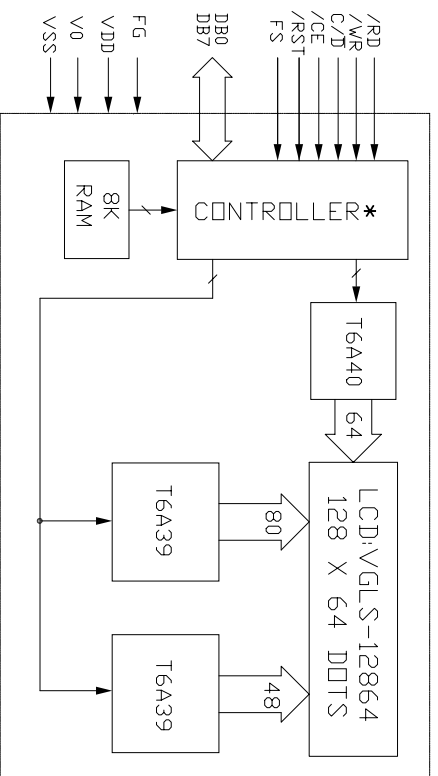


ISSUE	AMENDMENT	DATE
①	ADD NOTES UPDATE DIMENSION	02.01.22
②	ADD LED05	03.07.21



1	2	3	4	5	6	7	8	9	10	11	12	13	14	15	16	17	18
FG	VSS	VDD	V0	/WR	/RD	/CE	C/D	/RST	DB0	DB1	DB2	DB3	DB4	DB5	DB6	DB7	FS

NOTES:
 ① SPECIAL CHARACTERISTIC
 “+” SAFETY CHARACTERISTIC
 “<” REFERENCE ONLY
 “▽” CRITICAL DIMENSION



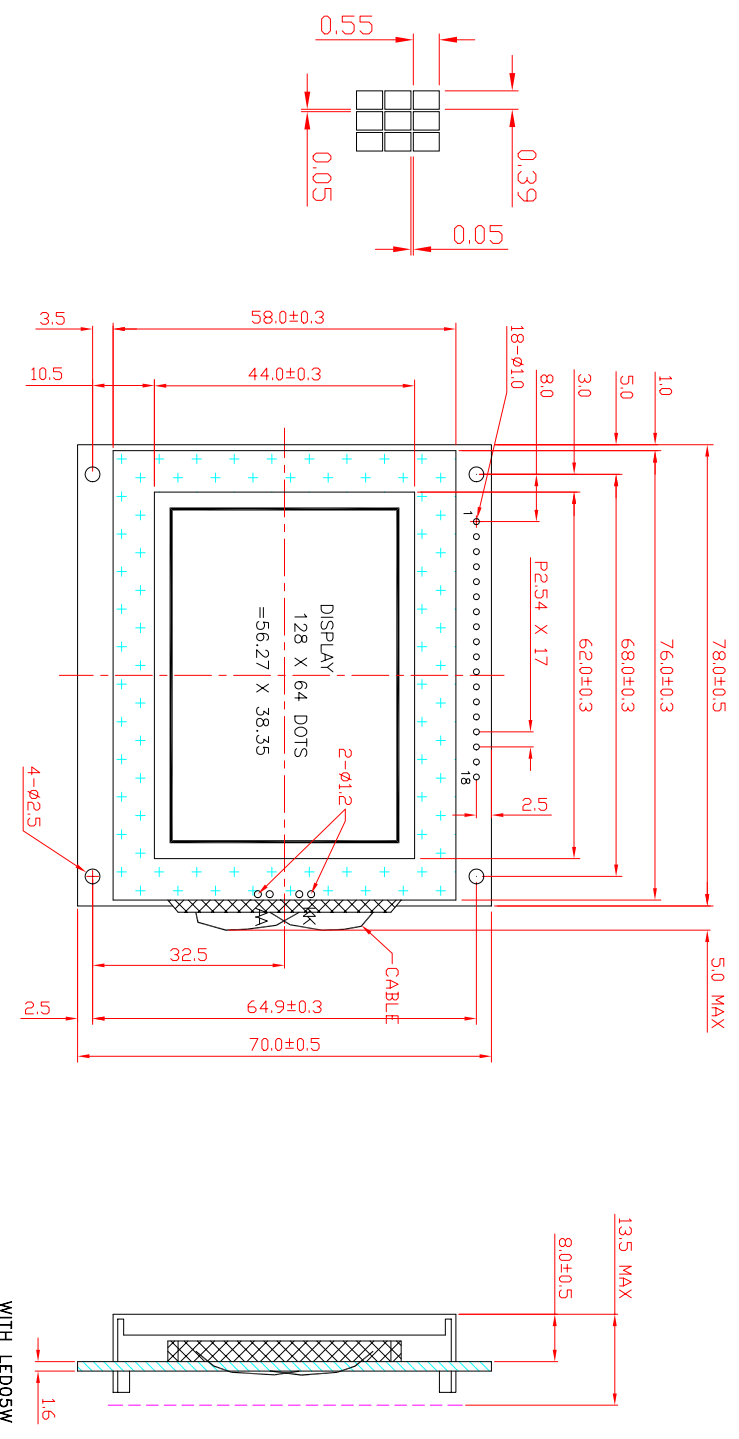
* T6A39C OR EQUIVALENT

TITLE: SPECIFICATION OF MODULE			
PROJECT NO: MGLS-12864T			
TOLERANCE UNLESS OTHERWISE SPECIFIED:		X.X ±0.3	
DIMENSIONS IN MM		X.XX ±0.1	
MATERIAL:		FINISH:	
SCALE: DO NOT ON SCALE THICKNESS:			
THIRD ANGLE PROJECTION			
DRAWN	NAME	SIGN	DATE
CHECKED	LUO XIAN GANG		03.07.21
APPROVED	ZHOU CHUN HUA		
	CHARM		
ITEM NO. MGLS12864T-XX			
DESCRIPTION: MGLS-12864T			
FILE NO: MGLS-12864T-XX R2.DWG/REV 2			
SHEET 1 OF 2			

VARITRONIX LIMITED



ISSUE	AMENDMENT	DATE
1	ADD NOTES UPDATE DIMENSION	02.01.22
2	ADD LED05	03.07.21



1	2	3	4	5	6	7	8	9	10	11	12	13	14	15	16	17	18
FG	VSS	VDD	V0	/WR	/RD	/CE	C/D	/RST	DB0	DB1	DB2	DB3	DB4	DB5	DB6	DB7	FS

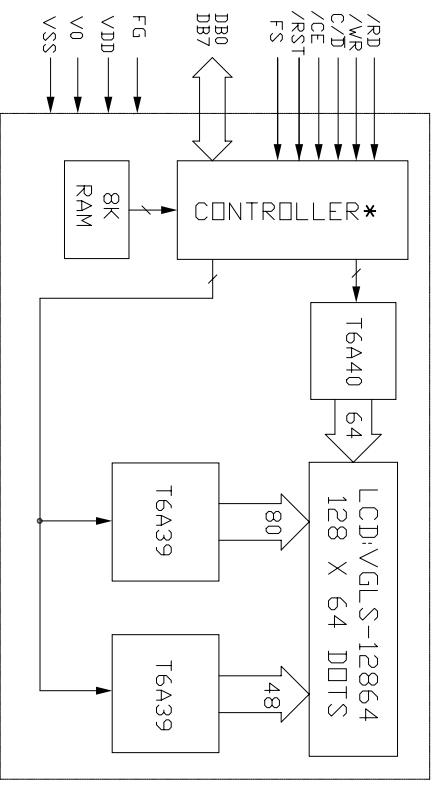
NOTES:

1. SPECIAL CHARACTERISTIC

2. SAFETY CHARACTERISTIC

3. REFERENCE ONLY

4. CRITICAL DIMENSION



* T6963C OR EQUIVALENT



VARRITRONIX LIMITED

TITLE: SPECIFICATION OF MODULE

PROJECT NO: MGLS-12864T

TOLERANCE UNLESS OTHERWISE SPECIFIED:
X.X ±0.3
X.XX ±0.1

DIMENSIONS IN MM
MATERIAL: FINISH:
SCALE: DO NOT ON SCALE THICKNESS:

THIRD ANGLE PROJECTION			
DRAWN	NAME	SIGN	DATE
CHECKED	LUO XIAN GANG		03.07.21
APPROVED	ZHOU CHUN HUA		
	CHARM		

ITEM NO. MGLS12864T-XX

DESCRIPTION: MGLS-12864T

FILE NO: MGLS-12864T-XX R2.DWG/REV 2