

MAXIM

MAX6470 Evaluation Kit

General Description

The MAX6470 evaluation kit (EV kit) circuit features the MAX6470 low-dropout linear regulator with an integrated microprocessor reset output signal. The circuit provides a preset 3.3V output from a 3.6V to 5.5V input range and delivers 300mA of load current. The MAX6470 EV kit is a fully assembled and tested surface-mount circuit board that accommodates the MAX6470 IC in both the 6-pin SOT23 and 8-pin QFN packages. The EV kit board can also be used to evaluate the MAX6469–MAX6476 linear regulators. For output voltages less than 3.3V, the input voltage range can go down to 2.5V.

Component List

DESIGNATION	QTY	DESCRIPTION
C1	1	1 μ F \pm 10%, 6.3V X5R ceramic capacitor (0603) Taiyo Yuden JMK107BJ105KA or TDK C1608X5R1A105K
C2	1	3.3 μ F \pm 10%, 6.3V X5R ceramic capacitor (0805) Taiyo Yuden JMK212BJ335KG or TDK C2012X5R1A335K
C3	0	Not installed, capacitor (0603)
C4	0	Not installed, capacitor (0805)
R1, R2, R4, R5	0	Not installed, resistors (0603)
R3	1	100k Ω \pm 5% resistor (0603)
U1	1	MAX6470UT33BD3 (6-pin SOT23), top mark ABFG
U2	0	Not installed (8-pin QFN)
JU1, JU2	2	3-pin headers
None	2	Shunts (JU1, JU2)
None	1	MAX6470 PC board
None	1	MAX6470 data sheet
None	1	MAX6470 EV kit data sheet

Features

- ◆ Preset 3.3V Output
- ◆ Adjustable Output Voltage (1.2V to 5V)
- ◆ 300mA Output Current
- ◆ 57mV (typ) Dropout Voltage at 150mA Output Current
- ◆ Microprocessor $\overline{\text{RESET}}$ Output Signal with Timeout Period
- ◆ Supports 6-Pin SOT23 and 8-Pin QFN Packages
- ◆ Fully Assembled and Tested

Ordering Information

PART	TEMP RANGE	IC PACKAGE
MAX6470EVKIT	0°C to +70°C	6 SOT23

Quick Start

The MAX6470 EV kit is fully assembled and tested. Follow these steps to verify board operation. **Do not turn on the power supply until all connections are completed.**

- 1) Verify that shunts are installed across pins 1 and 2 of jumpers JU1 (SHDN) and JU2 ($\overline{\text{RESET}}$).
- 2) Connect voltmeters to the VOUT and $\overline{\text{RESET}}$ PC board pads.
- 3) Connect a 3.6V to 5.5V DC power supply to the VIN pad. Connect the supply ground to the GND pad.
- 4) Turn on the power supply.
- 5) Verify that VOUT and $\overline{\text{RESET}}$ each measure 3.3V.
- 6) Decrease the power supply to 2.8V.
- 7) Verify that $\overline{\text{RESET}}$ measures approximately 0V.

Component Suppliers

SUPPLIER	PHONE	FAX	WEBSITE
Taiyo Yuden	800-348-2496	847-925-0899	www.t-yuden.com
TDK	847-803-6100	847-390-4405	www.component.tdk.com

Note: Please indicate that you are using the MAX6470 when contacting these component suppliers.

MAX6470 Evaluation Kit

Detailed Description

The MAX6470 EV kit is a fully assembled surface-mount circuit board that contains the MAX6470 low-dropout linear voltage regulator. The circuit operates with a 3.6V to 5.5V supply range and is preset for an output voltage of 3.3V. The EV kit can supply up to 300mA of load current. At an output of 3.3V and 300mA load current, the maximum dropout voltage is 114mV. The preset output voltage can be adjusted by reconfiguring the feedback circuitry on the board.

The MAX6470 EV kit board can evaluate the MAX6469–MAX6476 low-dropout linear regulators in SOT23 or QFN packages with the preset output voltages ranging from 1.5V to 3.3V in 100mV increments. These devices consume only 82μA (typ) of supply current while providing up to 300mA of output current.

Adjusting the Output Voltage

V_{OUT} can be adjusted by cutting open the trace across resistor R2 and installing feedback resistors R1 and R2. The equation to adjust the output voltage is the following:

$$V_{OUT} = V_{SET}(1 + (R1/R2))$$

where V_{SET} = 1.23V

Resistor R2 must be 50kΩ or less to maintain stability, accuracy, and high-frequency power-supply rejection. V_{OUT} can be adjusted from 1.23V (V_{SET}) to 5V.

Shutdown Input

The EV kit features a logic $\overline{\text{SHDN}}$ input that allows the regulator to shut down, thus reducing the total input current consumption of the device. In shutdown mode, the pass transistor, control circuit, reference, and all biases are turned off, reducing the supply current to below 1μA. Jumper JU1 can be used to shutdown or enable the linear regulator. See Table 1 for jumper JU1 configurations.

Table 1. Jumper JU1

SHUNT LOCATION	$\overline{\text{SHDN}}$ PIN	EV KIT OPERATION
1 and 2	Connected to VIN	U1 enabled
2 and 3	Connected to GND	Shutdown mode
None	Connected to external controller	External controller sets mode

Reset Output

The microprocessor supervisory reset circuitry is fully integrated into the MAX6470OUT_ _BD3 ICs. The open-drain $\overline{\text{RESET}}$ output asserts a logic low when V_{OUT} is 12.5% below the nominal voltage output. The circuit also asserts the $\overline{\text{RESET}}$ output during power-up, power-down, and brownout conditions. Jumper JU2 is provided to pull the $\overline{\text{RESET}}$ signal up to V_{OUT} or to an external voltage connected to the VREF pad. See Table 2 for jumper JU2 configuration.

Table 2. Jumper JU2

SHUNT LOCATION	EV KIT OPERATION
1 and 2	$\overline{\text{RESET}}$ logic high = V _{OUT}
2 and 3	$\overline{\text{RESET}}$ logic high = external VREF

PC Board Dual Circuitry

The MAX6470 PC board accommodates the MAX6469–MAX6476 ICs in both a 6-pin SOT23 package and an 8-pin QFN package. The MAX6470 board layout features the dual circuitry in parallel. The SOT23 circuit is populated and fully functional. The QFN circuit is left unpopulated of all components. The two PC board circuits share all the input and output connections except for the resistor feedback networks.

To evaluate the IC in the QFN package, remove the linear regulator U1 and install the QFN package on the U2 PC board pad. The preset output can now be evaluated. If the output voltage needs to be adjusted, cut the trace on R5 and install resistors R4 and R5 to configure the desired output voltage at V_{OUT}. It is recommended that capacitors C1 and C2 be removed and capacitors C3 and C4 be installed to reduce trace impedance from the input and output connections. Output capacitors C3 and C4 must be low-ESR components. It is also recommended for capacitor C4 to be a minimum of 3.3μF.

Additional Features

The MAX6469–MAX6476 ICs are similar but do differ in their pinout configurations. For specific pinout information, refer to the MAX6469–MAX6476 data sheet.

MAX6470 Evaluation Kit

Evaluates: MAX6469-MAX6476

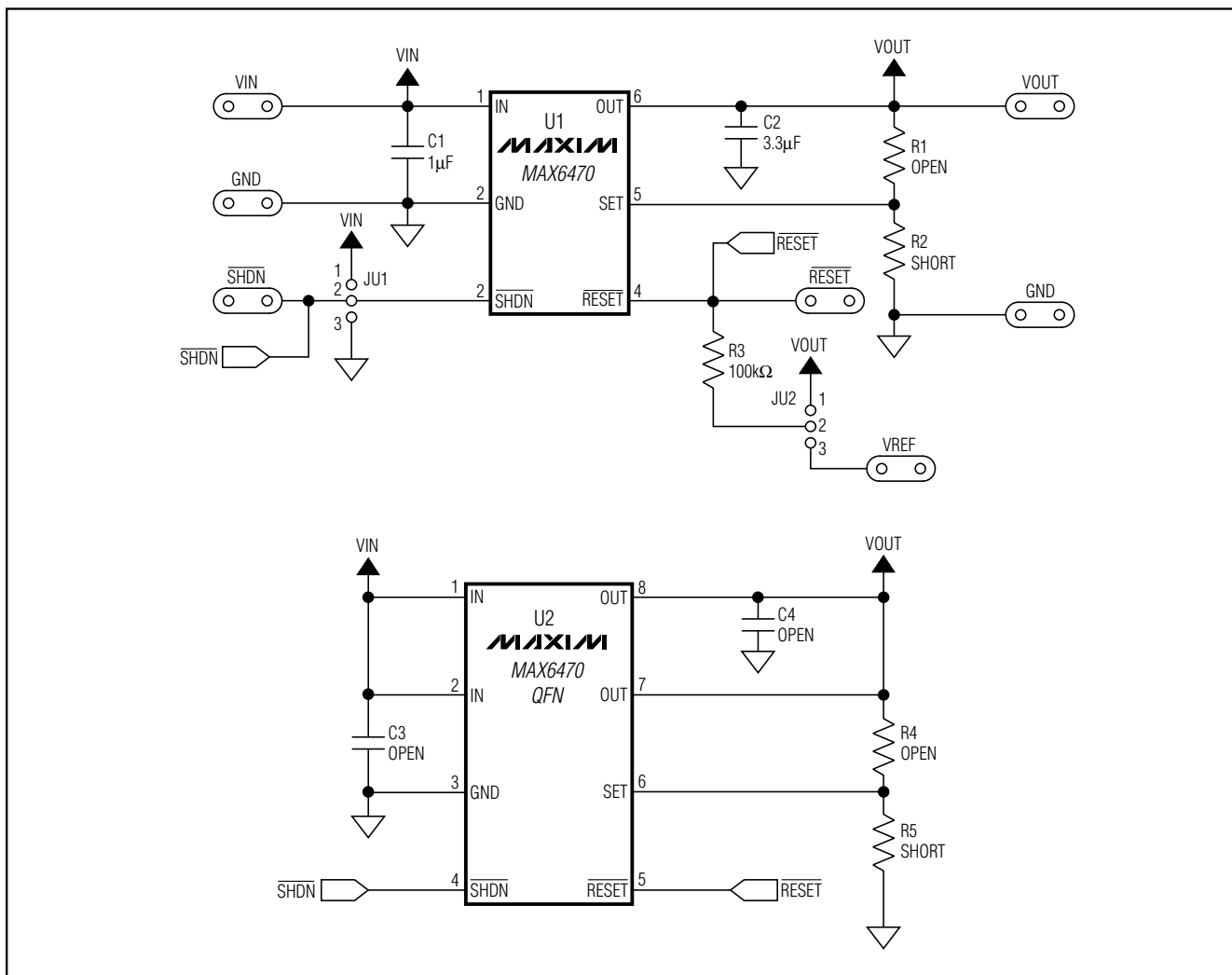


Figure 1. MAX6470 EV Kit Schematic

MAX6470 Evaluation Kit

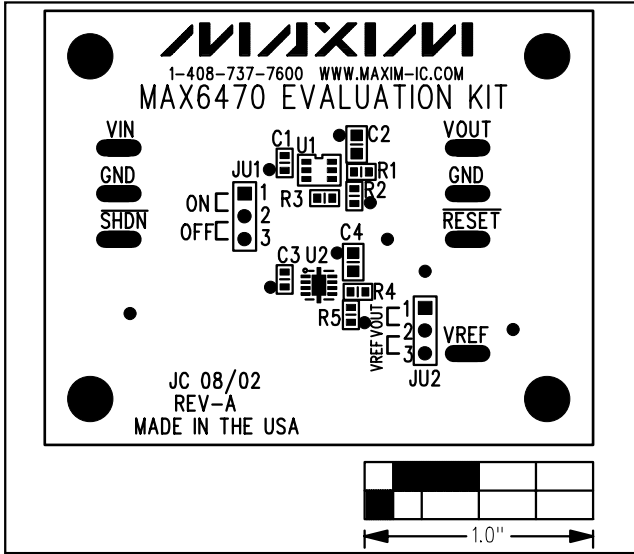


Figure 2. MAX6470 EV Kit Component Placement Guide—Component Side

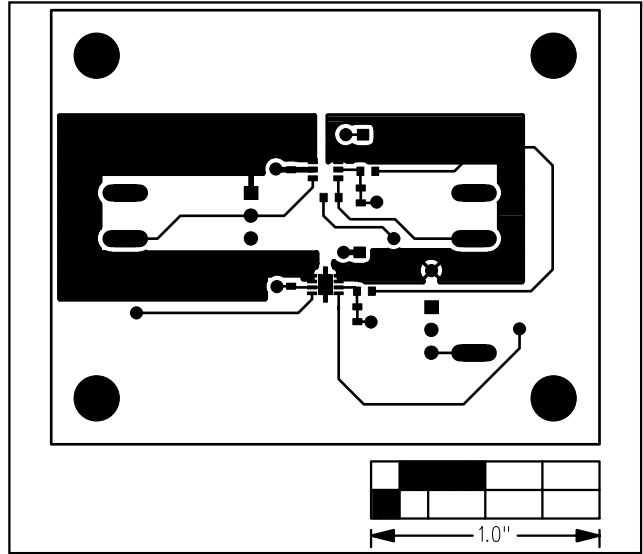


Figure 3. MAX6470 EV Kit PC Board Layout—Component Side

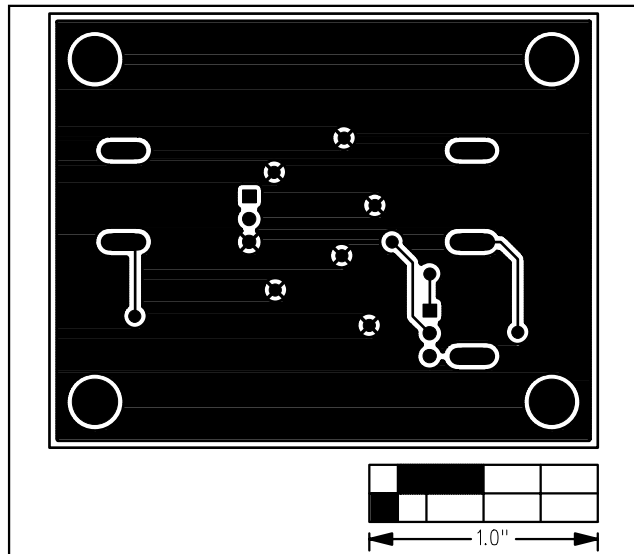


Figure 4. MAX6470 EV Kit PC Board Layout—Solder Side

Maxim cannot assume responsibility for use of any circuitry other than circuitry entirely embodied in a Maxim product. No circuit patent licenses are implied. Maxim reserves the right to change the circuitry and specifications without notice at any time.

4 _____ **Maxim Integrated Products, 120 San Gabriel Drive, Sunnyvale, CA 94086 408-737-7600**