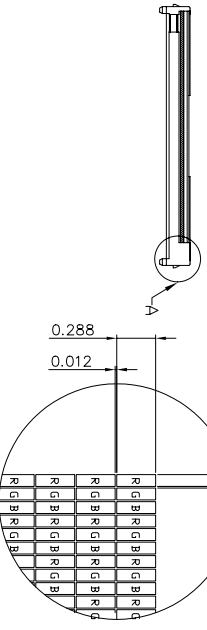
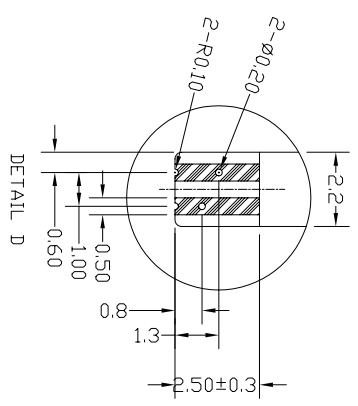
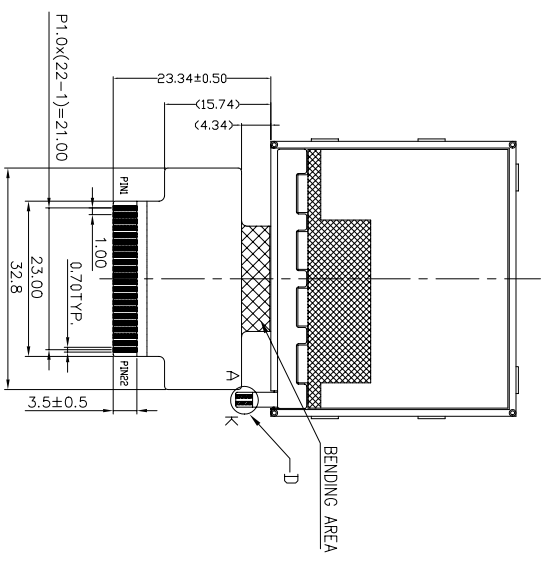
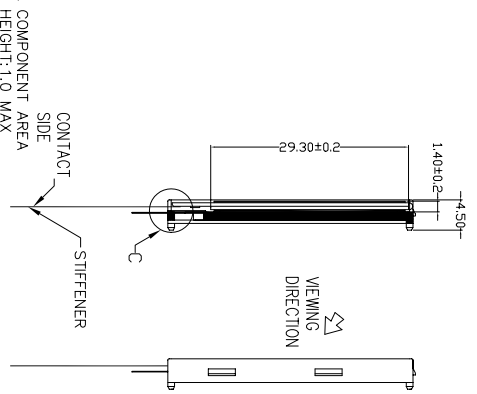
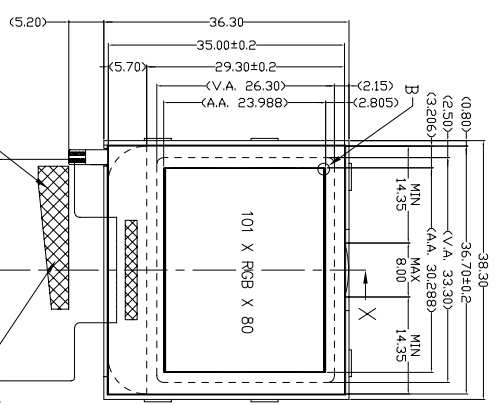
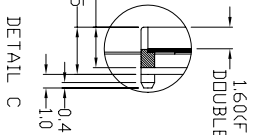
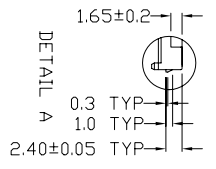
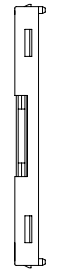


THE DRAWING ON THIS PRINT AND INFORMATION THEREWITH ARE PROPRIETARY TO VARRTRONIX AND SHALL NOT BE USED IN WHOLE OR IN PART WITHOUT WRITTEN PERMISSION OF VARRTRONIX.



(RGB SIZE FOR CUSTOMER REFERENCE ONLY)

PIN ASSIGNMENT:

| | | | | | | | | | | | | | | | | | | | |
|----|------|------|-----|----|-----|-----|----|----|----|----|----|----|----|----|----|----|----|-----|-----|
| 1 | 2 | 3 | 4 | 5 | 6 | 7 | 8 | 9 | 10 | 11 | 12 | 13 | 14 | 15 | 16 | 17 | 18 | 19 | 20 |
| NC | OTPD | OTPG | MPU | NC | RST | CSI | KS | WR | RD | D0 | D1 | D2 | D3 | D4 | D5 | D6 | D7 | GND | VDD |

- NOTES:
- 1. ∅ : SPECIAL CHARACTERISTIC
 - 2. + : SAFETY CHARACTERISTIC
 - 3. ∇ : CRITICAL DIMENSION
 - 4. () : REFERENCE DIMENSION

| | |
|----------------------------|-----------------------------------|
| DISPLAY TYPE | 1.52" COLOR STN.-VE. TRANSMISSIVE |
| DISPLAY RESOLUTION | 101 X RGB X 80 |
| VIEWING ANGLE | 12 O' CLOCK |
| PIXEL RATIO AND BIAS RATIO | 1/80 DUTY, 1/9 BIAS |
| LCD CONTROLLER/DRIVER | S6B33B2A01-B08CY |
| LOGIC VOLTAGE | TBD |
| LCD DRIVING VOLTAGE | TBD |
| OPERATION TEMPERATURE | -20°C to +70°C |
| STORAGE TEMPERATURE | -30°C to +80°C |
| BACKLIGHT | LEDS |
| TYPE | WHITE |
| COLOR | WHITE |
| WAVELENGTH | TBD |
| VOLTAGE | TBD |
| LUMINANCE | TBD |
| | TYP. TBD |
| | MAX. TBD |

REMARKS:

PRELIMINARY

TITLE: SPECIFICATION OF MODULE
PROJECT NO: COG-C152MVI

CUSTOMER REF: IN
TOLERANCE UNLESS OTHERWISE SPECIFIED: XXX ±0.3
DIMENSIONS IN MM ANGL. AR ± 1°
MATERIAL: N/A FINISH: N/A
SCALE: DO NOT DR. SCALE OVERALL THK: N/A
THIRD ANGLE PROJECTION

DRAWN: MICHAEL YEUNG
CHECKED: DENG JUN
APPROVED: ALFRED

DESCRIPTION: COG-C152MVI-01
FILE NO: COG-C152MVI-01 R1 REV: 1
SHEET 1 OF 1



VARRTRONIX LIMITED