

APC Laser Diode™

Perfect Solution For Auto Power Controlled Laser Diode

By converting the external APC circuit board into an ASIC, we package the APC circuit into a traditional TO-can together with the laser chip. From now on, single package APC function included laser diode is realized.

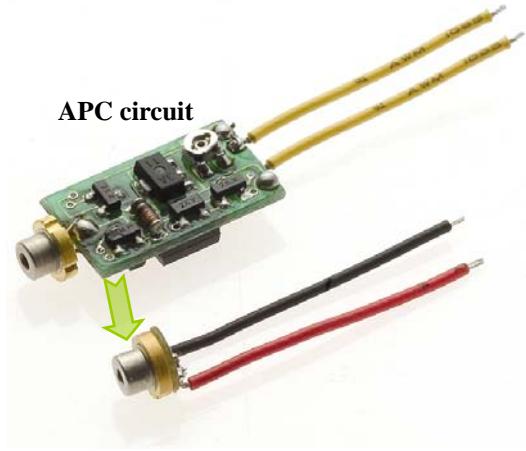
Powered with Arima's proprietary **APC Laser Diode™** technology, **ADL-65055SA2** is your perfect solution for the stable light power output, compact size, high brightness laser light source.

Features:

1. 3.3mm package and 650nm 5mW 50°C operation
2. Smallest size of laser module in the world
3. Voltage driven LD, easy to use
4. Highly stable laser output power

Applications:

1. General purpose red laser light source
2. Industrial laser markers / measuring instruments
3. Laser pointer



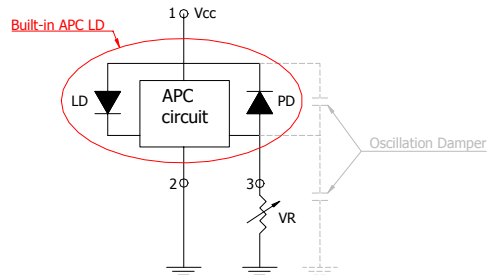
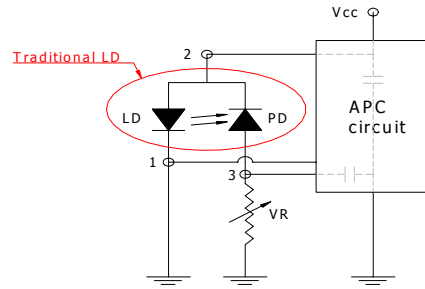
ADL-65077SA2 Electrical-Optical Characteristics @T_c=25°C:

Item	Symbol	Min.	Typ.	Max	Unit	Condition
Wavelength	λ	645	655	660	nm	P _o =5mW
Operation voltage	V _{cc}	3.0	4.5	6	Volt	
Operation current	I _{op}	-	40	50	mA	P _o =5mW
Variable resistor	VR	-	5	10	K Ω	V _{cc} =6V
Parallel divergence angle	$\theta_{ }$	6	9	11	Deg	P _o =5mW
Perpendicular divergence angle	θ_{\perp}	24	28	38	Deg	
Parallel FFP deviation angle	$\Delta \theta_{ }$	-3.0	0	+3.0	Deg	
Perpendicular FFP deviation angle	$\Delta \theta_{\perp}$	-3.0	0	+3.0	Deg	
Emission point accuracy	$\Delta x \Delta y \Delta z$	-80	0	+80	um	-
Power-Temp stability (25~50°C)	ΔP_{oT}	-	-10	0	%	Po=5mW,Vcc=6.0V
Power-V _{cc} stability (6.0~3.5V)	ΔP_{oV}	-	-10	0	%	Po=5mW,Temp=50 °C

Maximum Ratings:

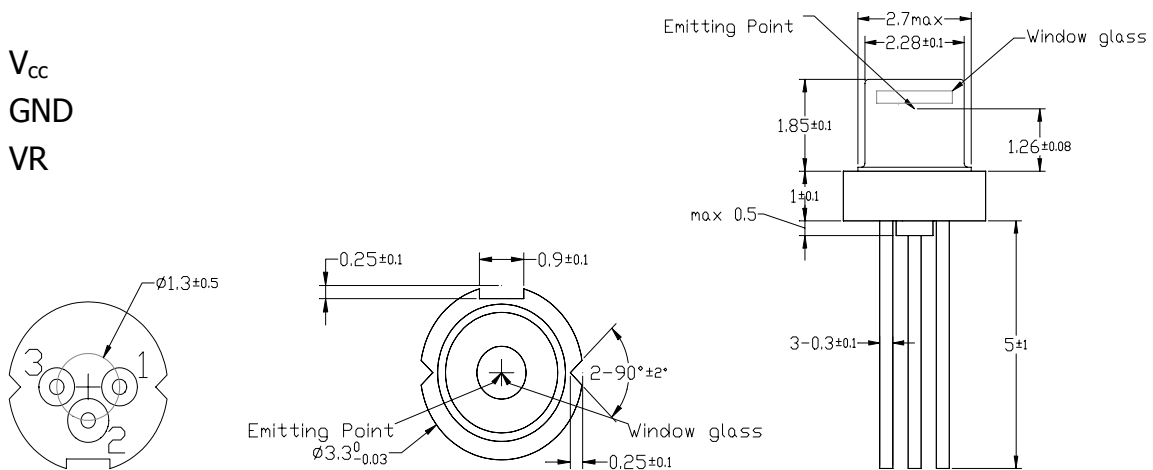
Item	Symbol	Rating	Unit
Power supply voltage	V _{cc}	3.0-6.0	V
Laser optical output power	P _o	7.0	mW
Operation temperature	T _{opr}	-10 ~ +50	°C
Storage temperature	T _{stg}	-40 ~ +85	°C

1. Traditional LD needs to connect an external APC circuit board for the constant power operation. The VR (variable resistor) is used to adjust the laser output to a desired target power.
2. **ADL-65055SA2** consists an APC IC inside the **TO-3.3mm** package, and leave the VR outside for adjusting the optical output power.
3. Oscillation Damper is recommended for stabilizing the optical output power.



Outline Dimension & Pin Assignment:

1. V_{CC}
2. GND
3. VR



Laser Safety Precautions

1. To protect laser from overdriving condition, setting VR to maximum value before you turn on Vcc can minimized the laser output power.
2. Do not operate the device above the maximum rating condition, even momentarily. It may cause unexpected permanent damage to the device.
3. Semiconductor laser device is very sensitive to electrostatic discharge. High voltage spike current may change the characteristics of the device, or malfunction at any time during its service period. Therefore, proper measures for preventing electrostatic discharge are strongly recommended.
4. To obtain a stable characteristic and good reliability, the effective heat sink is necessary. So it is recommended that always apply proper heat sink before the device is operating.-
5. Do not look into the laser beam directly by bare eyes. The laser beam may cause severe damage to human eyes.