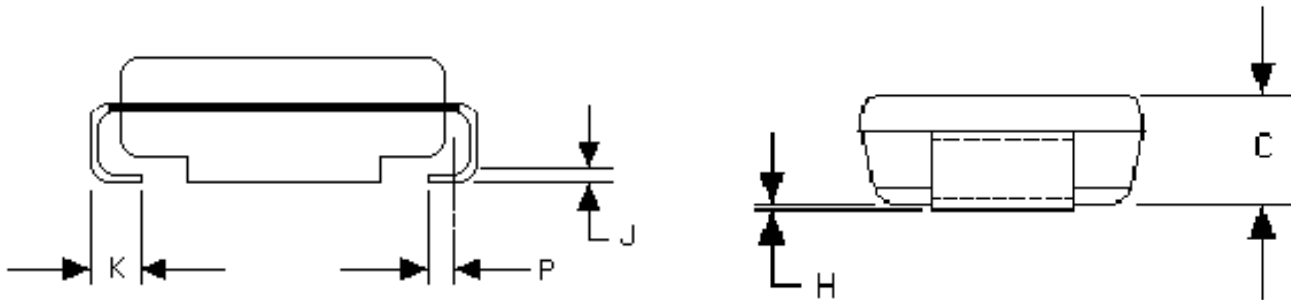
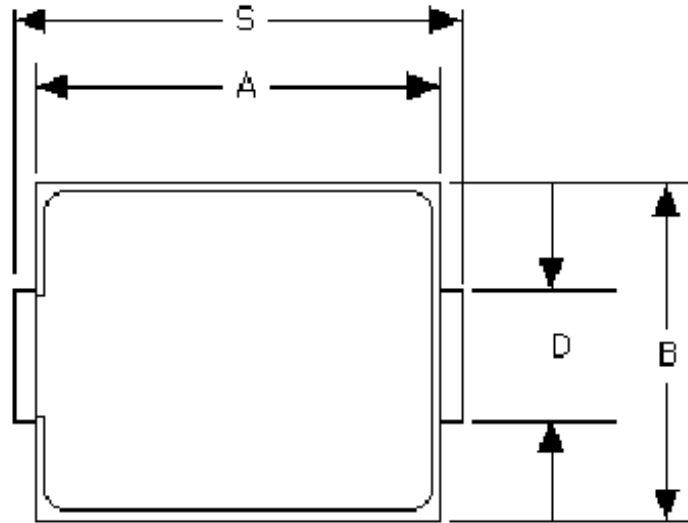


Specification Status: RELEASED

PHYSICAL DESCRIPTION



A		B		C		D*		H		J		K		P	S		
MIN	MAX	MIN	MAX	MIN	MAX	MIN	MAX	MIN	MAX	MIN	MAX	MIN	MAX	REF	MIN	MAX	
mm:	4.06	4.57	3.30	3.81	1.90	2.41	1.96	2.11	.051	.152	0.15	0.30	0.76	1.27	0.51	5.21	5.59
in:	.160	.180	.130	.150	.075	.095	.077	.083	.002	.006	.006	.012	.030	.050	.020	.205	.220

* D DIMENSION SHALL BE MEASURED WITHIN DIMENSION P

Other Physical Characteristics

- Form Factor: SMB (Surface Mount DO-214 Package)
- Lead Material: Tin/lead finish
- Encapsulation Material: Epoxy, meets UL94 V-0 requirements
- Solderability: per MIL-STD-750, Method 2026
- Solder Heat Withstand: per MIL-STD-750, Method 2031
- Solvent Resistance: per MIL-STD-750, Method 1022
- Mechanical Shock: per MIL-STD-750, Method 2016

Tape and Reel packaging per EIA 481-1

DEVICE RATINGS @ 25° C (Both Polarities)

Parameter	Symbol	Value	Units
Off-State Voltage, Maximum at $I_D = 5 \mu A$	VDM	170	V
Non-Repetitive Peak Impulse Current Double exponential waveform (Notes 1 and 2)	10x1000 μsec	IPP ₁	100 A
	10/560 μsec	IPP ₂	100 A
	10/160 μsec	IPP ₃	200 A
	2/10 μsec	IPP ₄	500 A
Critical Rate of Rise of On-State Current Maximum 2x10 μsec waveform, $V_{OC}=2.5kV$, $I_{SC}=500A$ peak	di/dt	250	A/ μs

DEVICE THERMAL RATINGS

Storage Temperature Range	TSTG	-65 to 150	°C
Operating Temperature Range Blocking or conducting state	TA	-40 to 125	°C
Overload Junction Temperature Maximum; Conducting state only	TJ	+175	°C

ELECTRICAL CHARACTERISTICS Both polarities (T_J @ 25°C unless otherwise noted)

Characteristics	Symbol	Min	Typ	Max	Units
Breakover Voltage (+25°C) $dV/dt = 100V/\mu sec$, $I_{SC}=1.0A$, $V_{DC} = 1000V$	VBO	----	230	265	V
Breakover Voltage (+25°C) $f=60Hz$, $I_{SC}=1.0A_{rms}$, $V_{OC} = 1000V_{rms}$, $R=1.0 k\Omega$, $t = 0.5$ cycle (Note 2)	VBO	----	230	265	V
Breakover Voltage Temperature Coefficient	dVBO/dT _J	----	0.08	-----	%/°C
Off-State Current (V _{D1} = 50V)	ID1	----	-----	2.0	μA
(V _{D2} = VDM)	ID2	----	-----	5.0	μA
On-State Voltage (I _T =1A) PW ≤ 300 μsec , Duty Cycle ≤ 2% (Note 2)	VT	----	-----	5.0	V
Breakover Current	IBO	----	230	-----	mA
Holding Current (Note 2)	I _H	175	350	----	mA
Critical Rate of Rise of Off-State Voltage (Linear waveform, $V_D = 0.8 \times$ Rated VBO, T _J = +25°C)	dv/dt	5000	----	----	V/ μs
Capacitance (f=1.0 Mhz, 50Vdc bias, 1 Vrms)	C1	----	60	----	pF
	C2	----	160	----	pF

Note 1. Allow cooling before test second polarity

Note 2. Measured under pulse conditions to reduce heating

VOLTAGE-CURRENT CHARACTERISTIC

