

Description

- High current application

Features

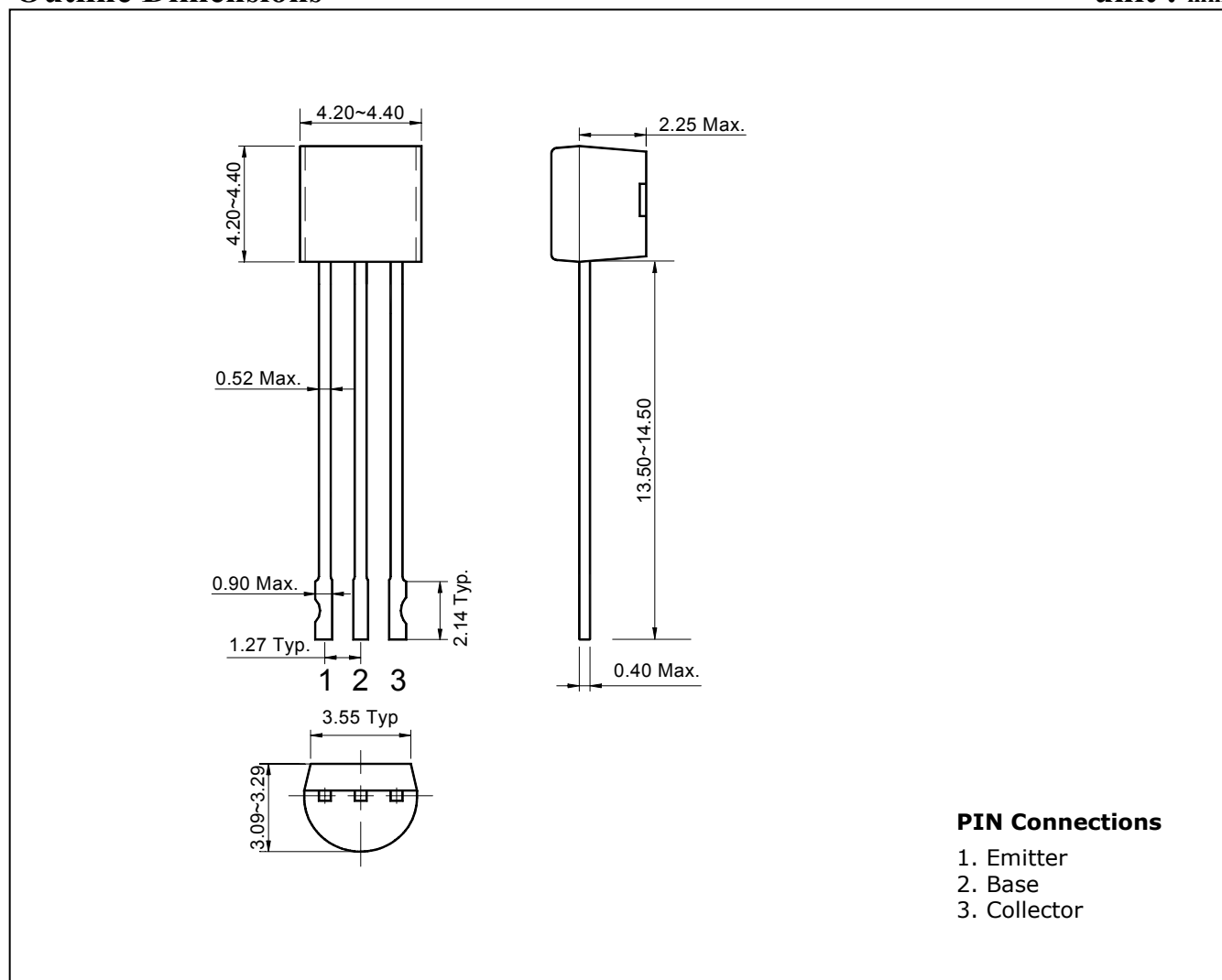
- Extremely low collector saturation voltage: $V_{CE(sat)}=0.1V(\text{Typ.}) @ I_C=500mA, I_B=50mA$
- Suitable for low voltage large current drivers
- High DC current gain and large current capability
- Low on resistance : $R_{ON}=0.6\Omega(\text{Max.}) @ I_B=1mA$

Ordering Information

Type NO.	Marking	Package Code
STD123N	STD123	TO-92N

Outline Dimensions

unit : mm



PIN Connections

1. Emitter
2. Base
3. Collector

Absolute Maximum Ratings

Characteristic	Symbol	Rating	Unit
Collector-base voltage	V_{CBO}	20	V
Collector-emitter voltage	V_{CEO}	15	V
Emitter-base voltage	V_{EBO}	6.5	V
Collector current	I_C	1	A
Collector power dissipation	P_C	400	mW
Junction temperature	T_J	150	°C
Storage temperature range	T_{stg}	-55~150	°C

Electrical Characteristics

Characteristic	Symbol	Test Condition	Min.	Typ.	Max.	Unit
Collector-emitter breakdown voltage	BV_{CEO}	$I_C=1mA, I_B=0$	15	-	-	V
Collector cut-off current	I_{CBO}	$V_{CB}=20V, I_E=0$	-	-	0.1	μA
Emitter cut-off current	I_{EBO}	$V_{EB}=6.5V, I_C=0$	-	-	0.1	μA
DC current gain	h_{FE}	$V_{CE}=1V, I_C=100mA$	150	-	-	-
Collector-emitter saturation voltage	$V_{CE(sat)}$	$I_C=500mA, I_B=50mA$	-	0.1	0.3	V
Base-emitter voltage	V_{BE}	$V_{CE}=1V, I_C=100mA$	-	0.75	1.0	V
Transition frequency	f_T	$V_{CE}=5V, I_C=50mA$	-	260	-	MHz
Collector output capacitance	C_{ob}	$V_{CB}=10V, I_E=0, f=1MHz$	-	5	-	pF
On resistance	R_{ON}	$f=1KHz, I_B=1mA, V_{IN}=0.3V$	-	0.6	-	Ω

Electrical Characteristic Curves

Fig. 1 $V_{CE(sat)} - I_C$

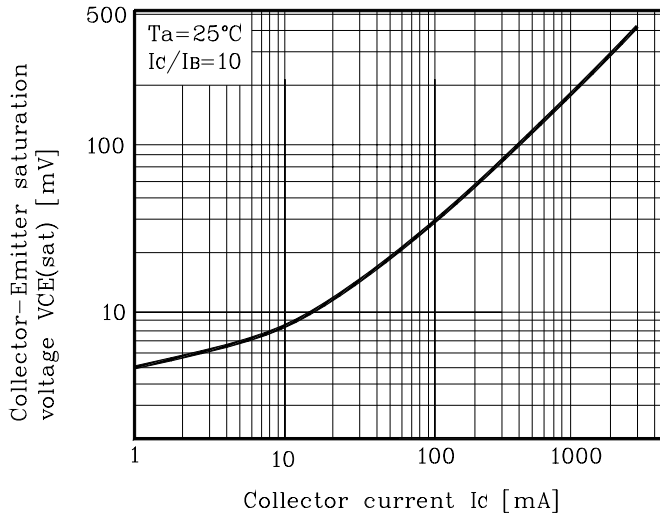


Fig. 2 $C_{Ob} - V_{CB}$

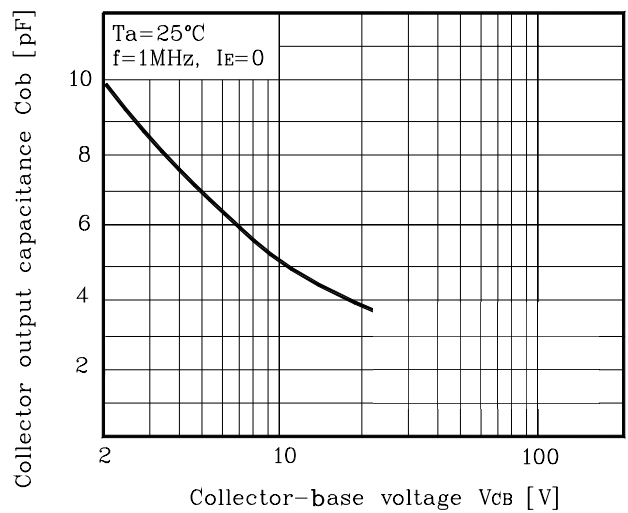


Fig. 3 $h_{FE} \cdot I_C$

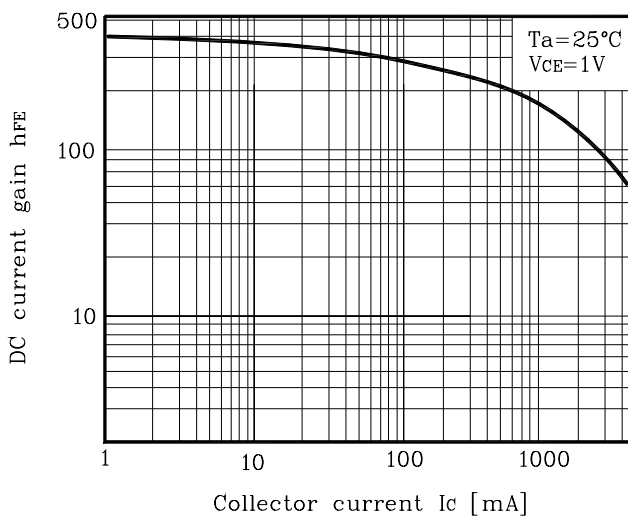
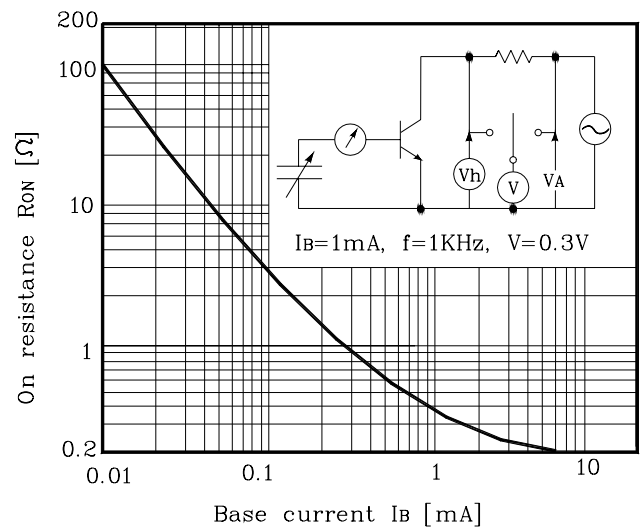


Fig. 4 $R_{ON} - I_B$



The AUK Corp. products are intended for the use as components in general electronic equipment (Office and communication equipment, measuring equipment, home appliance, etc.).

Please make sure that you consult with us before you use these AUK Corp. products in equipments which require high quality and / or reliability, and in equipments which could have major impact to the welfare of human life(atomic energy control, airplane, spaceship, transportation, combustion control, all types of safety device, etc.). AUK Corp. cannot accept liability to any damage which may occur in case these AUK Corp. products were used in the mentioned equipments without prior consultation with AUK Corp..

Specifications mentioned in this publication are subject to change without notice.