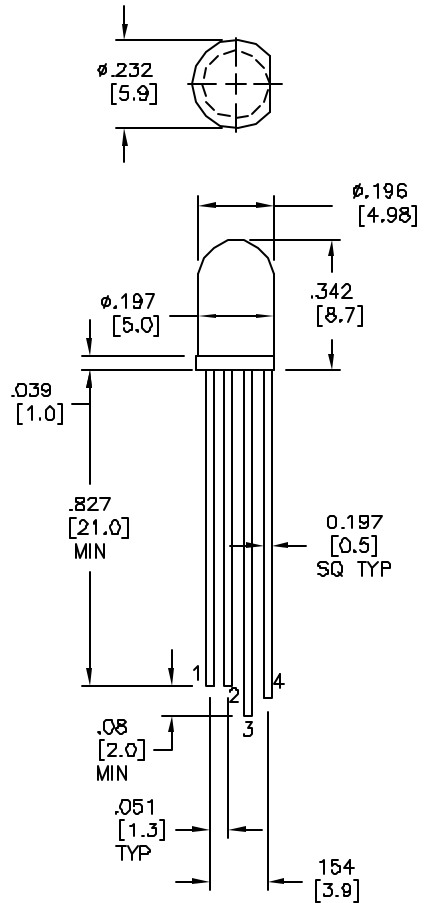
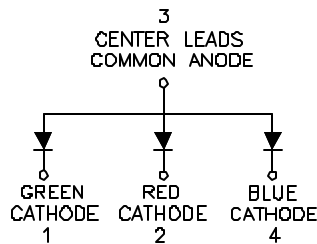


LTR	REVISION	DATE	APPD
-	RELEASED	10-22-04	
A	122104-RM01:RVSD PER LATEST SPEC	12-22-04	
B	030205-RM01: USED LIVE TEST DATA	03-02-05	

COLOR	RADIANT INTENSITY $\mu\text{W}/\text{sr}$ (typ)
RED	5294
GREEN	1967
BLUE	3333

COLOR	PURITY (%) typ
RED	100
GREEN	75
BLUE	96



ABSOLUTE MAXIMUM RATINGS

($T_a=25^\circ\text{C}$)

CHARACTERISTIC	SYMBOL	RED	GREEN	BLUE	UNIT
POWER DISSIPATION	P_d	100	120	120	mW
FORWARD CURRENT	I_f	30	30	30	mA
PEAK FORWARD CURRENT*	I_{fp}	150	150	150	mA
REVERSE VOLTAGE	V_r	5	5	5	V
OPERATING TEMPERATURE	T_{opr}	-40 TO +80			$^\circ\text{C}$
STORAGE TEMPERATURE	T_{stg}	-40 TO +85			$^\circ\text{C}$
SOLDERING TEMPERATURE	T_{sol}	260 $^\circ\text{C}$ (FOR 5 SEC.)			$^\circ\text{C}$

*CONDITION FOR I_{fp} IS PULSE OF 1/10 DUTY & 0.1msec WIDTH

ELECTRO-OPTICAL CHARACTERISTICS

($T_a=25^\circ\text{C}$)

CHARACTERISTIC	SYMBOL	CONDITION	RED		GREEN		BLUE		UNIT
			TYP.	MAX.	TYP.	MAX.	TYP.	MAX.	
LUMINOUS INTENSITY	I_v	$I_f=20\text{mA}$	915	-	980	-	270	-	mcad
FORWARD VOLTAGE	V_f	$I_f=20\text{mA}$	2.2	2.6	3.5	4.0	3.5	4.0	V
REVERSE CURRENT	I_r	$V_r=5\text{V}$		100		100		100	μA
PEAK WAVELENGTH	λ_p	$I_f=20\text{mA}$	635	-	525	-	467	-	nm
DOM. WAVELENGTH	λ_d	$I_f=20\text{mA}$	625	-	530	-	472	-	nm
CHROMATICITY COORDINATES	X	$I_f=20\text{mA}$	0.70	-	0.20	-	0.13	-	-
	Y	$I_f=20\text{mA}$	0.30	-	0.69	-	0.08	-	-
SPECTRAL LINE HALF-WIDTH	$\Delta\lambda$	$I_f=20\text{mA}$	19	-	42	-	29	-	nm
VIEWING ANGLE	$2\theta_{1/2}$	$I_f=20\text{mA}$	60	-	60	-	60	-	Deg

NOTES:

- ALL DIMS ARE IN INCHES [MILLIMETERS].
- TOLERANCE IS $\pm 0.010"$ ($\pm 0.25\text{mm}$) UNLESS OTHERWISE SPECIFIED.
- LEAD SPACING IS MEASURED WHERE LEADS EMERGE FROM THE PACKAGE.
- SPECIFICATIONS ARE SUBJECT TO CHANGE WITHOUT NOTICE.
- LEADS TO BE SOLDERABLE AND CAPABLE OF MEETING THE SOLDERABILITY REQUIREMENTS OF MIL-STD-202, METHOD 208.
- MANUFACTURE DATE SHALL NOT BE OLDER THAN 26 WEEKS.
- THIS PRODUCT DOESN'T CONTAIN RESTRICTION SUBSTANCE, COMPLIANCE WITH ROHS STANDARD

L.E.D. RADIATION COLOR	LENS APPEARANCE
SUPER RED	WATER CLEAR
AQUA GREEN	
SUPER BLUE	

LED[®]
LEDTRONICS, INC.[™]
23105 KASHIWA COURT
TORRANCE, CA 90505

PROPRIETARY.
This document contains Proprietary Information of LEDTRONICS, INC.
It may not be copied, used or disclosed for any purpose without the prior express written consent of LEDTRONICS, INC.

.XXX \pm .010 TOLERANCE PER ANSI-Y14.5
.XX \pm .025 (UNLESS OTHERWISE STATED)
ANGLES \pm 0°.30°
FRACT. \pm 1/32

TITLE			
L200CWRGB1K-4A-IL			
DWG NO	SCALE	SHEET	DATE
DSDC0334	1:1	1 OF 2	10-22-04
CODE IDENT NO.	DWG BY	CHK BY	QA PL
8Z410	RR	03-09-05	03-09-05
MNFG	CUSTOMER		