

LTR	REVISION	DATE	APPD
-	RELEASED	10-08-04	
A	011305-PLD1:RVSD DATA WITH NEW SPEC	01-13-05	

1.) LUMINOUS INTENSITY (mcd):

(IF=20mA)			
COLOR	MIN	Typ.	MAX.
SUPER RED	230	340	450
BLUE GREEN	1600	2650	3700
BLUE	380	590	800

2.) LUMINOUS FLUX:

(IF=20mA)			
COLOR	MIN	Typ.	MAX.
SUPER RED	-	-	-
BLUE GREEN	-	-	-
BLUE	-	-	-

3.)

COLOR	RADIANT INTENSITY W/strip (typ)
SUPER RED	-
BLUE GREEN	-
BLUE	-

4.)

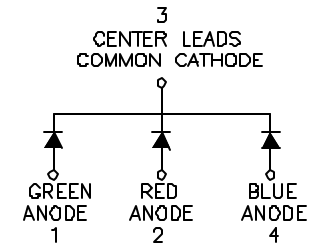
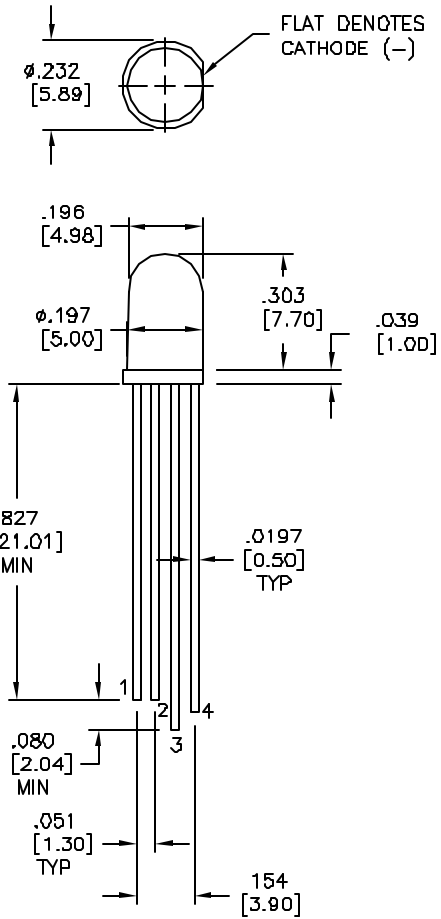
COLOR	PURITY (%) typ
SUPER RED	-
BLUE GREEN	-
BLUE	-

5.)

COLOR	CHROMATICITY COORDINATES				
	X	-	-	-	-
SUPER RED	X	-	-	-	-
	Y	-	-	-	-
BLUE GREEN	X	-	-	-	-
	Y	-	-	-	-
BLUE	X	-	-	-	-
	Y	-	-	-	-

6.) COLOR BIN LIMITS (IF=20 mA):

COLOR	COLOR RENDERING INDEX (CRI)	APPROXIMATE COLOR TEMPERATURE (K)
SUPER RED	-	-
BLUE GREEN	-	-
BLUE	-	-



1. ALL DIMS ARE IN INCHES (MILLIMETERS).
2. TOLERANCE IS ±.010" (±0.25mm) UNLESS OTHERWISE SPECIFIED.
3. LEAD SPACING IS MEASURED WHERE LEADS EMERGE FROM THE PACKAGE.
4. LEADS TO BE SOLDERABLE AND CAPABLE OF MEETING THE SOLDERABILITY REQUIREMENTS OF MIL-STD-202, METHOD 208.
5. MANUFACTURE DATE SHALL NOT BE OLDER THAN 26 WEEKS (6 MONTHS).

LEDTRONICS PART NO.	L.E.D. RADIATION COLOR	L.E.D. APPEARANCE	ABSOLUTE MAXIMUM RATINGS (Ta=25°C)					ELECTRO-OPTICAL CHARACTERISTICS (Ta=25°C)							
			Pd mW	*Ifp mA	If mA	Vr V	Topt (°C)	If mA	Iv mcd typ	Vf=V Iyp/max	View Angle Iyp	Ir max μA	Δλ nm	λDom nm	λPeak nm
L200CWRBGB1K-4C-IL	SUPER RED	WATER CLEAR	100	150	30	5	-40° TO +80°	20	340	1.8/2.4	55	100	22	634	645
	BLUE GREEN		120	150	30	5	-40° TO +80°	20	2650	2.9/3.5	55	100	30	510	510
	BLUE		120	150	30	5	-40° TO +80°	20	590	3.0/3.6	55	100	30	468	470

Tstg: -40°C TO +85°C * Condition for IFP is pulse of 1/10 duty and 0.1msec width.
LEAD SOLDERING TEMP: [5mm (.197in) FROM BODY] 260°C FOR 5 SEC.

<p>LEDTRONICS, INC. 23105 KASHIWA COURT TORRANCE, CA 90505</p>	<p>PROPRIETARY. This document contains Proprietary Information of LEDTRONICS, INC. It may not be copied, used or disclosed for any purpose without the prior express written consent of LEDTRONICS, INC.</p>	<p>TITLE L200CWRBGB1K-4C-IL</p>			
	<p>XXX ± .010 TOLERANCE PER ANSI-Y14.5 .XX ± .025 (UNLESS OTHERWISE STATED) ANGLES ± 0°.30° FRACT. ± 1/32</p>	<p>DWG NO DSDC336</p>	<p>SCALE 1:1</p>	<p>SHEET 1 OF 1</p>	<p>DATE 10-08-04</p>
	<p>CODE IDENT NO. 8Z410</p>	<p>DWG BY RM</p>	<p>CHK BY PL</p>	<p>QA GZ</p>	<p>MNFG 01-13-05 01-14-05</p>