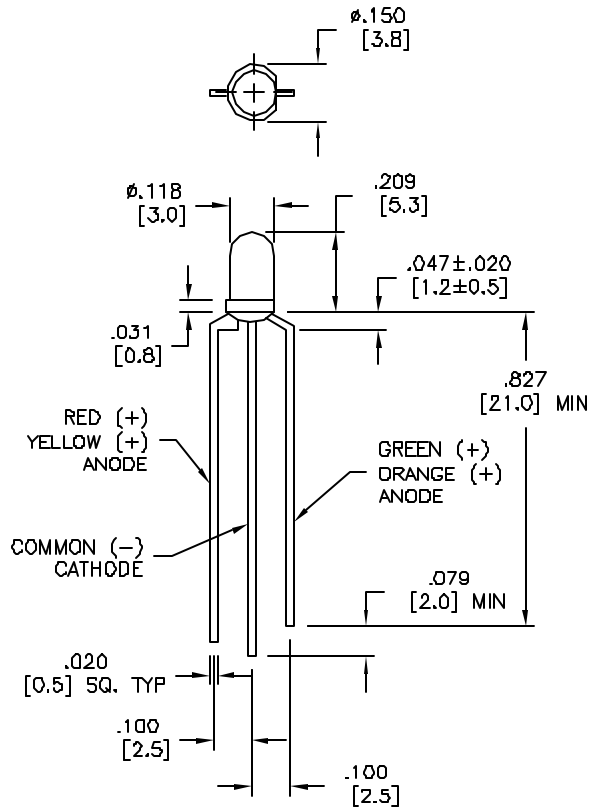


LTR	REVISION	DATE	APPD
-	RELEASED	07-09-94	JH
A	REVISED PER ECR 092499-SA01	09-29-99	SA




NOTES:

1. ALL DIMS ARE IN INCHES (MILLIMETERS).
2. TOLERANCE IS ± 0.010 " (± 0.25 mm) UNLESS OTHERWISE SPECIFIED.
3. LEAD SPACING IS MEASURED WHERE LEADS EMERGE FROM THE PACKAGE.
4. LEADS TO BE SOLDERABLE AND CAPABLE OF MEETING THE SOLDERABILITY REQUIREMENTS OF MIL-STD-202, METHOD 208.
5. MANUFACTURE DATE SHALL NOT BE OLDER THAN 26 WEEKS (6 MONTHS).

LEDTRONICS PART NO.	L.E.D. RADIATION COLOR	L.E.D. APPEARANCE	ABSOLUTE MAXIMUM RATINGS (Ta=25°C)						ELECTRO-OPTICAL CHARACTERISTICS (Ta=25°C)					
			Pd mW	Ifp mA	If mA	Vr V	ToPr (°C)	If mA	Iv mod typ	Vf=V typ/max	IFV AVERAGE 201/2	Ir max μA	Δλ nm	λPeak nm
L120TWRG4B-3C	HI-EFF RED	WHITE	100	150	30	5	-40 TO +85	20	25.0	2.0/2.6	40	100	45	635
	HI-EFF GREEN	DIFFUSED	100	150	30	5	-40 TO +85	20	35.0	2.2/2.6	40	100	30	568
L120TWRG5B-3C	HI-EFF RED	WHITE	100	150	30	5	-40 TO +85	20	25.0	2.0/2.6	40	100	45	635
	HI-EFF GREEN	DIFFUSED	100	150	30	5	-40 TO +85	20	50.0	2.2/2.6	40	100	30	568
L120TWR04B-3C	HI-EFF RED	WHITE	100	150	30	5	-40 TO +85	20	25.0	2.0/2.6	40	100	45	635
	ORANGE	DIFFUSED	100	150	30	5	-40 TO +85	20	30.0	2.0/2.6	40	100	35	610
L120TWYG4B-3C	YELLOW	WHITE	100	150	30	5	-40 TO +85	20	10.0	2.1/2.6	40	100	35	585
	HI-EFF GREEN	DIFFUSED	100	150	30	5	-40 TO +85	20	25.0	2.2/2.6	40	100	30	568

Tstg: -40°C TO +100°C
LEAD SOLDERING TEMP: [1.6mm (.063in) FROM BODY] 260°C FOR 5 SEC.

 <p>23105 KASHIWA COURT TORRANCE, CA 90505</p>	<p>PROPRIETARY. This document contains Proprietary information of LEDTRONICS, INC. It may not be copied, used or disclosed for any purpose without the prior express written consent of LEDTRONICS, INC.</p> <p>JXX ± .010 TOLERANCE PER ANSI-Y14.5 .XX ± .025 (UNLESS OTHERWISE STATED) ANGLES ± 0°.30° FRACT. ± 1/32</p>	TITLE L120TWXXXB-3C			
		DWG NO DSDD0110	SCALE 2:1	SHEET 1 OF 1	DATE 07-07-94
		CODE IDENT NO. 8Z410	DWG BY JCH	CHK BY PL 09-29-99	QA