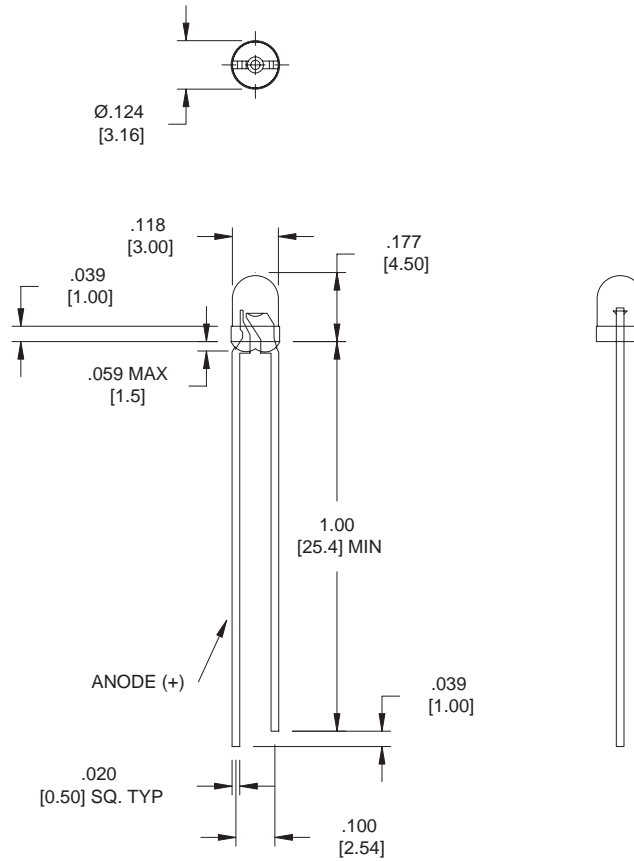


LTR	REVISION	DATE	APPD
E	RVSD mcd PER ECR 100397-JK003	10-17-97	SA
F	RVSD mcd PER ECR 111797-JK003	10-06-97	SA
G	RVSD PER ECR 111799-SA05	11-17-99	SA
H	RVSD PER ECR 100702-RM01	10-07-02	RM




**NOTES:**

1. ALL DIMS ARE IN INCHES (MILLIMETERS).
2. TOLERANCE IS  $\pm 0.010"$  ( $\pm 0.25\text{mm}$ ) UNLESS OTHERWISE SPECIFIED.
3. LEAD SPACING IS MEASURED WHERE LEADS EMERGE FROM THE PACKAGE.
4. LEADS TO BE SOLDERABLE AND CAPABLE OF MEETING THE SOLDERABILITY REQUIREMENTS OF MIL-STD-202, METHOD 208.
5. MANUFACTURE DATE SHALL NOT BE OLDER THAN 26 WEEKS (6 MONTHS).

LEDTRONICS PART NO.	L.E.D. RADIATION COLOR	L.E.D. APPEARANCE	ABSOLUTE MAXIMUM RATINGS (Ta=25°C)					ELECTRO-OPTICAL CHARACTERISTICS (Ta=25°C)						
			Pd mW	I <sub>fp</sub> mA	I <sub>f</sub> mA	V <sub>r</sub> V	To <sub>pr</sub> (°C)	I <sub>f</sub> mA	I <sub>v</sub> mcd typ	V <sub>f</sub> =V typ/max	VIEW ANGLE 2θ1/2	I <sub>r</sub> max m	Δλ nm	λ <sub>Peak</sub> nm
L120CR6N	ULTRA RED	CLEAR	60	150	30	5	-40 TO +85	20	280	1.7/2.6	40	100	20	660
L120CR5N	HI-EFF RED	CLEAR	100	150	30	5	-40 TO +85	20	100	2.0/2.6	40	100	45	635
L120CO5N	ORANGE	CLEAR	100	150	30	5	-40 TO +85	20	130	2.0/2.6	40	100	35	610
L120CY5N	YELLOW	CLEAR	100	150	30	5	-40 TO +85	20	90	2.1/2.6	40	100	35	585
L120CG5N	HI-EFF GREEN	CLEAR	100	150	30	5	-40 TO +85	20	110	2.2/2.6	40	100	30	568
L120CPG5N	PURE GREEN	CLEAR	100	150	30	5	-40 TO +85	20	38	2.2/2.6	40	100	25	555
L120CUB5N	SUPER BLUE	CLEAR	65	150	30	5	-40 TO +80	20	200	3.8/4.5	30	100	65	428

Tstg: -40°C TO +100°C  
 LEAD SOLDERING TEMP: [1.6mm (.063in) FROM BODY] 260°C FOR 5 SEC.

 <b>LEDTRONICS, INC.™</b> 23105 KASHIWA COURT TORRANCE, CA 90505	<p align="center"><b>-PROPRIETARY-</b></p> <p align="center">This document contains Proprietary information of LEDTRONICS, INC.™ It may not be copied, used or disclosed for any purpose without the prior express written consent of LEDTRONICS, INC.™</p>	<p align="center"><b>TITLE</b></p> <p align="center"><b>L120CXXN</b></p>					
	<p>.XXX ± .010      TOLERANCE PER ANSI-Y14.5          .XX ± .025      (UNLESS OTHERWISE STATED)          ANGLES ± 0°.30'          FRACT. ± 1/32</p>	<p>DWG NO</p> <p align="center">DSDC0067</p>	<p>SCALE</p> <p align="center">2:1</p>	<p>SHEET</p> <p align="center">1 OF 1</p>	<p>DATE</p> <p align="center">09-30-96</p>		
	<p>CODE IDENT NO.</p> <p align="center">8Z410</p>	<p>DWG BY</p> <p align="center">SMA</p>	<p>CHK BY</p> <p align="center">PL</p>	<p>QA</p>	<p>MFG</p>	<p>CUSTOMER</p>	