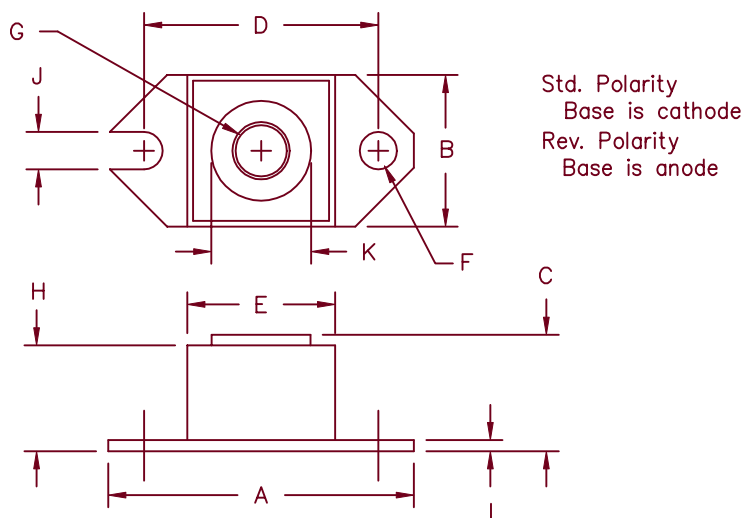


# 120 Amp Schottky OR'ing Rectifier HS12510—HS12515



Dim.	Inches		Millimeter		Notes
	Minimum	Maximum	Minimum	Maximum	
A	1.52	1.56	38.61	39.62	
B	.725	.775	18.42	19.69	
C	.605	.625	15.37	15.88	
D	1.182	1.192	30.02	30.28	
E	.745	.755	18.92	19.18	Sq.
F	.152	.160	3.86	4.06	Dia.
G			1/4-20 UNC-2B		
H	.545	.555	13.84	14.10	
J	.156	.160	3.96	4.06	
K	.495	.505	12.57	12.83	Dia.
L	.120	.130	3.05	3.30	

## HALF-PAK

Microsemi Catalog Number	Industry Part Number	Working Peak Reverse Voltage	Repetitive Peak Reverse Voltage
HS12510*		10V	10V
HS12515*	125NQ015	15V	15V

\* Add suffix R for Reverse Polarity

- Schottky Barrier Rectifier
- Guard Ring Protection
- Low Forward Voltage
- 125°C Junction Temperature
- $V_{RRM}$  10-15 Volts
- Reverse Energy Tested

## Electrical Characteristics

Average forward current	$I_F(AV)$ 120 Amps	$T_C = 93^\circ C$ , square wave, $R_{\theta JC} = 0.4^\circ C/W$
Maximum surge current	$I_{FSM}$ 2000 Amps	8.3ms, half sine, $T_J = 125^\circ C$
Maximum repetitive reverse current	$I_R(OV)$ 2 Amps	$f = 1$ KHZ, $1 \mu s$ square wave, $T_J = 25^\circ C$
Max peak forward voltage	$V_{FM}$ 0.45 Volts	$I_{FM} = 120A$ : $T_J = 25^\circ C^*$
Max peak reverse current	$I_{RM}$ 1 Amp	$V_{RRM}$ , $T_J = 125^\circ C^*$
Max peak reverse current	$I_{RM}$ 8mA	$V_{RRM}$ , $T_J = 25^\circ C$
Typical junction capacitance	$C_J$ 9500pF	$V_R = 5.0V$ , $T_C = 25^\circ C$ , $f = 1MHz$

\*Pulse test: Pulse width 300  $\mu sec$ , Duty cycle 2%

## Thermal and Mechanical Characteristics

Storage temp range	$T_{STG}$	-55°C to 175°C
Operating junction temp range	$T_J$	-55°C to 125°C
Max thermal resistance	$R_{\theta JC}$	0.4°C/W junction to case
Typical thermal resistance (greased)	$R_{\theta CS}$	0.12°C/W case to sink
Mounting Base Torque		15-25 inch pounds
Terminal Torque		20-40 inch pounds
Weight		1.1 ounces (32 grams) typical

# HS12510-HS12515

Figure 1  
Typical Forward Characteristics

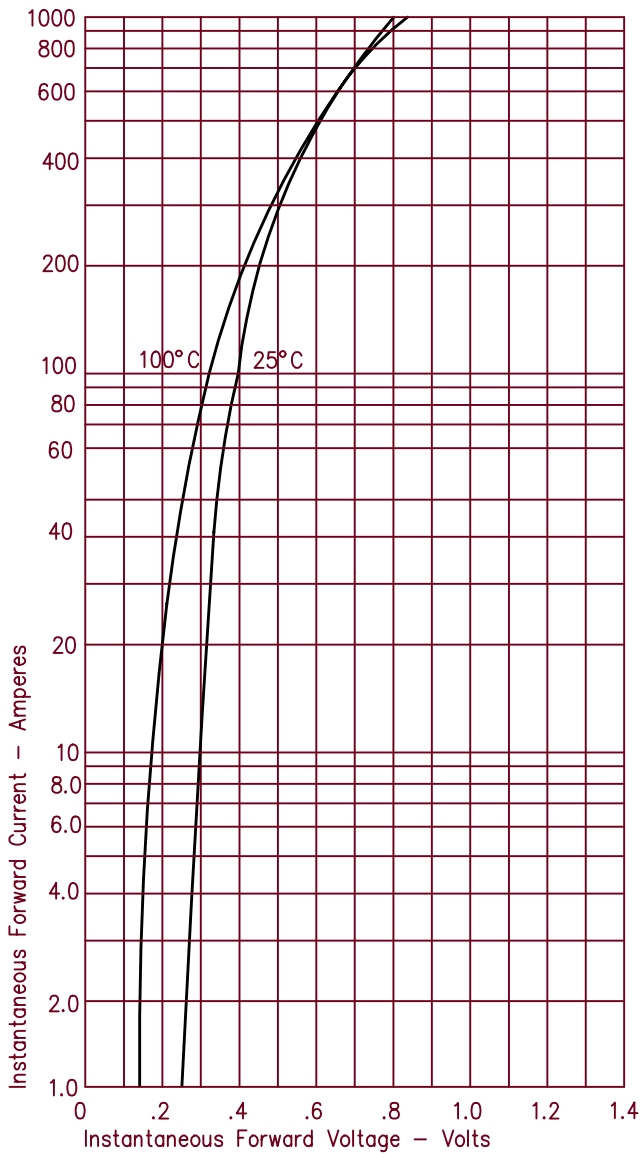


Figure 3  
Typical Junction Capacitance

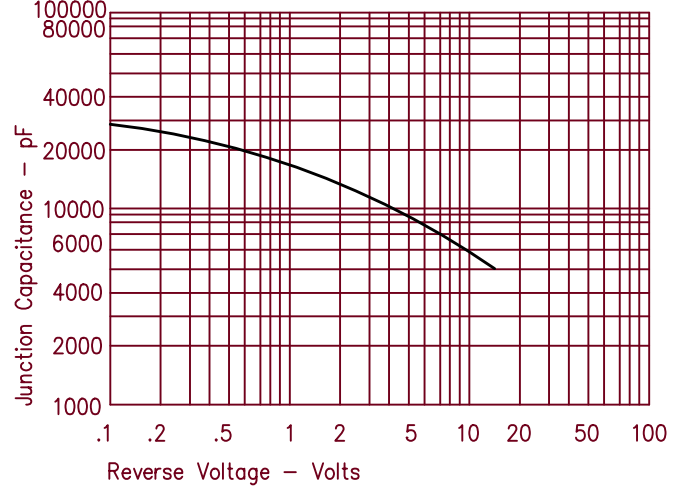


Figure 4  
Forward Current Derating

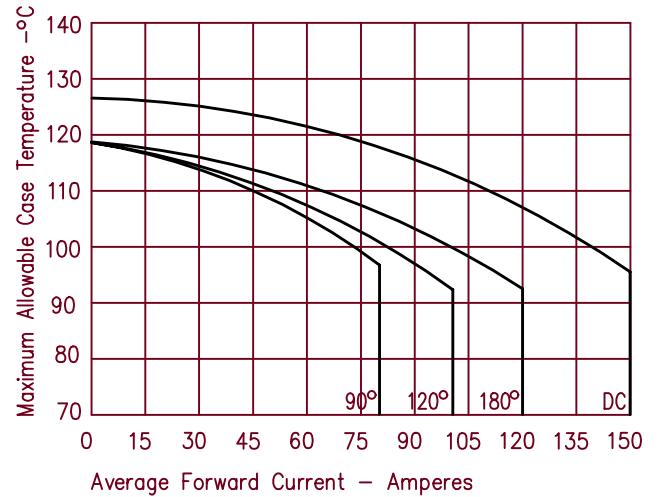


Figure 2  
Typical Reverse Characteristics

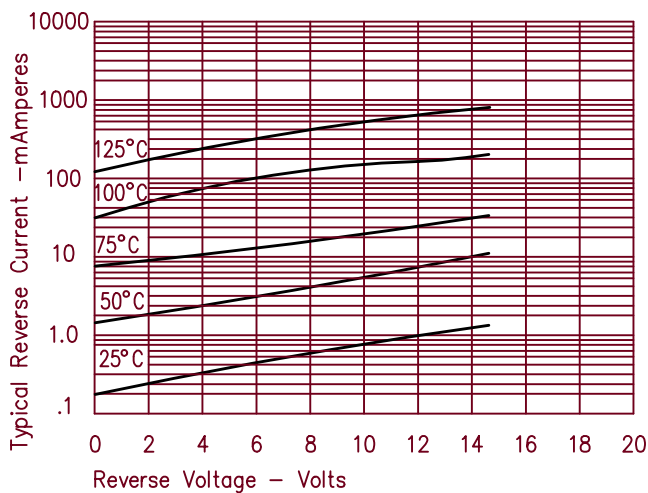
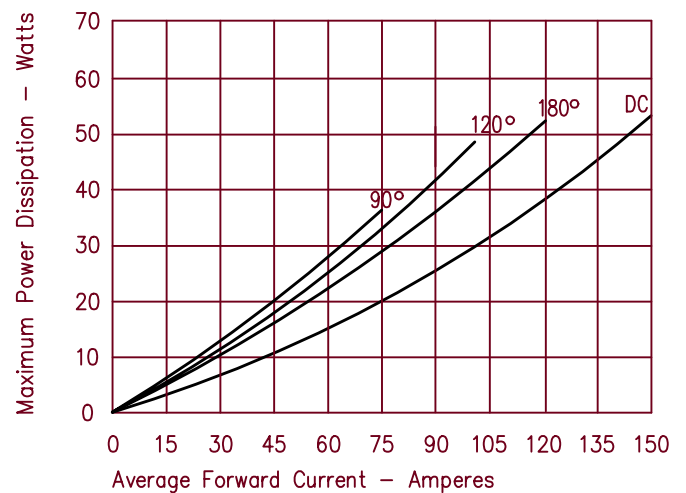


Figure 5  
Maximum Forward Power Dissipation



This datasheet has been download from:

[www.datasheetcatalog.com](http://www.datasheetcatalog.com)

Datasheets for electronics components.