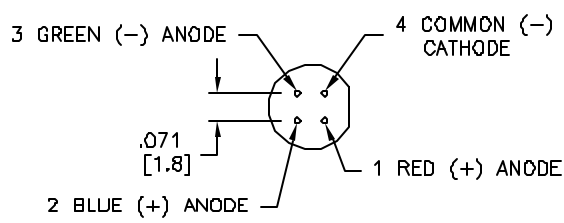
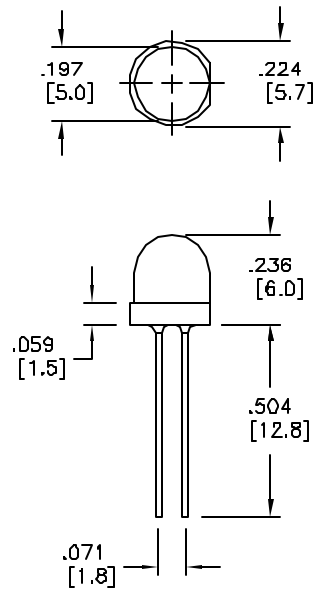
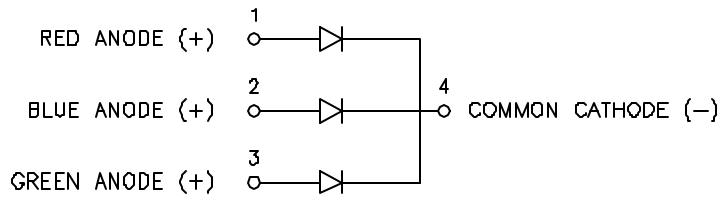


LTR	REVISION	DATE	APPD
-	RELEASED	10-16-98	SA



NOTES:

1. ALL DIMS ARE IN INCHES (MILLIMETERS).
2. TOLERANCE IS $\pm 0.010"$ ($\pm 0.25\text{mm}$) UNLESS OTHERWISE SPECIFIED.
3. LEAD SPACING IS MEASURED WHERE LEADS EMERGE FROM THE PACKAGE.
4. SPECIFICATIONS ARE SUBJECT TO CHANGE WITHOUT NOTICE.
5. LEADS TO BE SOLDERABLE AND CAPABLE OF MEETING THE SOLDERABILITY REQUIREMENTS OF MIL-STD-202, METHOD 208.
6. MANUFACTURE DATE SHALL NOT BE OLDER THAN 26 WEEKS (6 MONTHS).

LEDTRONICS PART NO.	L.E.D. RADIATION COLOR	L.E.D. APPEARANCE	ABSOLUTE MAXIMUM RATINGS (Ta=25°C)				ELECTRO-OPTICAL CHARACTERISTICS (Ta=25°C)					
			Pd mW	If mA	Vr V	If mA	Iv mod typ	Vf=V typ	Ir max µA	λpeak nm	Δλ nm	
DIS-1024-106	RED	WHITE DIFFUSED	100	30	3	20	80	1.8	100	644	20	
	GREEN		100	30	3	20	160	3.5	100	525	45	
	BLUE		100	30	3	20	60	3.5	100	468	35	

Topr: -10°C TO +60°C Tstg: -20°C TO +80°C
 LEAD SOLDERING TEMP: [1.6mm (.063in) FROM BODY] 260°C FOR 5 SEC.

 LEDTRONICS, INC. 23105 KASHIWA COURT TORRANCE, CA 90505	PROPRIETARY. This document contains Proprietary Information of LEDTRONICS, INC. It may not be copied, used or disclosed for any purpose without the prior express written consent of LEDTRONICS, INC.		TITLE DIS-1024-106				
	.XXX ± .010 TOLERANCE PER ANSI-Y14.5 .XX ± .025 (UNLESS OTHERWISE STATED) ANGLES ± 0°.30° FRACT. ± 1/32		DWG NO	SCALE	SHEET	DATE	
			D1024005	2:1	1 OF 1	10-16-98	
		CODE IDENT NO.	DWG BY	CHK BY	QA	MFG	CUSTOMER
		BZ410	SMA	PL	10-16-98		