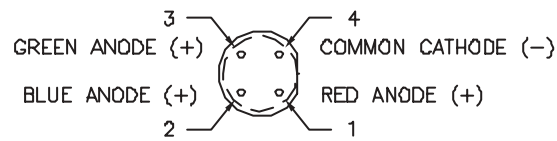
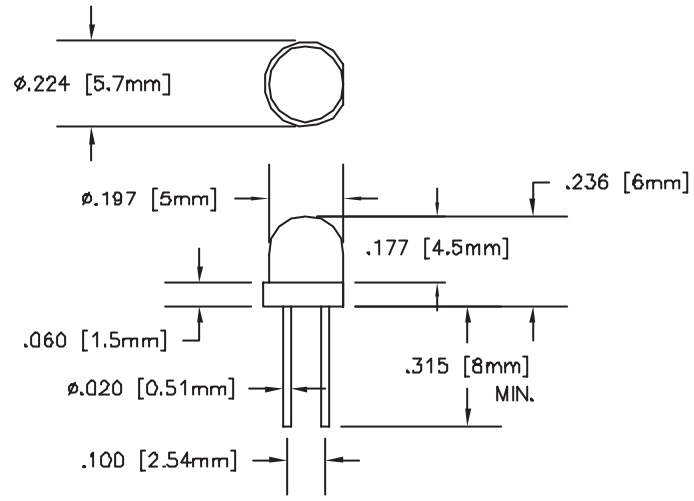
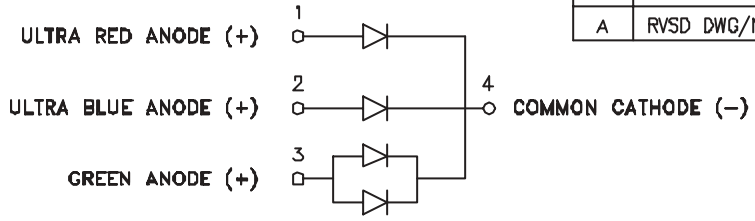
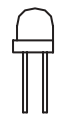


LTR	REVISION	DATE	APPD
-	RELEASED	12-09-96	
A	RVSD DWG/NOTES PER ECR 062497-005	06-25-97	PM

Actual Size



**BOTTOM VIEW**

**NOTES:**

1. ALL DIMENSIONS ARE IN INCHES [MILLIMETERS]
2. TOLERANCE IS  $\pm 0.010$ " [0.25mm] UNLESS OTHERWISE SPECIFIED
3. PROTRUDED RESIN UNDER FLANGE IS .059" [1.5mm] MAX.
4. LEAD SPACING IS MEASURED WHERE LEADS EMERGE FROM THE PACKAGE
5. SPECIFICATIONS ARE SUBJECTED TO CHANGE WITHOUT NOTICE
6. Ifp .1 msec PULSE 0.1% DUTY CYCLE.
7.  $T_{opr} = -20^{\circ}\text{C TO } +60^{\circ}\text{C}$
8.  $T_{stg} = -35^{\circ}\text{C TO } +100^{\circ}\text{C}$

**\* NO FILTER**

LEDTRONICS PART NO.	LENS COLOR	L.E.D. RADIATION COLOR	ELECTRO-OPTICAL CHARACTERISTICS ( $T_a=25^{\circ}\text{C}$ )			
			If=mA typ	Iv mcd min/typ	Vf=V typ/max	$\lambda P$ nm
DIS-1024-105A	MILK WHITE	ULTRA RED	20	18/30	1.8/2.8	660
		GREEN (2 CHIPS)	20	10/16	2.0/2.8	565
		ULTRA BLUE	20	*57/96	4.9/5.2	430

**LEDTRONICS, INC.**  
4009 PACIFIC COAST HWY  
TORRANCE, CA 90505

-PROPRIETARY-  
This document contains Proprietary Information of LEDTRONICS, INC.  
It may not be copied, used or disclosed for any purpose without the prior express written consent of LEDTRONICS, INC.

.XXX  $\pm$  .010 TOLERANCE PER ANSI-Y14.5  
.XX  $\pm$  .025 (UNLESS OTHERWISE STATED)  
ANGLES  $\pm$  0°.30'  
FRACT.  $\pm$  1/32

TITLE <b>DIS-1024-105A (DIFFUSED)</b>			
DWG NO D1024002	SCALE 2:1	SHEET 1 OF 1	DATE 12-09-96
CODE IDENT NO. BZ410	DWG BY JCH	CHK BY PL	QC JK 07-14-97
CUSTOMER			