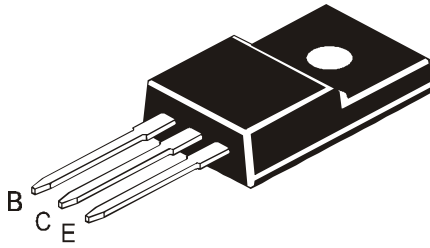


**NPN SILICON PLANAR POWER TRANSISTORS**

**CFD1264, CFD1264A**



**TO-220FP Fully Isolated Plastic Package**

**Complementary CFB940, CFB940A**

**ABSOLUTE MAXIMUM RATINGS(T<sub>a</sub>=25°C)**

DESCRIPTION	SYMBOL	CFD1264	CFD1264A	UNIT
Collector Base Voltage	V <sub>CBO</sub>	200	200	V
Collector Emitter Voltage	V <sub>CEO</sub>	150	180	V
Emitter Base Voltage	V <sub>EBO</sub>	6		V
RMS Isolation Voltage (for 1sec, R.H.<30%, T <sub>a</sub> = 25°C)	** V <sub>ISOL</sub> (a)	3500		V <sub>RMS</sub>
	(b)	1500		V <sub>RMS</sub>
Collector Current Peak	I <sub>CP</sub>	3		A
Collector Current	I <sub>C</sub>	2		A
Collector Power Dissipation @T <sub>c</sub> =25°C @T <sub>a</sub> =25°C	P <sub>C</sub>	30		W
		2		W
Junction Temperature	T <sub>j</sub>	150		°C
Storage Temperature Range	T <sub>stg</sub>	- 55 to +150		°C

**\*\* RMS Isolation Voltage: (a) 3500 V<sub>RMS</sub> with Package in Clip Mounting Position (b) 1500 V<sub>RMS</sub> with Package in Screw Mounting Position (for 1sec, R.H.<30%, T<sub>a</sub>=25°C; Pulse Test: Pulse Width ≤300ms, Duty Cycle≤2%)**

**ELECTRICAL CHARACTERISTICS (T<sub>c</sub>=25°C unless otherwise specified)**

DESCRIPTION	SYMBOL	TEST CONDITION	MIN	TYP	MAX	UNIT
Collector Cut Off Current	I <sub>CBO</sub>	V <sub>CB</sub> =200V, I <sub>E</sub> =0			50	μA
Emitter Cut Off Current	I <sub>EBO</sub>	V <sub>EB</sub> =4V, I <sub>C</sub> =0			50	μA
Collector Base Voltage	V <sub>CBO</sub>	I <sub>C</sub> =500μA, I <sub>E</sub> =0	200			V
Collector Emitter Voltage	V <sub>CEO</sub>	I <sub>C</sub> =5mA, I <sub>B</sub> =0	150			V
			180			V
Emitter Base Voltage	V <sub>EBO</sub>	I <sub>E</sub> =500μA, I <sub>C</sub> =0	6			V
DC Current Gain	h <sub>FE</sub> *	V <sub>CE</sub> =10V, I <sub>C</sub> =150mA	60		240	
		V <sub>CE</sub> =10V, I <sub>C</sub> =400mA	50			
Base Emitter On Voltage	V <sub>BE</sub>	V <sub>CE</sub> =10V, I <sub>C</sub> =400mA			1	V
Collector Emitter Saturation Voltage	V <sub>CE(sat)</sub>	I <sub>C</sub> =500mA, I <sub>B</sub> =50mA			1	V

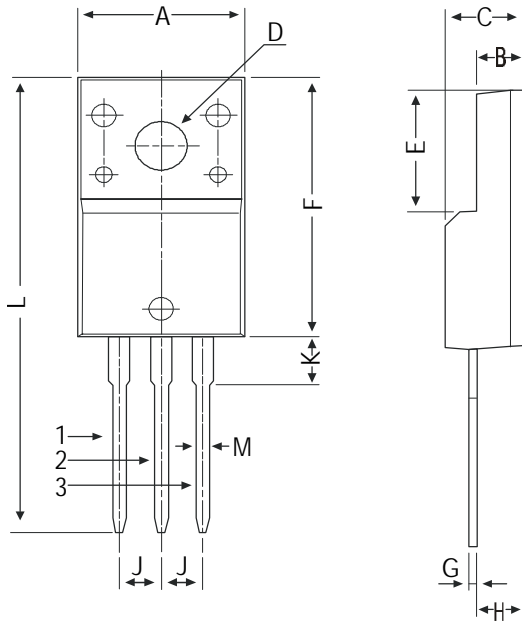
**h<sub>FE</sub>\* Classification**

**Q : 60 - 140**

**P : 100 - 240**

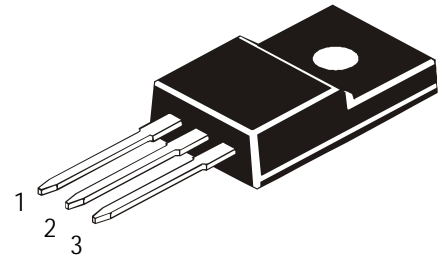
**TO-220FP Fully Isolated Plastic Package**

**TO-220FP Fully Isolated Plastic Package**



DIM	MIN	MAX
A	9.96	10.36
B	2.60	3.00
C	4.50	4.90
D	3.10	3.30
E	7.90	8.20
F	16.87	17.27
G	0.45	0.50
H	2.56	2.96
J	2.34	2.74
K	—	3.08
L	—	30.05
M	—	0.80

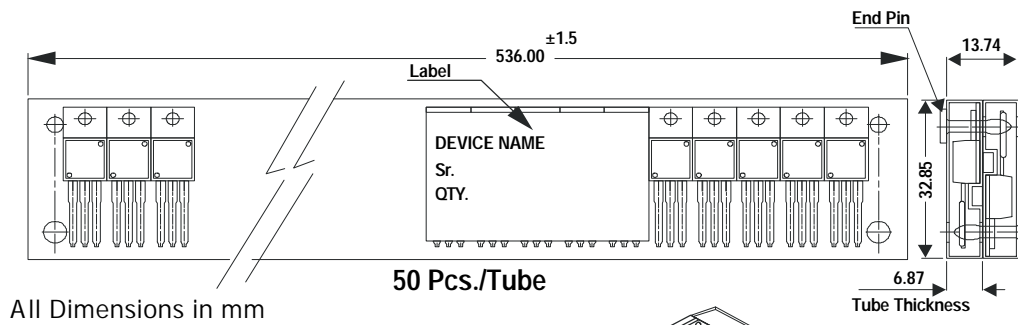
All dimensions in mm.



Pin Configuration

- 1. Base
- 2. Collector
- 3. Emitter

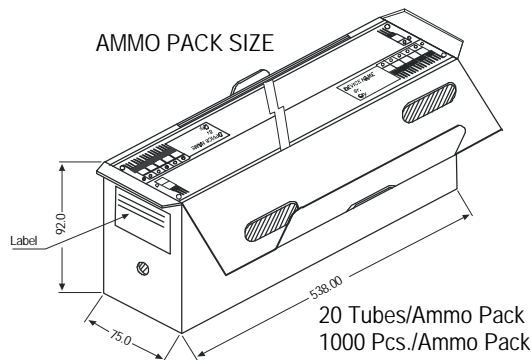
**TO-220 FP Tube Packing**



50 Pcs./Tube

All Dimensions in mm

AMMO PACK SIZE



20 Tubes/Ammo Pack  
1000 Pcs./Ammo Pack

**Packing Detail**

PACKAGE	STANDARD PACK		INNER CARTON BOX		OUTER CARTON BOX		
	Details	Net Weight/Qty	Size	Qty	Size	Qty	Gr Wt
TO-220FP	200 pcs/polybag	396 gm/200 pcs	3" x 7.5" x 7.5"	1K	17" x 15" x 13.5"	16K	36 kgs
	50 pcs/tube	135 gm/50 pcs	3.5" x 3.7" x 21.5"	1K	19" x 19" x 19"	10K	28 kgs

**TO-220FP Fully Isolated  
Plastic Package****Disclaimer**

The product information and the selection guides facilitate selection of the CDIL's Discrete Semiconductor Device(s) best suited for application in your product(s) as per your requirement. It is recommended that you completely review our Data Sheet(s) so as to confirm that the Device(s) meet functionality parameters for your application. The information furnished in the Data Sheet and on the CDIL Web Site/CD are believed to be accurate and reliable. CDIL however, does not assume responsibility for inaccuracies or incomplete information. Furthermore, CDIL does not assume liability whatsoever, arising out of the application or use of any CDIL product; neither does it convey any license under its patent rights nor rights of others. These products are not designed for use in life saving/support appliances or systems. CDIL customers selling these products (either as individual Discrete Semiconductor Devices or incorporated in their end products), in any life saving/support appliances or systems or applications do so at their own risk and CDIL will not be responsible for any damages resulting from such sale(s).

CDIL strives for continuous improvement and reserves the right to change the specifications of its products without prior notice.



CDIL is a registered Trademark of  
**Continental Device India Limited**

C-120 Naraina Industrial Area, New Delhi 110 028, India.

Telephone + 91-11-2579 6150, 5141 1112 Fax + 91-11-2579 5290, 5141 1119  
email@cdil.com www.cdilsemi.com