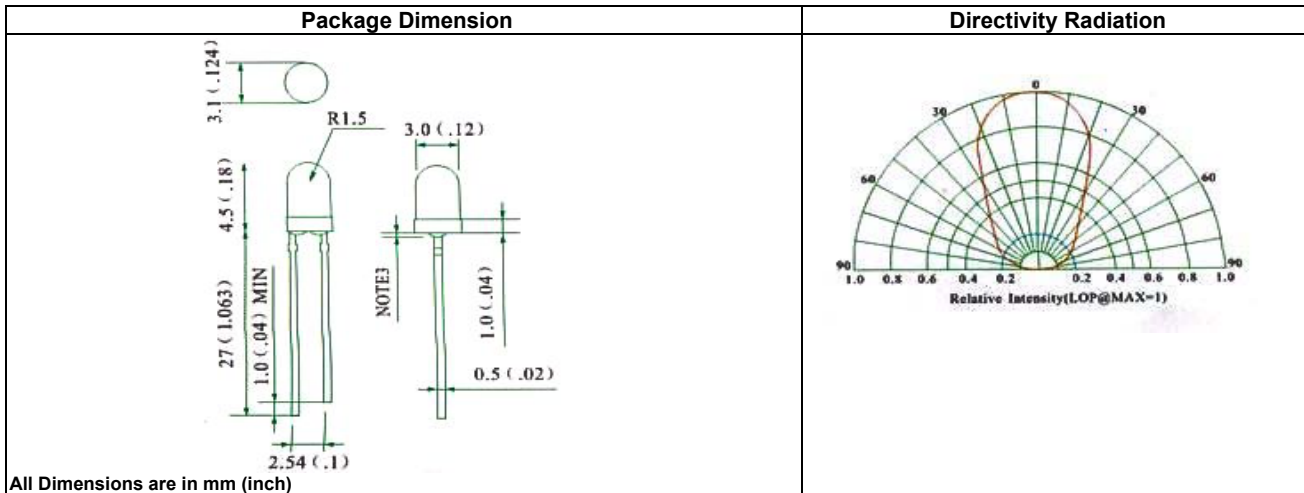


**3.1 mm Round Type LED, Viewing Angle - 60°**

**32M Series**



Electrical Characteristics							
Part No.	Chip Material	Emitted Colour	Lens Colour	Wave Length	Electro - Optical		
				λP (nm)	Characteristics (I <sub>f</sub> = 20mA)		I <sub>v</sub> (mcd)
					V <sub>f</sub> (v)		
		Typ.	Max				
32M70D-4001	GaP/GaP	Hi-Red	Red Diffused	700	1.8	2.6	2
32M70T-4001	GaP/GaP	Hi-Red	Red Transparent	700	1.8	2.6	10
32M71D-4001	GaAsP/GaP	Hi-Eff Red	Red Diffused	640	1.8	2.6	20
32M71T-4001	GaAsP/GaP	Hi-Eff Red	Red Transparent	640	1.8	2.6	150
32M41D-4001	GaP/GaP	Yellow Green	Green Diffused	570	1.8	2.6	10
32M41T-4001	GaP/GaP	Yellow Green	Green Transparent	570	1.8	2.6	50
32M51D-4001	GaAsP/GaP	Yellow	Yellow Diffused	585	1.8	2.6	10
32M51T-4001	GaAsP/GaP	Yellow	Yellow Transparent	585	1.8	2.6	50
32M61D-4001	GaAsP/GaP	Orange	Orange Diffused	605	1.8	2.6	10
32M61T-4001	GaAsP/GaP	Orange	Orange Transparent	605	1.8	2.6	50
32M11D-4001	GaN	Blue	Blue Diffused	470	2.6	3.8	200
32M11C-4001	GaN	Blue	Water	470	2.6	3.8	1000
32M22C-4001	GaN	Blue Green	Water	505	2.6	3.8	5000
32M32C-4001	GaN	Green	Water	525	2.6	3.8	5000
32M82C-4001	GaN	White	Water		2.6	3.8	2000
32M82W-4001	GaN	White	Water Diffused		2.6	3.8	500

32M\_LEDRev1\_100506

Electrical Parameter (at T <sub>a</sub> = 25°C)						
Colour	Reverse Voltage V <sub>r</sub> (v)	Forward Current I <sub>f</sub> (mA)	Forward Current Peak I <sub>fp</sub> * (mA)	Power Pd (mW)	Operating Temp T <sub>opr</sub> (°C)	Storage Temp T <sub>stg</sub> (°C)
Green (GaP)	6	25	100	80	-25 ~ +80	-40 ~ +40
Red (GaP)	6	25	100	80	-25 ~ +80	-40 ~ +40
Orange (GaAsP/GaP)	6	25	100	80	-25 ~ +80	-40 ~ +40
Yellow (GaAsP/GaP)	6	25	100	80	-25 ~ +80	-40 ~ +40
Ultra Yellow (AlGaInP)	6	30	100	80	-25 ~ +80	-40 ~ +40
Ultra Orange (AlGaInP)	6	30	100	80	-25 ~ +80	-40 ~ +40
Ultra Red (AlGaInP)	6	30	100	80	-25 ~ +80	-40 ~ +40
Ultra Yellow Green	6	30	100	80	-25 ~ +80	-40 ~ +40
Blue (GaN/SiC)	6	30	100	170	-25 ~ +80	-40 ~ +40

\* 1/10 Duty Cycle. 0.1 ms Pulse Width

Soldering Instructions						
Types	DIP and Wave Soldering			Iron Soldering (1.5 mm Iron Tip)		
	Temp of Soldering Bath	Max Soldering Time	Distance from Solder Joint to Case	Temp of Soldering Iron	Max Soldering Time	Distance from Solder to case
LEDs	≤ 260 °C	3S	>2mm	≤ 300 °C	3S	>2mm
	≤ 260 °C	5S	>4mm	≤ 300 °C	5S	>4mm

**Component Disposal Instructions**

1. All Devices are RoHS compliant, customers are requested to please dispose as per prevailing Environmental Legislation of their Country.
2. In Europe, please dispose as per EU Directive 2002/96/EC on Waste Electrical and Electronic Equipment (WEEE).

**Disclaimer**

The product information and the selection guides facilitate selection of the next LEDs best suited for application in your product(s) as per your requirement. It is recommended that you completely review our Data Sheet(s) so as to confirm that the LED(s) meet functionality parameters for your application. The information furnished in the Data Sheet and on the CDIL Web Site/CD are believed to be accurate and reliable. CDIL however, does not assume responsibility for inaccuracies or incomplete information. Furthermore, CDIL does not assume liability whatsoever, arising out of the application or use of any CDIL product; neither does it convey any license under its patent rights nor rights of others. These products are not designed for use in life saving/support appliances or systems. CDIL customers selling these products (either as individual LEDs or incorporated in their end products), in any life saving/support appliances or systems or applications do so at their own risk and CDIL will not be responsible for any damages resulting from such sale(s). CDIL strives for continuous improvement and reserves the right to change the specifications of its products without prior notice.



CDIL is a registered Trademark of  
**Continental Device India Limited**  
 C-120 Naraina Industrial Area, New Delhi 110 028, India.  
 Telephone + 91-11-2579 6150, 4141 1112 Fax + 91-11-2579 5290, 4141 1119  
 email@cdil.com www.cdilsemi.com