

# 1.25mm (0.049") PITCH CONNECTOR

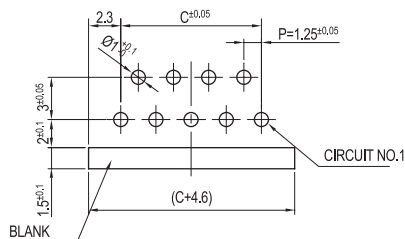
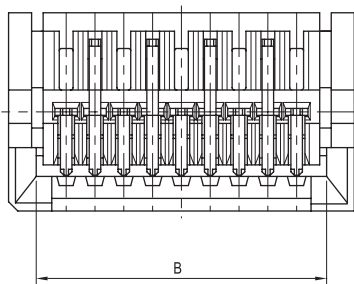
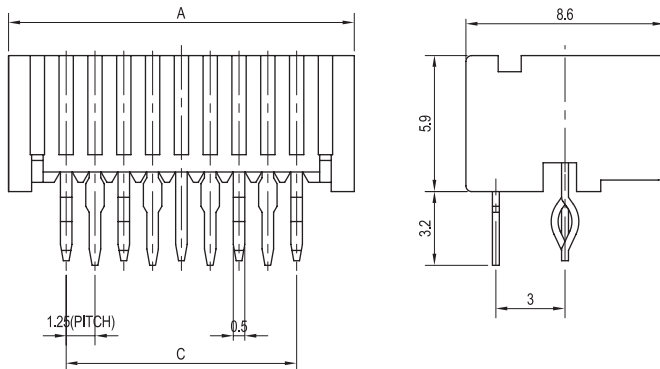
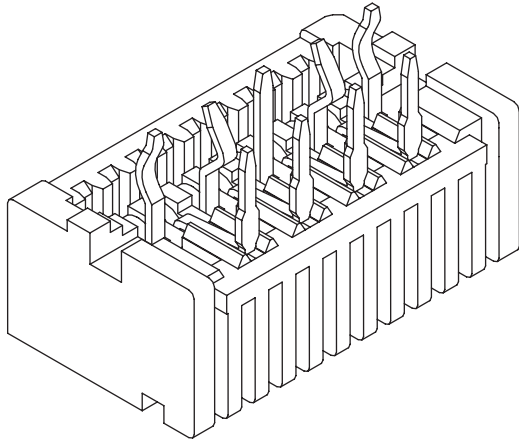


**BACK FPC/FFC Connector  
Housing**

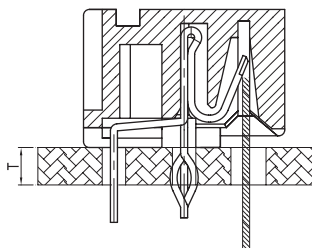
**12517HS Series**

**DIP, NON-ZIF**

**Straight**



PCB LAYOUT



PCB ASS'Y

## Material

I/NO	DESCRIPTION	TITLE	MATERIAL
1	HOUSING	12517HS	PBT, UL 94V Grade
2	TERMINAL	12517TS	Phosphor Bronze & Tin plated

## Available Pin

PARTS NO.	A	B	C
12517HS-06A00	11.15	8.85	6.25
12517HS-07A00	12.40	10.10	7.50
12517HS-08A00	13.65	11.35	8.75
12517HS-09A00	14.90	12.60	10.00
12517HS-10A00	16.15	13.85	11.25
12517HS-11A00	17.40	15.10	12.50
12517HS-12A00	18.65	16.35	13.75
12517HS-13A00	19.90	17.60	15.00
12517HS-14A00	21.15	18.85	16.25
12517HS-15A00	22.40	20.10	17.50
12517HS-16A00	23.65	21.35	18.75
12517HS-17A00	24.90	22.60	20.00
12517HS-18A00	26.15	23.85	21.25
12517HS-19A00	27.40	25.10	22.50
12517HS-20A00	28.65	26.35	23.75
12517HS-21A00	29.90	27.60	25.00
12517HS-22A00	31.15	28.85	26.25
12517HS-23A00	32.40	30.10	27.50
12517HS-24A00	33.65	31.35	28.75
12517HS-25A00	34.90	32.60	30.00
12517HS-26A00	36.15	33.85	31.25
12517HS-27A00	37.40	35.10	32.50
12517HS-28A00	38.65	36.35	33.75
12517HS-29A00	39.90	37.60	35.00
12517HS-30A00	41.15	38.85	36.25
12517HS-31A00	42.40	40.10	37.50
12517HS-32A00	43.65	41.35	38.75
12517HS-33A00	44.90	42.60	40.00
12517HS-34A00	46.15	43.85	41.25
12517HS-35A00	47.40	45.10	42.50
12517HS-36A00	48.65	46.35	43.75

## Specification

ITEM	SPEC
Voltage Rating	AC/DC 250V
Current Rating	AC/DC 1A
Operating Temperature	-25°C ~ +85°C
Contact Resistance	30mΩ MAX
Withstanding Voltage	AC500V/1min
Insulation Resistance	500MΩ MIN
Applicable Wire	-
Applicable P.C.B	1.2 ~ 1.6mm
Applicable FPC/FFC	0.30±0.05mm
Solder Height	-
Crimp Tensile Strength	-
UL FILE NO	-