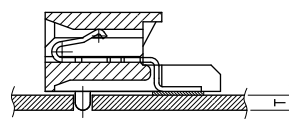
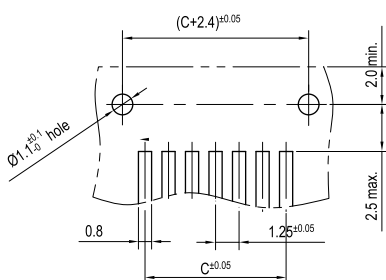
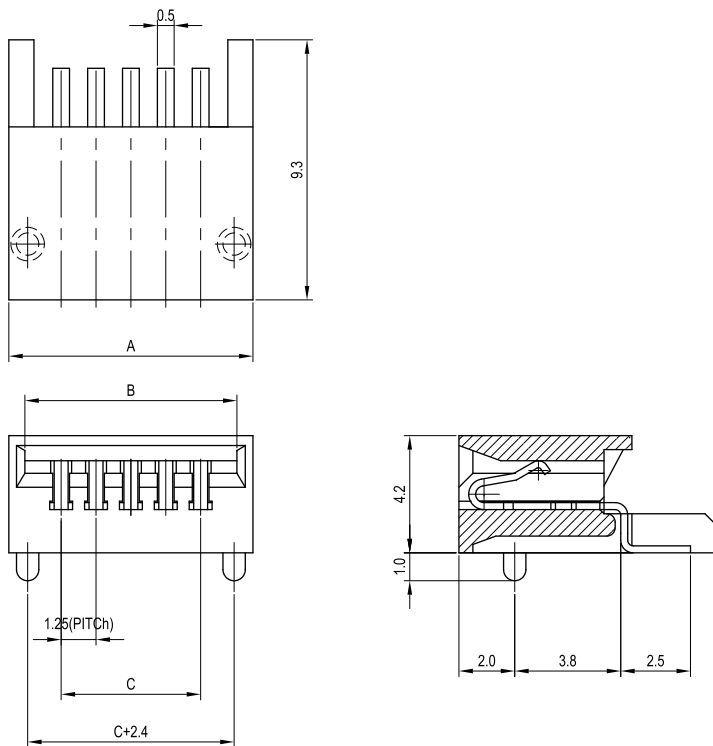
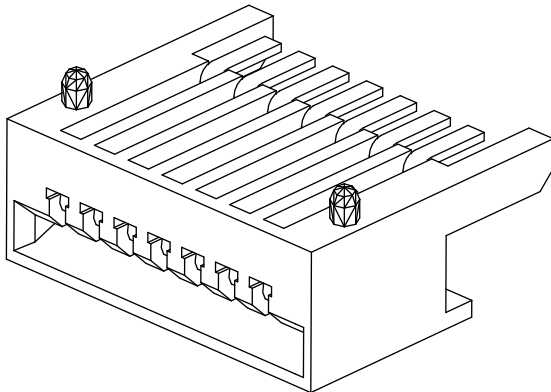


# 1.25mm (0.049") PITCH CONNECTOR



**FPC/FFC Connector Housing**

**12508BR Series**  
**SMT, NON-ZIF(Bottom Contact Type)**  
**Right Angle**



PCB LAYOUT

PCB ASS'Y

## Material

| I/NO | DESCRIPTION | TITLE   | MATERIAL                     |
|------|-------------|---------|------------------------------|
| 1    | HOUSING     | 12508BR | PPS, UL 94V Grade            |
| 2    | TERMINAL    | 12508TB | Phosphor Bronze & Tin plated |

## Available Pin

| PARTS NO.     | A     | B     | C     |
|---------------|-------|-------|-------|
| 12508BR-04A00 | 7.50  | 6.35  | 3.75  |
| 12508BR-05A00 | 8.75  | 7.60  | 5.00  |
| 12508BR-06A00 | 10.00 | 8.85  | 6.25  |
| 12508BR-07A00 | 11.25 | 10.10 | 7.50  |
| 12508BR-08A00 | 12.50 | 11.35 | 8.75  |
| 12508BR-09A00 | 13.75 | 12.60 | 10.00 |
| 12508BR-10A00 | 15.00 | 13.85 | 11.25 |
| 12508BR-11A00 | 16.25 | 15.10 | 12.50 |
| 12508BR-12A00 | 17.50 | 16.35 | 13.75 |
| 12508BR-13A00 | 18.75 | 17.60 | 15.00 |
| 12508BR-14A00 | 20.00 | 18.85 | 16.25 |
| 12508BR-15A00 | 21.25 | 20.10 | 17.50 |
| 12508BR-16A00 | 22.50 | 21.35 | 18.75 |
| 12508BR-17A00 | 23.75 | 22.60 | 20.00 |
| 12508BR-18A00 | 25.00 | 23.85 | 21.25 |
| 12508BR-19A00 | 26.25 | 25.10 | 22.50 |
| 12508BR-20A00 | 27.50 | 26.35 | 23.75 |
| 12508BR-21A00 | 28.75 | 27.60 | 25.00 |
| 12508BR-22A00 | 30.00 | 28.85 | 26.25 |
| 12508BR-23A00 | 31.25 | 30.10 | 27.50 |
| 12508BR-24A00 | 32.50 | 31.35 | 28.75 |
| 12508BR-25A00 | 33.75 | 32.60 | 30.00 |
| 12508BR-26A00 | 35.00 | 33.85 | 31.25 |
| 12508BR-27A00 | 36.25 | 35.10 | 32.50 |
| 12508BR-28A00 | 37.50 | 36.35 | 33.75 |
| 12508BR-29A00 | 38.75 | 37.60 | 35.00 |
| 12508BR-30A00 | 40.00 | 38.85 | 36.25 |

## Specification

| ITEM                   | SPEC          |
|------------------------|---------------|
| Voltage Rating         | AC/DC 250V    |
| Current Rating         | AC/DC 1A      |
| Operating Temperature  | -25°C ~ +85°C |
| Contact Resistance     | 30mΩ MAX      |
| Withstanding Voltage   | AC500V/1min   |
| Insulation Resistance  | 500MΩ MIN     |
| Applicable Wire        | -             |
| Applicable P.C.B       | 0.8 ~ 1.6mm   |
| Applicable FPC/FFC     | 0.30±0.05mm   |
| Solder Height          | 0.15mm        |
| Crimp Tensile Strength | -             |
| UL FILE NO             | -             |