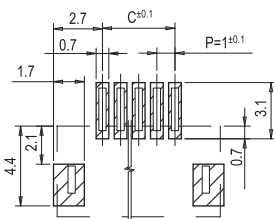
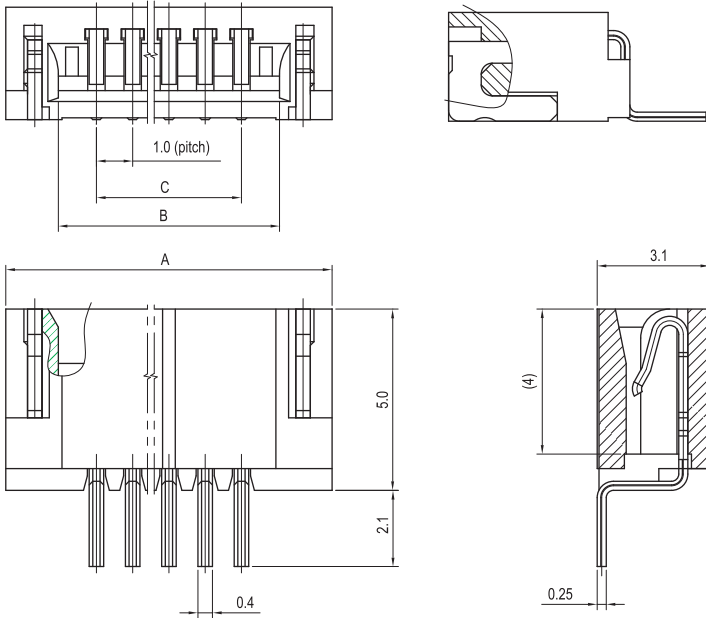
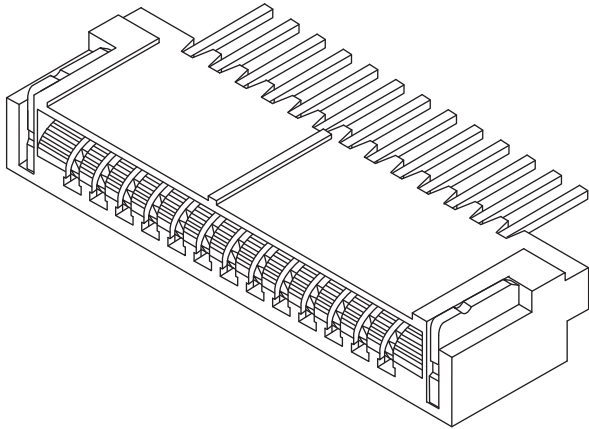


1.00mm (0.039") PITCH CONNECTOR

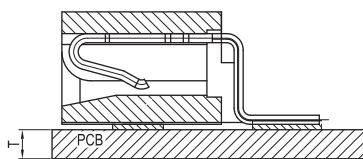


FPC/FFC Connector
Housing

10008HR Series
SMT, NON-ZIF(Top Contact Type)
Right Angle



PCB LAYOUT



PCB ASS'Y 결함도

Material

I/NO	DESCRIPTION	TITLE	MATERIAL
1	HOUSING	10008HR	PPS, UL 94V Grade
2	TERMINAL	10008TS	Phosphor Bronze & Tin plated
3	HOOK	20015LR	Brass & Tin plated

Available Pin

PARTS NO.	A	B	C
10008HR-03A00	7.0	4.1	2.0
10008HR-04A00	8.0	5.1	3.0
10008HR-05A00	9.0	6.1	4.0
10008HR-06A00	10.0	7.1	5.0
10008HR-07A00	11.0	8.1	6.0
10008HR-08A00	12.0	9.1	7.0
10008HR-09A00	13.0	10.1	8.0
10008HR-10A00	14.0	11.1	9.0
10008HR-11A00	15.0	12.1	10.0
10008HR-12A00	16.0	13.1	11.0
10008HR-13A00	17.0	14.1	12.0
10008HR-14A00	18.0	15.1	13.0
10008HR-15A00	19.0	16.1	14.0
10008HR-16A00	20.0	17.1	15.0
10008HR-17A00	21.0	18.1	16.0
10008HR-18A00	22.0	19.1	17.0
10008HR-19A00	23.0	20.1	18.0
10008HR-20A00	24.0	21.1	19.0
10008HR-21A00	25.0	22.1	20.0
10008HR-22A00	26.0	23.1	21.0
10008HR-23A00	27.0	24.1	22.0
10008HR-24A00	28.0	25.1	23.0
10008HR-25A00	29.0	26.1	24.0
10008HR-26A00	30.0	27.1	25.0
10008HR-27A00	31.0	28.1	26.0
10008HR-28A00	32.0	29.1	27.0
10008HR-29A00	33.0	30.1	28.0
10008HR-30A00	34.0	31.1	29.0

Specification

ITEM	SPEC
Voltage Rating	AC/DC 50V
Current Rating	AC/DC 0.5A
Operating Temperature	-25°C ~ +85°C
Contact Resistance	30mΩ MAX
Withstanding Voltage	AC500V/1min
Insulation Resistance	100MΩ MIN
Applicable Wire	-
Applicable P.C.B	0.8 ~ 1.6mm
Applicable FPC/FFC	0.30±0.05mm
Solder Height	0.15mm
Crimp Tensile Strength	-
UL FILE NO	-