



**VXR SERIES**

105°C 7000 hours, Snap-in Terminal Type.

◆FEATURES

- Load Life : 105°C 7000hours.
- RoHS compliance.



◆SPECIFICATIONS

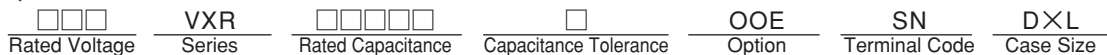
Items	Characteristics		
Category Temperature Range	-25~+105°C		
Rated Voltage Range	160~450WV		
Capacitance Tolerance	±20% (20°C, 120Hz)		
Leakage Current(MAX)	$I=3\sqrt{CV}$ (After 5 minutes application of rated voltage) $I$ =Leakage Current(μA) $V$ =Rated Voltage(V) $C$ =Rated Capacitance(μF)		
Dissipation Factor(MAX) (tan δ)	Rated Voltage	160~250WV	315~450WV (20°C, 120Hz)
	tan δ	0.15	0.20
Impedance Ratio(MAX)	Rated Voltage (V)	160~250WV	315~450WV (120Hz)
	Z(-25°C)/Z(20°C)	3	8
Endurance	After applying rated voltage with rated ripple current for 7000hrs at 105°C, the capacitors shall meet the following requirements.		
	Capacitance Change	Within ±20% of the initial value.	
	Dissipation Factor	Not more than 200% of the specified value.	
	Leakage Current	Not more than the specified value.	

◆MULTIPLIER FOR RIPPLE CURRENT

Frequency coefficient

(Hz) Frequency	60(50)	120	500	1k	10k≤
Coefficient 160~250WV	0.80	1.00	1.20	1.30	1.50
315~450WV	0.80	1.00	1.20	1.25	1.40

◆PART NUMBER

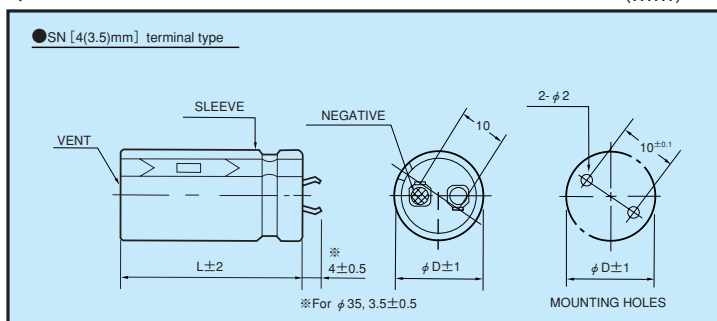


◆Option

	Code
without plate	OOE
with plate	Blank

◆DIMENSIONS

(mm)



**◆ STANDARD SIZE, RATED RIPPLE CURRENT**

Cap(μF)	WV φD	160				180			
		φ 22	φ 25	φ 30	φ 35	φ 22	φ 25	φ 30	φ 35
220						22×25: 1.00			
270		22×25: 1.10				22×25: 1.10			
330		22×25: 1.20				22×30: 1.20	25×25: 1.20		
390		22×30: 1.30	25×25: 1.30			22×30: 1.30	25×25: 1.30		
470		22×35: 1.40	25×30: 1.40			22×35: 1.40	25×30: 1.40	30×25: 1.40	
560		22×40: 1.50	25×30: 1.50	30×25: 1.50		22×40: 1.50	25×35: 1.50	30×25: 1.50	
680		22×45: 1.70	25×35: 1.70	30×30: 1.70		22×45: 1.70	25×35: 1.70	30×30: 1.70	
820		22×50: 2.00	25×40: 2.00	30×30: 2.00			25×40: 2.00	30×35: 2.00	35×30: 2.00
1000			25×45: 2.20	30×35: 2.20	35×30: 2.20		25×50: 2.20	30×35: 2.20	35×30: 2.20
1200			25×50: 2.30	30×40: 2.30	35×35: 2.30			30×40: 2.30	35×35: 2.30
1500				30×45: 2.50	35×35: 2.50			30×50: 2.50	35×40: 2.50
1800				30×50: 2.70	35×40: 2.70				35×45: 2.70
2200					35×45: 2.90				35×50: 2.90

Cap(μF)	WV φD	200				250			
		φ 22	φ 25	φ 30	φ 35	φ 22	φ 25	φ 30	φ 35
180						22×25: 0.90	25×25: 0.90		
220		22×25: 1.00				22×30: 1.00	25×25: 1.00		
270		22×30: 1.10	25×25: 1.10			22×35: 1.10	25×30: 1.10	30×25: 1.10	
330		22×30: 1.20	25×25: 1.20			22×40: 1.20	25×30: 1.20	30×25: 1.20	
390		22×35: 1.30	25×30: 1.30	30×25: 1.30		22×45: 1.30	25×35: 1.30	30×30: 1.30	
470		22×40: 1.40	25×35: 1.40	30×25: 1.40		22×50: 1.40	25×40: 1.40	30×30: 1.40	35×30: 1.40
560		22×45: 1.50	25×35: 1.50	30×30: 1.50			25×45: 1.50	30×35: 1.50	35×30: 1.50
680		22×50: 1.70	25×40: 1.70	30×30: 1.70			25×50: 1.70	30×40: 1.70	35×35: 1.70
820			25×45: 2.00	30×35: 2.00	35×30: 2.00			30×45: 2.00	35×35: 2.00
1000				30×40: 2.20	35×35: 2.20			30×50: 2.20	35×40: 2.20
1200				30×45: 2.30	35×40: 2.30				35×45: 2.30
1500					35×50: 2.50				

Cap(μF)	WV φD	315				350			
		φ 22	φ 25	φ 30	φ 35	φ 22	φ 25	φ 30	φ 35
82		22×25: 0.64				22×25: 0.64			
100		22×30: 0.69				22×30: 0.69	25×25: 0.69		
120		22×30: 0.75	25×25: 0.75			22×35: 0.75	25×30: 0.75		
150		22×35: 0.82	25×30: 0.82	30×25: 0.82		22×40: 0.82	25×30: 0.82	30×25: 0.82	
180		22×40: 0.90	25×30: 0.90	30×25: 0.90		22×45: 0.90	25×35: 0.90	30×30: 0.90	
220		22×45: 1.00	25×35: 1.00	30×30: 1.00		22×50: 1.00	25×40: 1.00	30×30: 1.00	
270			25×40: 1.10	30×35: 1.10	35×30: 1.10		25×45: 1.10	30×35: 1.10	35×30: 1.10
330			25×50: 1.20	30×40: 1.20	35×30: 1.20			30×40: 1.20	35×35: 1.20
390				30×40: 1.30	35×35: 1.30			30×45: 1.30	35×35: 1.30
470				30×45: 1.40	35×40: 1.40			30×50: 1.40	35×40: 1.40
560					35×45: 1.50				35×50: 1.50
680					35×50: 1.70				

Cap(μF)	WV φD	400				450			
		φ 22	φ 25	φ 30	φ 35	φ 22	φ 25	φ 30	φ 35
39						22×25: 0.37			
47						22×30: 0.40			
56		22×25: 0.51				22×35: 0.47	25×25: 0.47		
68		22×30: 0.56	25×25: 0.56			22×40: 0.53	25×30: 0.53		
82		22×30: 0.64	25×25: 0.64			22×45: 0.56	25×35: 0.56	30×25: 0.56	
100		22×35: 0.69	25×30: 0.69			22×50: 0.64	25×40: 0.64	30×30: 0.64	
120		22×40: 0.75	25×30: 0.75	30×25: 0.75			25×45: 0.72	30×30: 0.72	
150		22×45: 0.82	25×35: 0.82	30×30: 0.82			25×50: 0.79	30×40: 0.79	35×30: 0.79
180		22×50: 0.90	25×40: 0.90	30×30: 0.90	35×25: 0.90			30×45: 0.87	35×35: 0.87
220			25×45: 1.00	30×35: 1.00	35×30: 1.00			30×50: 1.00	35×40: 1.00
270				30×40: 1.10	35×35: 1.10				35×45: 1.19
330				30×45: 1.20	35×40: 1.20				35×50: 1.38
390					35×45: 1.30				
470					35×50: 1.40				

Case Size φ D×L(mm) ↑

↑ Ripple Current (A r.m.s./120Hz, 105°C)