

## Frequency Synthesizer

### Description

The programmable frequency synthesizer IC U2781B for  $\mu$ P-controlled application is realized with TEMIC's advanced UHF process which is very suitable for combinations of fast ECL logic and low-current I<sup>2</sup>L logic. The benefits are high input sensitivity in connection with low power consumption and therefore small packages (SSO20). This makes the device a perfect

choice for cordless phones and handheld cellular radio sets up to 1.1 GHz.

Electrostatic sensitive device.  
Observe precautions for handling.



### Features

- Very low current consumption (typ. 3 V/ 5 mA)
- Supply voltage range: 2.7 to 5.5 V
- Max. input frequency: 1.1 GHz
- Programmable prescaler 64/ 65 or 128/ 129
- Controlled by 3-wire bus with  $f_{\text{clock}}$  up to 500 kHz
- Status output for PLL lock/ unlock condition
- Very fast phase detector
- SSO20 package
- ESD protection in accordance with MIL-STD. 883 method 3015 class 2

### Benefits

- Very low current consumption extends talk time
- Few external components and SSO package save costs and space

### Block Diagram

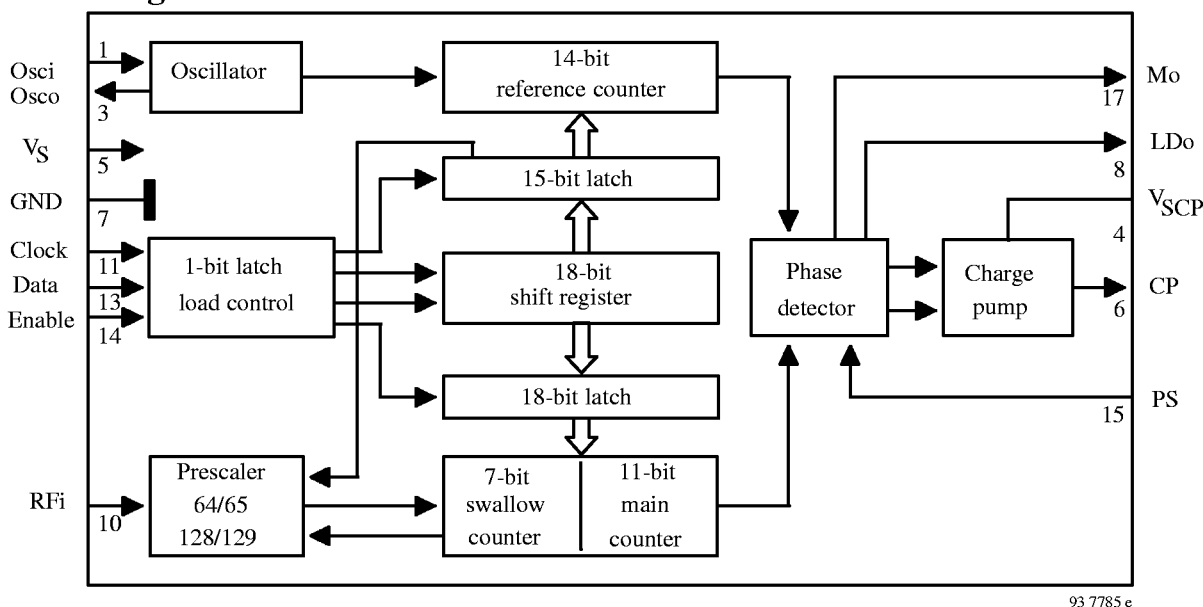


Figure 1. Block diagram

### Ordering Information

Extended Type Number	Package	Remarks
U2781B-AFS	SS020	Rail, MOQ 830 pcs
U2781B-AFSG3	SS020	Tape and reel, MOQ 4000 pcs

## Functional Description

The IC is controlled by a 3-wire bus with Clock, Data and Enable inputs for programming the scaling factors of the programmable counter, the reference counter and the prescaler.

A TCXO can be connected to the oscillator input (OSCi) as an alternative solution to the common crystal reference oscillator. In that case, the oscillator output (OSCo) should be left open.

should be left open.

The charge pump-output operates as switched current sources. The characteristics of the phase-locked loop can be determined by the external low-pass filter.

The phase characteristic of the phase detector is convertible and thus matchable to different frequency/ tuning voltage characteristics.

## Pin Description

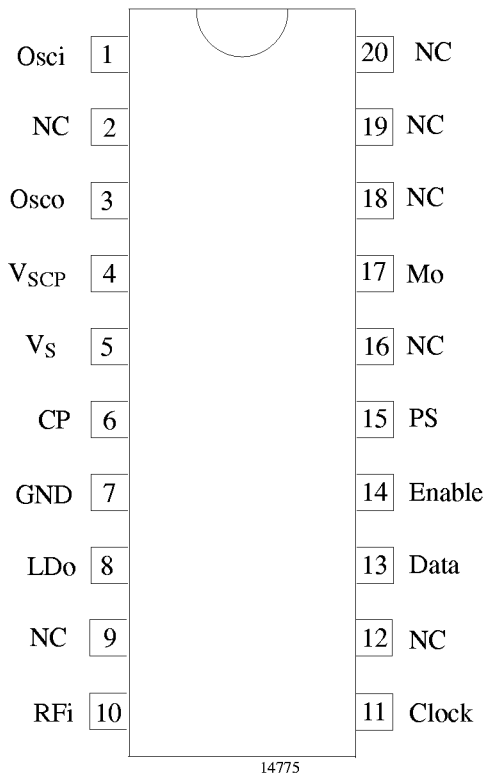


Figure 2. Pinning

Pin	Symbol	Function
1	Osci	Oscillator input
2	NC	Not connected
3	OscO	Oscillator output
4	VSCP	Charge-pump supply voltage
5	V <sub>s</sub>	Supply voltage
6	CP	Charge-pump output
7	GND	Ground
8	LDo	Lock-detector output
9	NC	Not connected
10	RFi	VCO input
11	Clock	3-wire bus Clock
12	NC	Not connected
13	Data	3-wire bus Data
14	Enable	3-wire bus Enable
15	PS	Phase select input
16	NC	Not connected
17	Mo	Monitor output for f <sub>p</sub> and f <sub>r</sub>
18	NC	Not connected
19	NC	Not connected
20	NC	Not connected

## Absolute Maximum Ratings

Parameters	Symbol	Value	Unit
Supply voltage	V <sub>S</sub>	- 0.3 to 6	V
RF input	V <sub>RF</sub>	V <sub>S</sub>	V
Oscillator input voltage	V <sub>Osci</sub>	1	V
Oscillator output voltage	V <sub>OscO</sub>	1.5	V
Bus input voltage	V <sub>BUS</sub>	6	V
Phase-select input voltage	V <sub>PS</sub>	6	V
Charge-pump input voltage	V <sub>SCP</sub>	6	V
Storage temperature	T <sub>stg</sub>	- 40 to 125	°C

## Operating Range

Parameters	Symbol	Value	Unit
Supply voltage	$V_S$	2.7 to 5.5	V
Ambient temperature	$T_{amb}$	-40 to 85	°C

## Thermal Resistance

Parameters	Symbol	Value	Unit
Junction ambient SSO20	$R_{thJA}$	140	K/W

## Electrical Characteristics

$T_{amb} = 25^\circ\text{C}$ ,  $V_S = 2.7$  to  $5.5$  V, unless otherwise specified

Parameters	Test Conditions / Pin	Symbol	Min	Typ	Max	Unit
<b>DC supply</b>						
Supply voltage		$V_S$	2.7		5.5	V
Supply current	$V_S = 3$ V	$I_S$		5		mA
Supply voltage CP		$V_{SCP}$	$V_S$		5.5	V
Supply current CP	$V_{CP} = 5$ V, PLL in locked condition	$I_{SCP}$		1		μA
<b>RF input</b>						
Input voltage	$R_S = 50 \Omega$ *)	$V_{imin}$		20		mV <sub>RMS</sub>
$f_i = 200$ to $1100$ MHz	$R_S = 50 \Omega$ *)	$V_{imax}$		200		mV <sub>RMS</sub>
Frequency range		$f_{imin}$ $f_{imax}$	1100	50 1250		MHz MHz
Scaling factor prescaler		$S_{PSC}$		64/128		
Scaling factors main counter		$S_M$	4		2047	
Scaling factors swallow counter		$S_S$	0		127	
<b>Reference oscillator</b>						
Input voltage	$R_S = 50 \Omega$ *) $R_S = 50 \Omega$ *)	$V_{imin}$ $V_{imax}$		20 200		mV <sub>RMS</sub> mV <sub>RMS</sub>
Frequency range		$f_{imin}$ $f_{imax}$		0,1 20		MHz MHz
Scaling factor reference counter		$S_R$	4		16383	
<b>3-wire bus (Clock, Data, Enable) and PS</b>						
High input voltage		$V_{iH}$	1.5	0.9		V
Low input voltage		$V_{iL}$	0		0.4	V
High input current		$I_{iH}$			5	μA
Low input current		$I_{iL}$	-5			μA
<b>Monitor output (Emitter follower)</b>						
High output voltage	$V_S = 3$ V	$V_{iH}$	2.1	2.2		V
Low output voltage	$I_{MO} = 0.5$ mA	$V_{iL}$		1.8	1.9	V
Charge-pump output						
Source current	$V_{CP} = 5$ V	$I_{source}$		-1		mA
Sink current		$I_{sink}$		1		mA
Leakage current	$V_{CP} = 5$ V	$I_{leak}$		±5		nA
<b>Lock-detektor output (open collector)</b>						
Saturation voltage	$I_{LD} = 1$ mA	$V_{sat}$		0.2	0.4	V
Leakage current	$V_{LD} = 5$ V	$I_{leak}$		5		nA

\*) RMS voltage at  $50 \Omega$

## Functional Description

The reference- and the programmable counter can be programmed by the 3-wire bus (Clock, Data and Enable). The Data Signal is transferred bit by bit into the shift register during the rising edge, starting with the MSB-bit.

As soon as the enable signal is in high condition, the content of the shift register will be taken over either into the 15-bit reference counter latch (C = H) or into the 18-bit latch of the programmable counter (C = L)

## Reference Counter (15bit shift register)

LSB														MSB		
C	R0	R1	R2	R3	R4	R5	R6	R7	R8	R9	R10	R11	R12	R13	PSC	

C: Control bit High

PSC: Prescaler scaling factor bit: High – 64/65  
Low – 128/129

$S_{PSC} = 64$  or  $128$

R0 to R13: These bits are setting the reference counter  $S_R$   
 $S_R = R0 \times 2^0 + R1 \times 2^1 + \dots + R12 \times 2^{12} + R13 \times 2^{13}$   
 permitted scaling factors for  $S_R$ : 4 to 16383

## Programmable Counter (18-bit shift register)

LSB														MSB				
C	S0	S1	S2	S3	S4	S5	S6	M0	M1	M2	M3	M4	M5	M6	M7	M8	M9	M10

C: Control bit Low

S0 to S6: These bits are setting the swallow counter  $S_S$ .  
 $S_S = S0 \times 2^0 + S1 \times 2^1 + \dots + S5 \times 2^5 + S6 \times 2^6$   
 permitted scaling factors for  $S_S$ : 0 to 127,  $S_S < S_M$

M0 to M10: These bits are setting the main counter  $S_M$ .  
 $S_M = M0 \times 2^0 + M1 \times 2^1 + \dots + M9 \times 2^9 + M10 \times 2^{10}$   
 permitted scaling factors for  $S_M$ : 4 to 2047

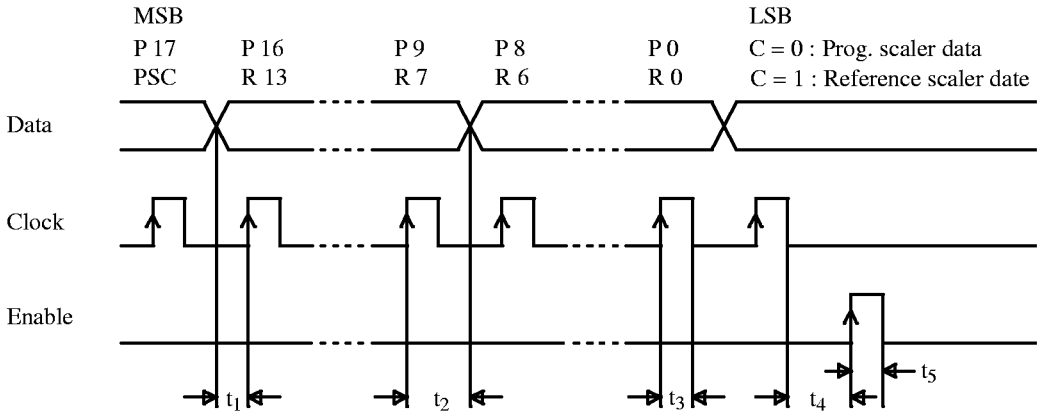
Total scaling factor  $S_P$  of the programmable counter

$$S_P = (S_{PSC} \times S_M) + S_S \quad \text{Condition: } S_S < S_M$$

## VCO Frequency

$$f_{VCO} = ((S_{PSC} \times S_M) + S_S) \times f_{RefOsc} / S_R$$

**Timing 3-Wire Bus**



All times  $t_1$  to  $t_5 > 1 \mu s$

93 7787 e

Figure 3.

**Phase-Detector Polarity**

The polarity of the phase detector can be changed with the PS input. Depending on the PS input level, the charge-pump current will also be inverted. The monitor output

signal MO (emitter follower output with ECL level) will be switched over from  $f_P$  to  $f_R$  simultaneously.

	PS = High or Open		PS = Low	
	CP	MO	CP	MO
$f_R > f_P$	$I_{sink}$	$f_R$	$I_{source}$	$f_P$
$f_R < f_P$	$I_{source}$	$f_R$	$I_{sink}$	$f_P$
$f_R = f_P$	0	$f_R$	0	$f_P$

Depending on the VCO frequency versus tuning voltage characteristic, the PS input has to be programmed as follows:

For increasing tuning voltage and increasing frequency: PS = High or open  
 decreasing frequency: PS = Low.

## Pulse Diagram Phase and Lock Detector

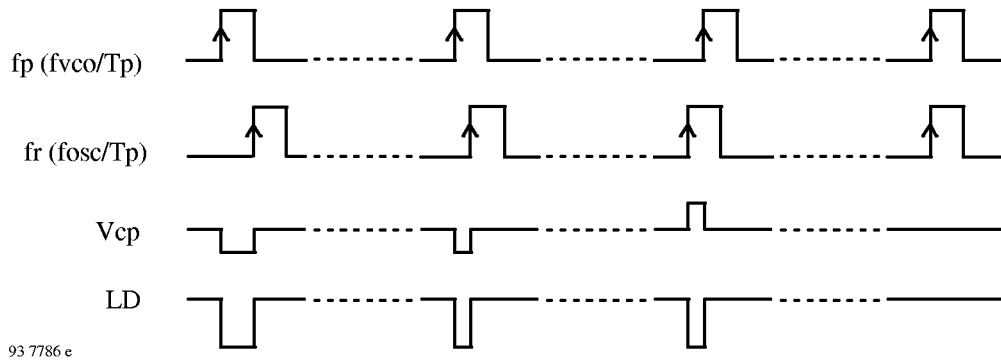


Figure 4.

The LD output is in unlocked condition at low level and the pulsewidth is in reference to the phase respectively frequency difference at the phase detector. If the phase detector output pulses are smaller than 100 ns, the LD output goes high and indicates "lock" condition.

## Test Circuit

Input sensitivity

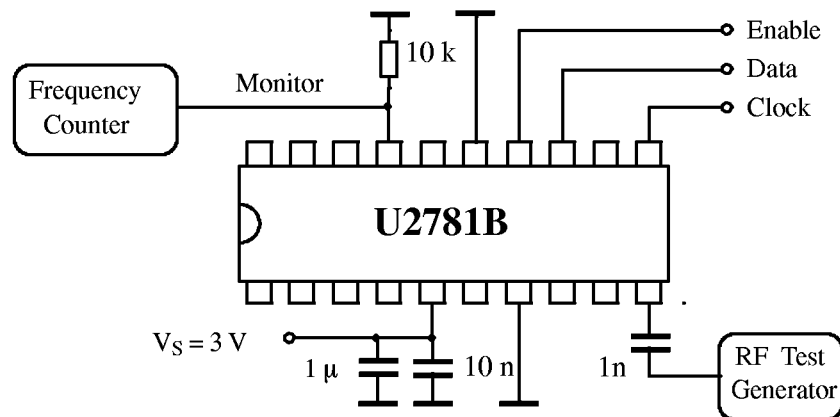


Figure 5.

**Typical Input Sensitivity**

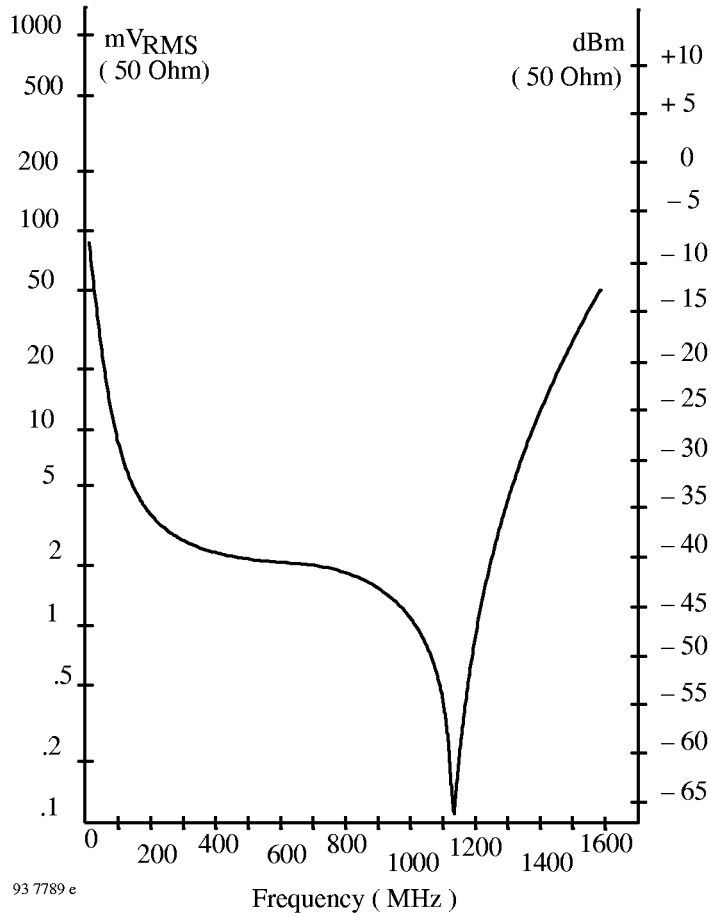


Figure 6.

**Application Circuit**

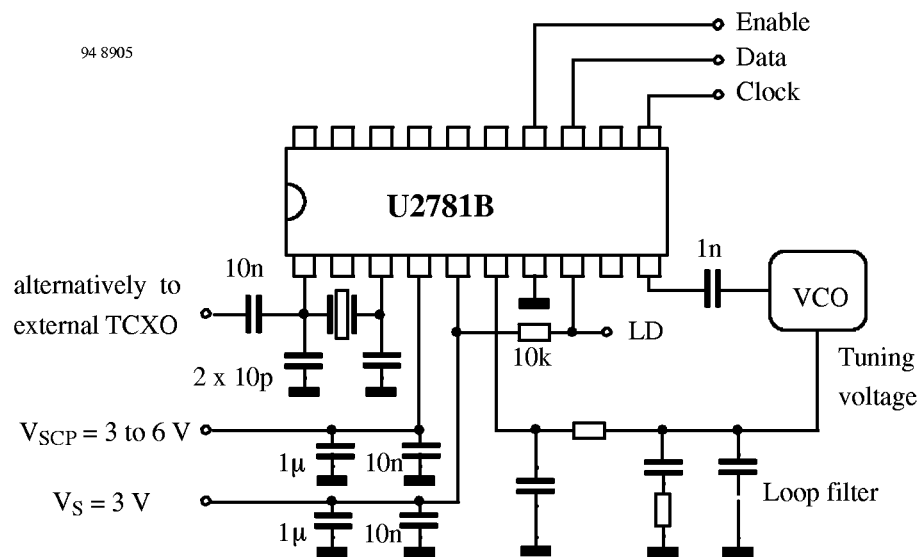


Figure 7.

## Input Impedance

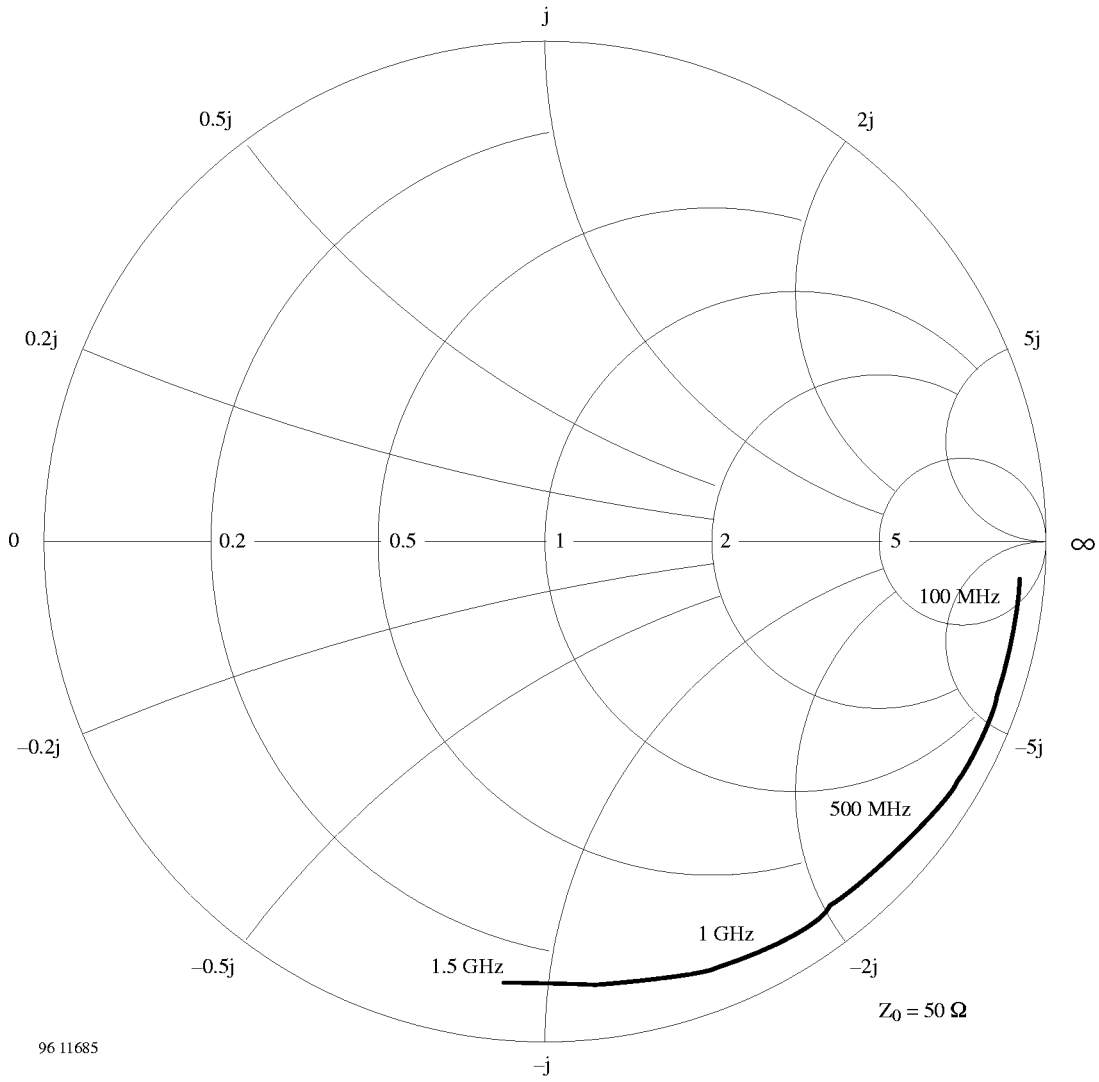
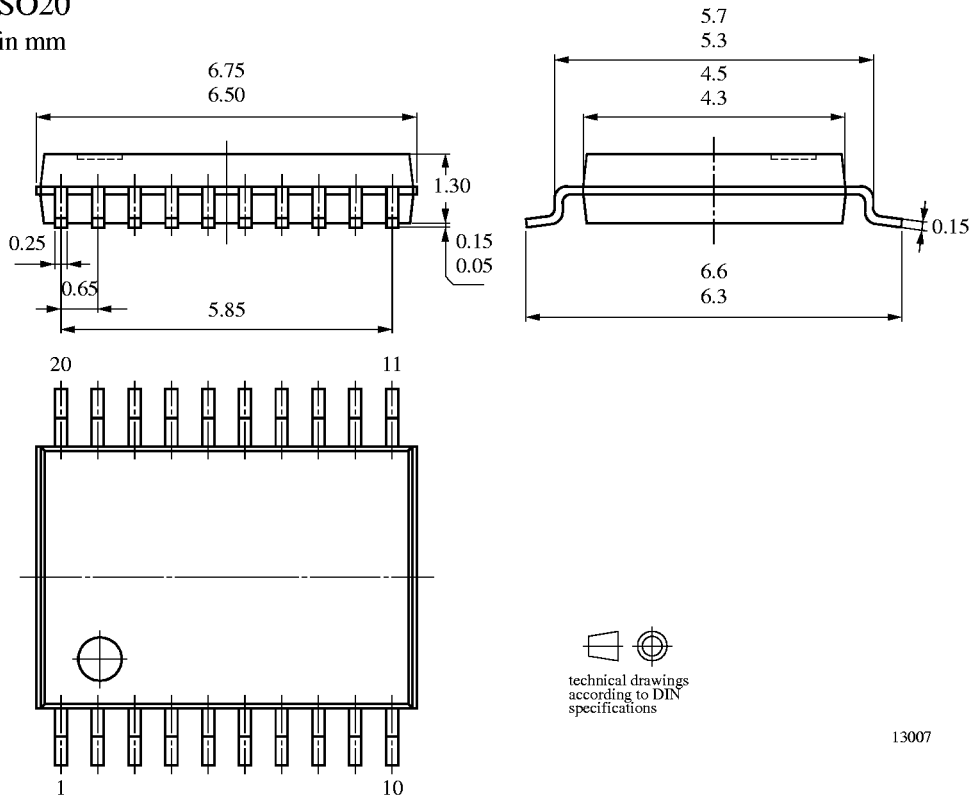


Figure 8.



**Package Information**

Package SSO20  
Dimensions in mm



## Ozone Depleting Substances Policy Statement

It is the policy of **TEMIC TELEFUNKEN microelectronic GmbH** to

1. Meet all present and future national and international statutory requirements.
2. Regularly and continuously improve the performance of our products, processes, distribution and operating systems with respect to their impact on the health and safety of our employees and the public, as well as their impact on the environment.

It is particular concern to control or eliminate releases of those substances into the atmosphere which are known as ozone depleting substances (ODSs).

The Montreal Protocol (1987) and its London Amendments (1990) intend to severely restrict the use of ODSs and forbid their use within the next ten years. Various national and international initiatives are pressing for an earlier ban on these substances.

**TEMIC TELEFUNKEN microelectronic GmbH** semiconductor division has been able to use its policy of continuous improvements to eliminate the use of ODSs listed in the following documents.

1. Annex A, B and list of transitional substances of the Montreal Protocol and the London Amendments respectively
2. Class I and II ozone depleting substances in the Clean Air Act Amendments of 1990 by the Environmental Protection Agency (EPA) in the USA
3. Council Decision 88/540/EEC and 91/690/EEC Annex A, B and C (transitional substances) respectively.

**TEMIC** can certify that our semiconductors are not manufactured with ozone depleting substances and do not contain such substances.

**We reserve the right to make changes to improve technical design and may do so without further notice.**

Parameters can vary in different applications. All operating parameters must be validated for each customer application by the customer. Should the buyer use TEMIC products for any unintended or unauthorized application, the buyer shall indemnify TEMIC against all claims, costs, damages, and expenses, arising out of, directly or indirectly, any claim of personal damage, injury or death associated with such unintended or unauthorized use.

TEMIC TELEFUNKEN microelectronic GmbH, P.O.B. 3535, D-74025 Heilbronn, Germany  
Telephone: 49 (0)7131 67 2831, Fax number: 49 (0)7131 67 2423