



FEATURES

- New telecom relay
- Available with magnetic latching
- Single side stable, single coil or dual coil latching
- DIL package for PC board or socket
- Ideal for computer peripherals and telecommunications

CONTACT RATINGS

Form	2 Form C
Rated Load	2A, 30VDC; 1A, 125VAC
Max switching current	5A
Max switching voltage	220VDC or 250VAC
Max switching power	60W or 125VA

CONTACT DATA

Material		Ag alloy + Au clad
Initial contact resistance		50 milliohms max at 0.01A, 6VDC
Service life	Mechanical	1 X 10 ⁸ ops.
	Electrical	1 X 10 ⁵ ops. @ 2A, 30VDC 5 X 10 ⁵ ops. @ 1A, 30VDC

COIL DATA

SINGLE SIDE STABLE

Designation	Nominal Voltage (VDC)	Resistance Ohms ± 10%	Power Consumption	Must Operate Voltage Max.	Max Allowable Voltage	Must Release Voltage Min.
05-AL	5	167	0.15W	4.0	11.5	0.5
06-AL	6	240		4.8	13.8	0.6
09-AL	9	540		7.2	20.8	0.9
12-AL	12	960		9.6	27.7	1.2
15-AL	15	1500		12.0	34.6	1.5
24-AL	24	3840		19.2	55.4	2.4
05-AH	5	125	0.2W	3.5	10.0	0.5
06-AH	6	180		4.2	12.0	0.6
09-AH	9	405		6.3	18.0	0.9
12-AH	12	720		8.4	24.0	1.2
15-AH	15	1125		10.5	30.0	1.5
24-AH	24	2880		16.8	48.0	2.4
48-AH	48	11520		36.0	96.0	4.8

SINGLE COIL LATCHING

Designation	Nominal Voltage	Resistance Ohms ± 10%	Power Consumption	Set and Reset Voltage Min.	Max. Allowable Voltage
05-BJ	5	330	0.075W	4.00	16
06-BJ	6	480		4.80	19
09-BJ	9	1080		7.20	29
12-BJ	12	1920		9.60	39
15-BJ	15	3000		12.00	43
24-BJ	24	7680		19.00	78
05-BM	5	250	0.1W	3.75	14
06-BM	6	360		4.50	17
09-BM	9	810		6.75	25
12-BM	12	1440		9.00	34
15-BM	15	2220		11.25	42
24-BM	24	4000		18.00	56

DUAL COIL LATCHING

Designation	Nominal Voltage	Resistance Ohms ± 10%	Power Consumption	Set and Reset Voltage Min.	Max. Allowable Voltage
05-CL	5	167	0.15W	4.00	11.5
06-CL	6	240		4.80	13.8
09-CL	9	540		7.20	20.8
12-CL	12	960		9.60	27.7
15-CL	15	1500		12.00	34.6
24-CL	24	3840		19.20	55.4
05-CH	5	125	0.2W	3.75	10.0
06-CH	6	180		4.50	12.0
09-CH	9	405		6.75	18.0
12-CH	12	720		9.00	24.0
15-CH	15	1125		11.25	30.0
24-CH	24	2040		18.00	48.0

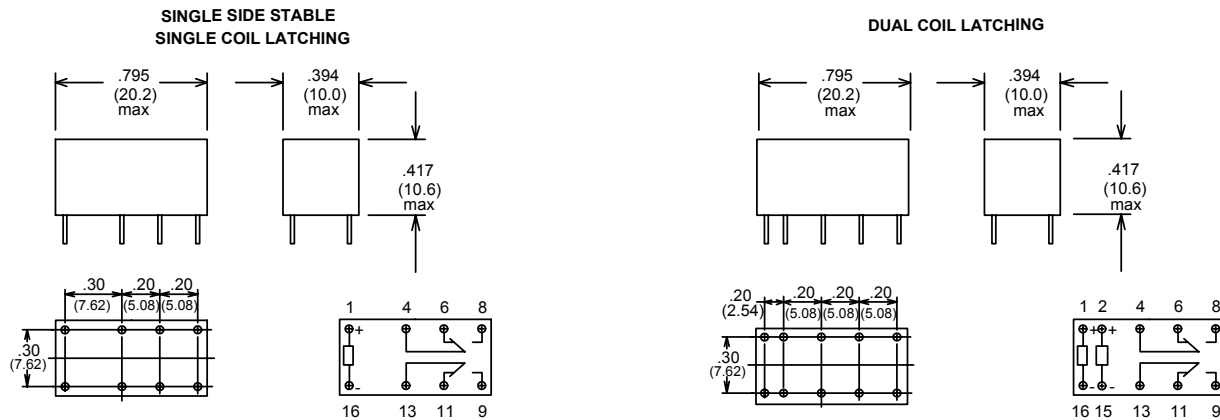
ORDERING INFORMATION

Example:	PC332-	05	C	L
Model				
Coil Voltage				
A: Single Side Stable				
B: Single Coil Latching; C: Dual Coil Latching				
Coil Sensitivity				
L: 0.15W; H: 0.2W				
J: Sensitive 0.075W; M: Sensitive 0.1W *				

* Sensitive versions J and M are for single coil latching only.

CHARACTERISTICS

Operate Time	4 ms. typical
Release Time	3 ms. typical
Insulation Resistance	1,000 megohms, at 500VDC, 50%RH
Dielectric Strength	1000 Vrms, 1 min. between open contacts 1500 Vrms, 1 min. between coil and contacts
Surge Strength	1500 Volts
Shock Resistance	5 g, 11ms. functional; 10 g, 11ms. destructive
Vibration Resistance	2 g
Power Consumption	Standard 0.15 - 0.2W, Sensitive 0.075 - 0.1W
Ambient Temperature Range	-40 to 85 degrees C operating, -40 to 130 degrees C storage
Weight	8 grams approx.



NOTES

1. All parameters, unless otherwise specified, are measured at a 20 degrees C ambient temperature.
2. For the single coil latching version, the wiring diagram shows the reset position. + on terminal 1 and - on terminal 16 will set. Reverse polarity will reset.
3. For the dual coil latching version, energize 1 and 16 to set and 2 and 15 to reset.
4. Tolerances $\pm .010$ in. unless otherwise noted
5. PC board hole diameter for all holes $.035 \pm .005$ ($.9 \pm .13$)



3220 Commander Drive, Suite 102, Carrollton, Texas 75006

Sales: Call Toll Free (888) 997-3933 Fax (818) 342-5296 email: pickerwest@sbcglobal.net URL: pickercomponents.com