



**SRAM MODULE 512KByte (128K x 32-Bit) 3.3V, 64Pin-SIMM**

**Part No. HMS12832M4V**

## GENERAL DESCRIPTION

The HMS12832M4V is a high-speed static random access memory (SRAM) module containing 131,072 words organized in a x32-bit configuration. The module consists of four 128K x 8 SRAMs mounted on a 64-pin, single-sided, FR4-printed circuit board.

PD0 and PD1 identify the module's density allowing interchangeable use of alternate density, industry- standard modules. Four chip enable inputs, (/CE1, /CE2, /CE3 and /CE4) are used to enable the module's 4 bytes independently. Output enable(/OE) and write enable(/WE) can set the memory input and output.

Data is written into the SRAM memory when write enable (/WE) and chip enable (/CE) inputs are both LOW. Reading is accomplished when /WE remains HIGH and /CE and output enable (/OE) are LOW.

For reliability, this SRAM module is designed as multiple power and ground pin. All module components may be powered from a single +3.3V DC power supply and all inputs and outputs are fully TTL-compatible.

## FEATURES

- w Access times : 8, 10, 12, 15 and 20ns
- w High-density 512KByte design
- w High-reliability, high-speed design
- w Single + 3.3V  $\pm$ 0.3V power supply
- w Easy memory expansion with /CE and /OE functions
- w All inputs and outputs are TTL-compatible
- w Industry-standard pinout
- w FR4-PCB design

## OPTIONS

- w Timing
  - 8ns access
  - 10ns access
  - 12ns access
  - 15ns access
  - 20ns access
- w Packages
  - 64-pin SIMM

## MARKING

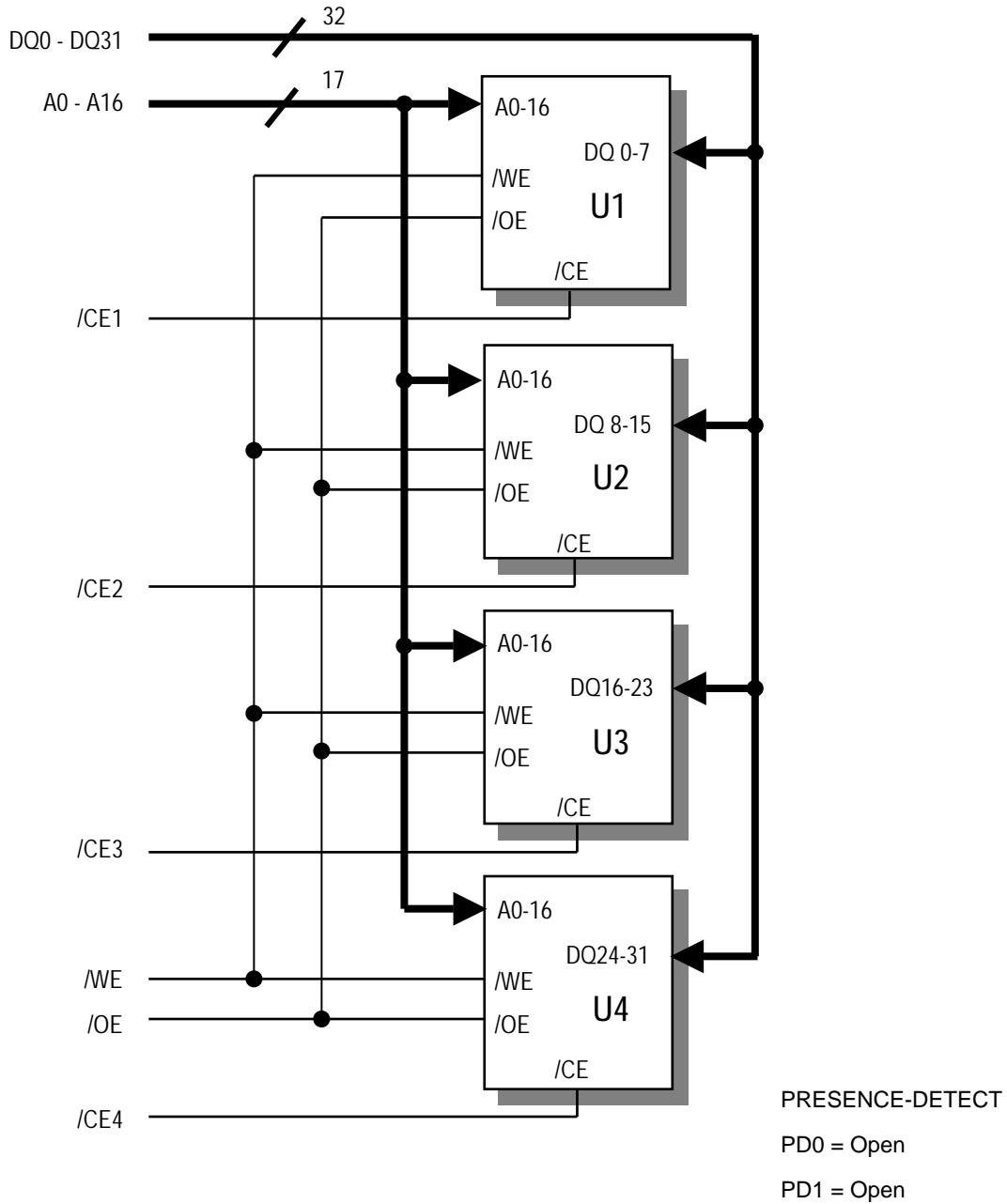
- 8
- 10
- 12
- 15
- 20
- M

## PIN ASSIGNMENT

PIN	SYMBOL	PIN	SYMBOL	PIN	SYMBOL	PIN	SYMBOL
1	Vss	17	A2	33	/CE4	49	A4
2	NC	18	A9	34	/CE3	50	A11
3	NC	19	DQ12	35	NC	51	A5
4	DQ0	20	DQ4	36	A16	52	A12
5	DQ8	21	DQ13	37	/OE	53	Vcc
6	DQ1	22	DQ5	38	Vss	54	A13
7	DQ9	23	DQ14	39	DQ24	55	A6
8	DQ2	24	DQ6	40	DQ16	56	DQ20
9	DQ10	25	DQ15	41	DQ25	57	DQ28
10	DQ3	26	DQ7	42	DQ17	58	DQ21
11	DQ11	27	Vss	43	DQ26	59	DQ29
12	Vcc	28	/WE	44	DQ18	60	DQ22
13	A0	29	A15	45	DQ27	61	DQ30
14	A7	30	A14	46	DQ19	62	DQ23
15	A1	31	/CE2	47	A3	63	DQ31
16	A8	32	/CE1	48	A10	64	Vss

SIMM  
TOP VIEW

FUNCTIONAL BLOCK DIAGRAM



TRUTH TABLE

MODE	/OE	/ICE	/WE	DQ	POWER
STANDBY	X	H	X	HIGH-Z	STANDBY
NOT SELECTED	H	L	H	HIGH-Z	ACTIVE
READ	L	L	H	Dout	ACTIVE
WRITE	X	L	L	Din	ACTIVE

**ABSOLUTE MAXIMUM RATINGS\***

PARAMETER	SYMBOL	RATING
Voltage on Any Pin Relative to V <sub>SS</sub>	V <sub>IN,OUT</sub>	-0.5V to 4.6V
Voltage on V <sub>CC</sub> Supply Relative to V <sub>SS</sub>	V <sub>CC</sub>	-0.5V to 4.6V
Power Dissipation	P <sub>D</sub>	4.0W
Storage Temperature	T <sub>STG</sub>	-65°C to +150°C
Operating Temperature	T <sub>A</sub>	0°C to +70°C

w Stresses greater than those listed under " Absolute Maximum Ratings" may cause permanent damage to the device.

This is a stress rating only and functional operation of the device at these or any other conditions above those indicated in the operating section of this specification is not implied. Exposure to absolute maximum rating conditions for extended periods may affect reliability.

**RECOMMENDED DC OPERATING CONDITIONS ( T<sub>A</sub>=0 to 70 ° C )**

PARAMETER	SYMBOL	MIN	TYP.	MAX
Supply Voltage	V <sub>CC</sub>	3.0V	3.3V	3.6V
Ground	V <sub>SS</sub>	0	0	0
Input High Voltage	V <sub>IH</sub>	2.2	-	V <sub>CC</sub> +0.5V**
Input Low Voltage	V <sub>IL</sub>	-0.5*	-	0.8V

\* V<sub>IL</sub>(Min.) = -2.0V ac (Pulse Width ≤ 10ns) for I ≤ 20 mA

\*\* V<sub>IH</sub>(Min.) = V<sub>CC</sub>+2.0V ac (Pulse Width ≤ 10ns) for I ≤ 20 mA

**DC AND OPERATING CHARACTERISTICS (1)(0°C ≤ T<sub>A</sub> ≤ 70 °C ; V<sub>CC</sub> = 3.3V ± 10% )**

PARAMETER	TEST CONDITIONS	SYMBOL	MIN	MAX	UNITS
Input Leakage Current	V <sub>IN</sub> =V <sub>SS</sub> to V <sub>CC</sub>	I <sub>L1</sub>	-8	8	μA
Output Leakage Current	/CE=V <sub>IH</sub> or /OE=V <sub>IH</sub> or /WE=V <sub>IL</sub> V <sub>OUT</sub> =V <sub>SS</sub> to V <sub>CC</sub>	I <sub>L0</sub>	-8	8	μA
Output High Voltage	I <sub>OH</sub> = -4.0mA	V <sub>OH</sub>	2.4		V
Output Low Voltage	I <sub>OL</sub> = 8.0mA	V <sub>OL</sub>		0.4	V

\* V<sub>CC</sub>=3.3V, Temp=25 °C

**DC AND OPERATING CHARACTERISTICS (2)**

DESCRIPTION	TEST CONDITIONS	SYMBOL	MAX			UNIT
			-8	-10	-12	
Power Supply Current:Operating	Min. Cycle, 100% Duty /CE=V <sub>IL</sub> , V <sub>IN</sub> =V <sub>IH</sub> or V <sub>IL</sub> , I <sub>OUT</sub> =0mA	I <sub>CC</sub>	640	620	600	mA
Power Supply Current:Standby	Min. Cycle, /CE=V <sub>IH</sub>	I <sub>SB</sub>	200	200	200	mA
	f=0MHZ, /CE≥V <sub>CC</sub> -0.2V, V <sub>IN</sub> ≥ V <sub>CC</sub> -0.2V or V <sub>IN</sub> ≤0.2V	I <sub>SB1</sub>	20	20	20	mA

**CAPACITANCE** ( $T_A = 25\text{ }^\circ\text{C}$  ,  $f = 1.0\text{MHz}$ )

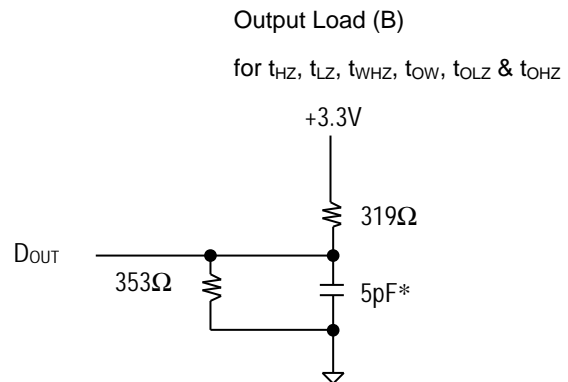
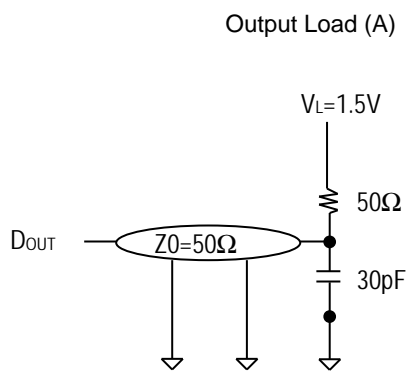
DESCRIPTION	TEST CONDITIONS	SYMBOL	MAX	UNIT
Input /Output Capacitance	$V_{I/O}=0\text{V}$	$C_{I/O}$	32	PF
Input Capacitance	$V_{IN}=0\text{V}$	$C_{IN}$	24	PF

\* NOTE : Capacitance is sampled and not 100% tested

**AC CHARACTERISTICS** ( $0^\circ\text{C} \leq T_A \leq 70\text{ }^\circ\text{C}$  ;  $V_{CC} = 3.3\text{V} \pm 0.3\text{V}$ , unless otherwise specified)

**Test conditions**

PARAMETER	VALUE
Input Pulse Level	0V to 3V
Input Rise and Fall Time	3ns
Input and Output Timing Reference Levels	1.5V
Output Load	See below



**READ CYCLE**

PARAMETER	SYMBOL	-10		-12		-15		UNIT
		MIN	MAX	MIN	MAX	MIN	MAX	
Read Cycle Time	$t_{RC}$	10		12		15		ns
Address Access Time	$t_{AA}$		10		12		15	ns
Chip Select to Output	$t_{CO}$		10		12		15	ns
Output Enable to Output	$t_{OE}$		5		6		7	ns
Output Enable to Low-Z Output	$t_{OLZ}$	0		0		0		ns
Chip Enable to Low-Z Output	$t_{LZ}$	3		3		3		ns
Output Disable to High-Z Output	$t_{OHZ}$	0	5	0	6	0	7	ns
Chip Disable to High-Z Output	$t_{HZ}$	0	5	0	6	0	7	ns
Output Hold from Address Change	$t_{OH}$	3		3		3		ns
Chip Select to Power Up Time	$t_{PU}$	0		0		0		ns
Chip Select to Power Down Time	$t_{PD}$	-	10		12		15	ns

**WRITE CYCLE**

PARAMETER	SYMBOL	-10		-12		-15		UNIT
		MIN	MAX	MIN	MAX	MIN	MAX	
Write Cycle Time	$t_{WC}$	10		12		15		ns
Chip Select to End of Write	$t_{CW}$	6		8		10		ns
Address Set-up Time	$t_{AS}$	0		0		0		ns
Address Valid to End of Write	$t_{AW}$	7		8		9		ns
Write Pulse Width	$t_{WP}$	7		8		9		ns
Write Recovery Time	$t_{WR}$	0		0		0		ns
Write to Output High-Z	$t_{WHZ}$	0	5	0	6	0	7	ns
Data to Write Time Overlap	$t_{DW}$	5		6		7		ns
Data Hold from Write Time	$t_{DH}$	0		0		0		ns
End of Write to Output Low-Z	$t_{OW}$	3		3		3		ns

**TIMING DIAGRAMS**

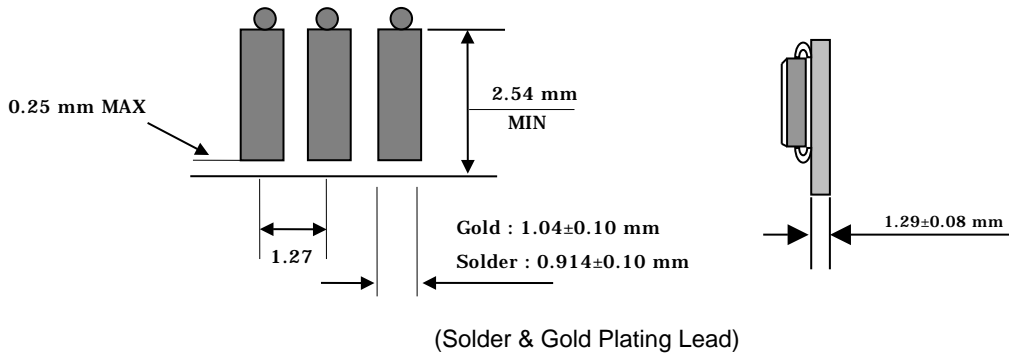
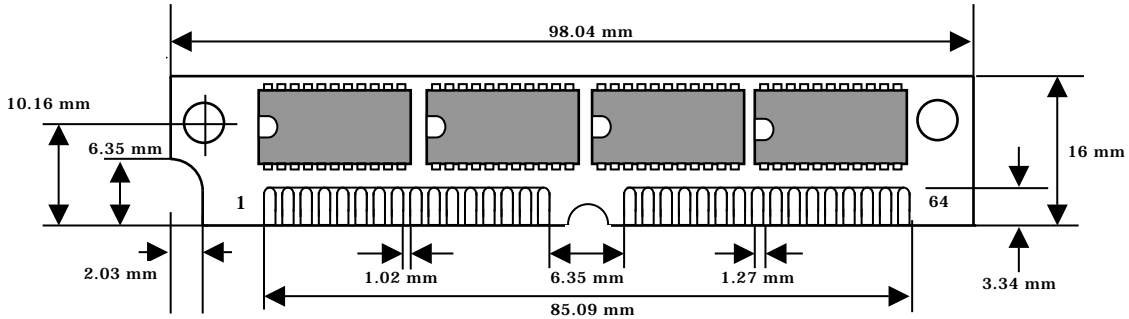
Please refer to timing diagram chart.

**FUNCTIONAL DESCRIPTION**

/CE	/WE	/OE	MODE	I/O PIN	SUPPLY CURRENT
H	X*	X	Not Select	High-Z	$I_{SB}, I_{SB1}$
L	H	H	Output Disable	High-Z	$I_{CC}$
L	H	L	Read	$D_{OUT}$	$I_{CC}$
L	L	X	Write	$D_{IN}$	$I_{CC}$

Note: X means Don't Care

PACKAGING INFORMATION



ORDERING INFORMATION

Part Number	Density	Org.	Package	Component Number	Vcc	Access Time
HMS12832M4V-8	512KByte	128KX 32bit	64 Pin-SIMM	4EA	3.3V	8ns
HMS12832M4V-10	512KByte	128KX 32bit	64 Pin-SIMM	4EA	3.3V	10ns
HMS12832M4V-12	512KByte	128KX 32bit	64 Pin-SIMM	4EA	3.3V	12ns
HMS12832M4V-15	512KByte	128KX 32bit	64 Pin-SIMM	4EA	3.3V	15ns
HMS12832M4V-20	512KByte	128KX 32bit	64 Pin-SIMM	4EA	3.3V	20ns