	<p>SRAM MODULE 512KByte (128K x 32-Bit) Part No. HMS12832M4</p>
---	--

GENERAL DESCRIPTION

The HMS12832M4 is a high-speed static random access memory (SRAM) module containing 131,072 words organized in a x32-bit configuration. The module consists of four 128K x 8 SRAMs mounted on a 64-pin, single-sided, FR4-printed circuit board.

PD0 and PD1 identify the module’s density allowing interchangeable use of alternate density, industry- standard modules. Four chip enable inputs, (/CE1, /CE2, /CE3 and /CE4) are used to enable the module’s 4 bytes independently. Output enable(/OE) and write enable(/WE) can set the memory input and output.

Data is written into the SRAM memory when write enable (/WE) and chip enable (/CE) inputs are both LOW.

Reading is accomplished when /WE remains HIGH and /CE and output enable (/OE) are LOW.

For reliability, this SRAM module is designed as multiple power and ground pin. All module components may be powered from a single +5V DC power supply and all inputs and outputs are fully TTL-compatible.

FEATURES

- ◆ Access times : 12, 15 and 20ns
- ◆ High-density 512KByte design
- ◆ High-reliability, high-speed design
- ◆ Single + 5V ±0.5V power supply
- ◆ Easy memory expansion with /CE and /OE functions
- ◆ All inputs and outputs are TTL-compatible
- ◆ Industry-standard pinout
- ◆ FR4-PCB design

OPTIONS

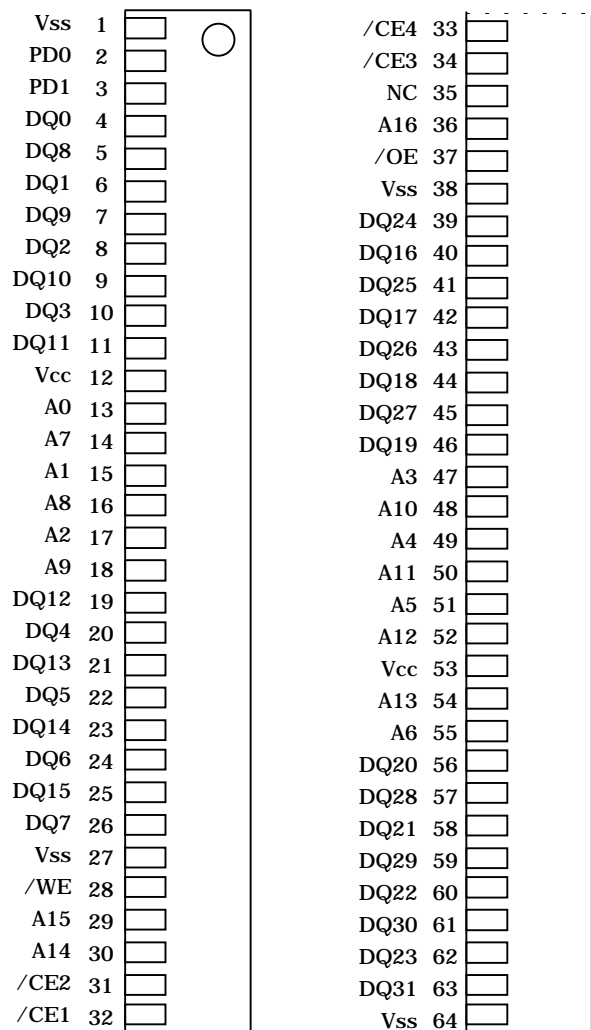
MARKING

- ◆ Timing

8ns access	- 8
10ns access	-10
12ns access	-12
15ns access	-15
20ns access	-20
- ◆ Packages

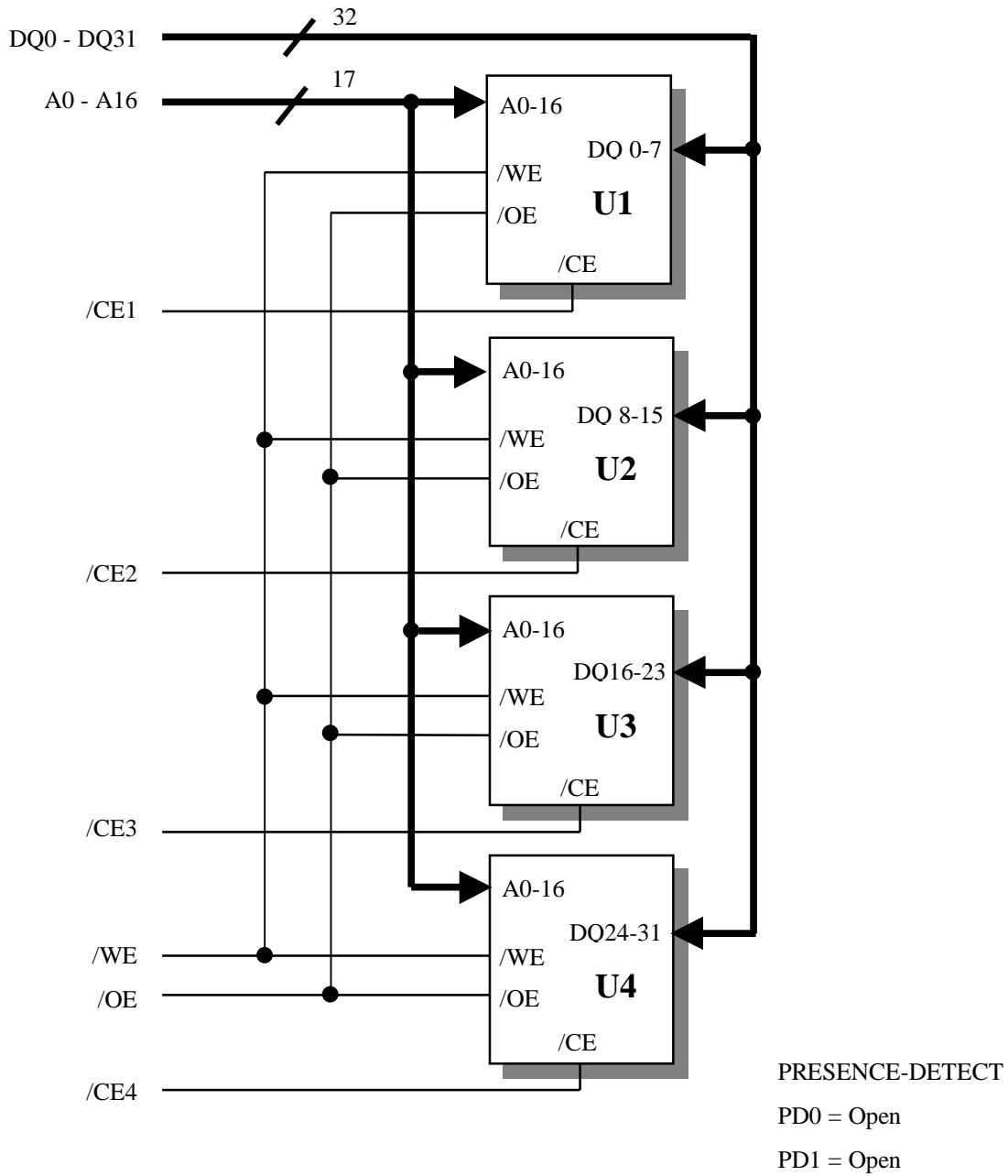
64-pin SIMM	M
-------------	---

PIN ASSIGNMENT



SIMM TOP VIEW PD0 = Open
 PD1 = Open

FUNCTIONAL BLOCK DIAGRAM



TRUTH TABLE

MODE	/OE	/CE	/WE	DQ	POWER
STANDBY	X	H	X	HIGH-Z	STANDBY
NOT SELECTED	H	L	H	HIGH-Z	ACTIVE
READ	L	L	H	Dout	ACTIVE
WRITE	X	L	L	Din	ACTIVE

ABSOLUTE MAXIMUM RATINGS*

PARAMETER	SYMBOL	RATING
Voltage on Any Pin Relative to V _{SS}	V _{IN,OUT}	-0.5V to V _{CC} +0.5V
Voltage on V _{CC} Supply Relative to V _{SS}	V _{CC}	-0.5V to +7.0V
Power Dissipation	P _D	4.0W
Storage Temperature	T _{STG}	-65°C to +150°C
Operating Temperature	T _A	0°C to +70°C

- ♦ Stresses greater than those listed under " Absolute Maximum Ratings" may cause permanent damage to the device. This is a stress rating only and functional operation of the device at these or any other conditions above those indicated in the operating section of this specification is not implied. Exposure to absolute maximum rating conditions for extended periods may affect reliability.

RECOMMENDED DC OPERATING CONDITIONS (T_A=0 to 70 °C)

PARAMETER	SYMBOL	MIN	TYP.	MAX
Supply Voltage	V _{CC}	4.5V	5.0V	5.5V
Ground	V _{SS}	0	0	0
Input High Voltage	V _{IH}	2.2	-	V _{CC} +0.5V**
Input Low Voltage	V _{IL}	-0.5*	-	0.8V

* V_{IL}(Min.) = -2.0V ac (Pulse Width ≤ 10ns) for I ≤ 20 mA

** V_{IH}(Min.) = V_{CC}+2.0V ac (Pulse Width ≤ 10ns) for I ≤ 20 mA

DC AND OPERATING CHARACTERISTICS (1)(0°C ≤ T_A ≤ 70 °C ; V_{CC} = 5V ± 10%)

PARAMETER	TEST CONDITIONS	SYMBOL	MIN	MAX	UNITS
Input Leakage Current	V _{IN} =V _{SS} to V _{CC}	I _{L1}	-2	2	μA
Output Leakage Current	/CE=V _{IH} or /OE =V _{IH} or /WE=V _{IL} V _{OUT} =V _{SS} to V _{CC}	I _{L0}	-2	2	μA
Output High Voltage	I _{OH} = -4.0mA	V _{OH}	2.4		V
Output Low Voltage	I _{OL} = 8.0mA	V _{OL}		0.4	V

* V_{CC}=5.0V, Temp=25 °C

DC AND OPERATING CHARACTERISTICS (2)

DESCRIPTION	TEST CONDITIONS	SYMBOL	MAX			UNIT
			-12	-15	-20	
Power Supply Current:Operating	Min. Cycle, 100% Duty /CE=V _{IL} , V _{IN} =V _{IH} or V _{IL} , I _{OUT} =0mA	I _{CC}	75	73	70	mA
Power Supply Current:Standby	Min. Cycle, /CE=V _{IH}	I _{SB}	30	30	30	mA
	f=0MHZ, /CE≥V _{CC} -0.2V, V _{IN} ≥ V _{CC} -0.2V or V _{IN} ≤0.2V	I _{SB1}	5	5	5	mA

CAPACITANCE (T_A =25 °C , f= 1.0Mhz)

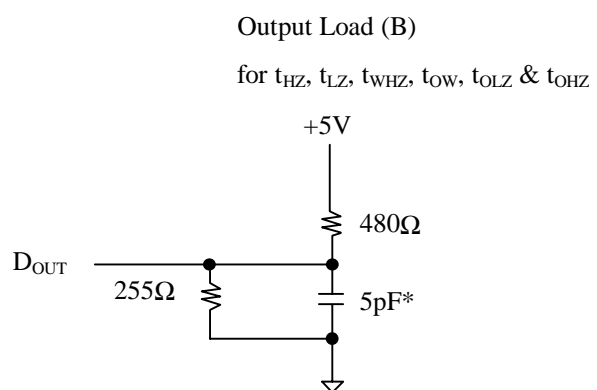
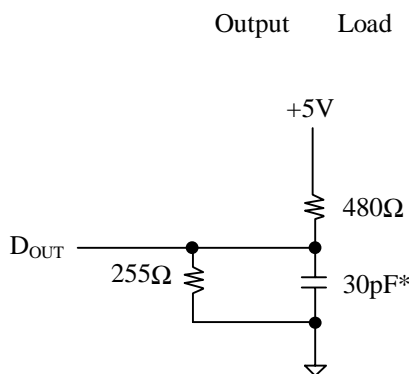
DESCRIPTION	TEST CONDITIONS	SYMBOL	MAX	UNIT
Input /Output Capacitance	V _{IO} =0V	C _{IO}	8	pF
Input Capacitance	V _{IN} =0V	C _{IN}	8	pF

* NOTE : Capacitance is sampled and not 100% tested

AC CHARACTERISTICS (0°C ≤ T_A ≤ 70 °C ; V_{CC} = 5V ± 0.5V, unless otherwise specified)

Test conditions

PARAMETER	VALUE
Input Pulse Level	0V to 3V
Input Rise and Fall Time	3ns
Input and Output Timing Reference Levels	1.5V
Output Load	See below



READ CYCLE

PARAMETER	SYMBOL	-12		-15		-20		UNIT
		MIN	MAX	MIN	MAX	MIN	MAX	
Read Cycle Time	t _{RC}	12		15		20		ns
Address Access Time	t _{AA}		12		15		20	ns

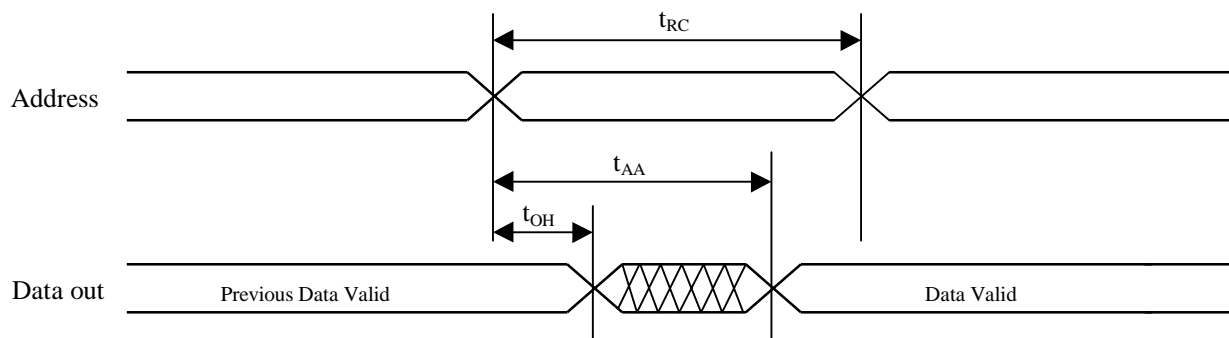
Chip Select to Output	t_{CO}		12		15		20	ns
Output Enable to Output	t_{OE}		6		7		9	ns
Output Enable to Low-Z Output	t_{OLZ}	0		0		0		ns
Chip Enable to Low-Z Output	t_{LZ}	3		3		3		ns
Output Disable to High-Z Output	t_{OHZ}	0	6	0	7	0	9	ns
Chip Disable to High-Z Output	t_{HZ}	0	6	0	7	0	9	ns
Output Hold from Address Change	t_{OH}	3		3		3		ns
Chip Select to Power Up Time	t_{PU}	0		0		0		ns
Chip Select to Power Down Time	t_{PD}	-	12		15		20	ns

WRITE CYCLE

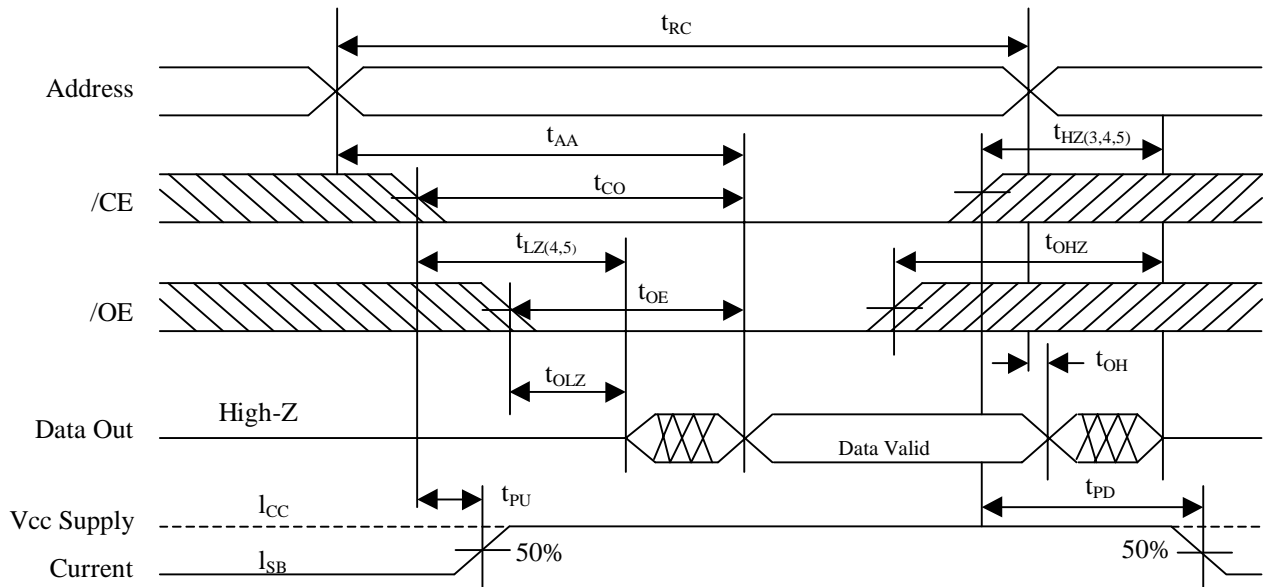
PARAMETER	SYMBOL	-12		-15		-20		UNIT
		MIN	MAX	MIN	MAX	MIN	MAX	
Write Cycle Time	t_{WC}	12		15		20		ns
Chip Select to End of Write	t_{CW}	8		10		12		ns
Address Set-up Time	t_{AS}	0		0		0		ns
Address Valid to End of Write	t_{AW}	8		9		10		ns
Write Pulse Width	t_{WP}	8		9		10		ns
Write Recovery Time	t_{WR}	0		0		0		ns
Write to Output High-Z	t_{WHZ}	0	6	0	7	0	9	ns
Data to Write Time Overlap	t_{DW}	6		7		8		ns
Data Hold from Write Time	t_{DH}	0		0		0		ns
End of Write to Output Low-Z	t_{OW}	3		3		3		ns

TIMING DIAGRAMS

TIMING WAVEFORM OF READ CYCLE(Address Controlled) (/CE =/ OE = V_{IL} , /WE = V_{IH})



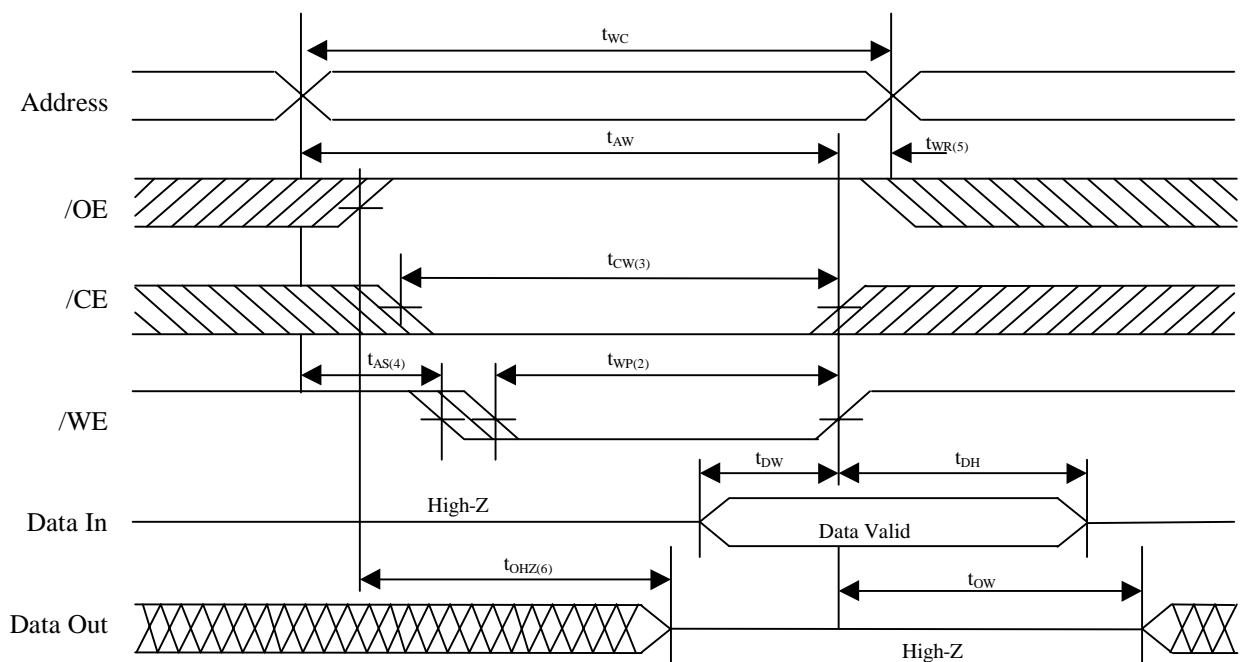
TIMING WAVEFORM OF READ CYCLE (/CE Controlled)

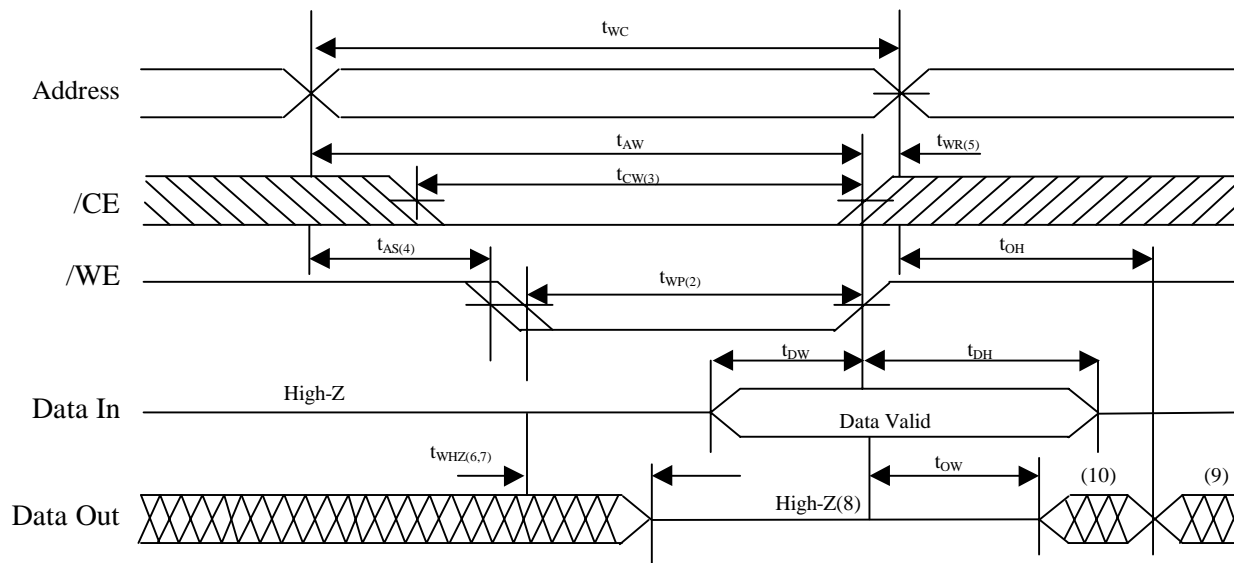


Notes (Read Cycle)

1. /WE is high for read cycle.
2. All read cycle timing is referenced from the last valid address to first transition address.
3. t_{HZ} and t_{OHZ} are defined as the time at which the outputs achieve the open circuit condition and are not referenced to V_{OH} or V_{OL} levels.
4. At any given temperature and voltage condition, t_{HZ} (max.) is less than t_{LZ} (min.) both for a given device and from device to device.
5. Transition is measured $\pm 200mV$ from steady state voltage with Load (B). This parameter is sampled and not 100% tested.
6. Device is continuously selected with $/CE = V_{IL}$.
7. Address valid prior to coincident with $/CE$ transition low.

TIMING WAVEFORM OF WRITE CYCLE (/OE=Clock)



TIMING WAVEFORM OF WRITE CYCLE (/OE Low Fixed)**Notes(Write Cycle)**

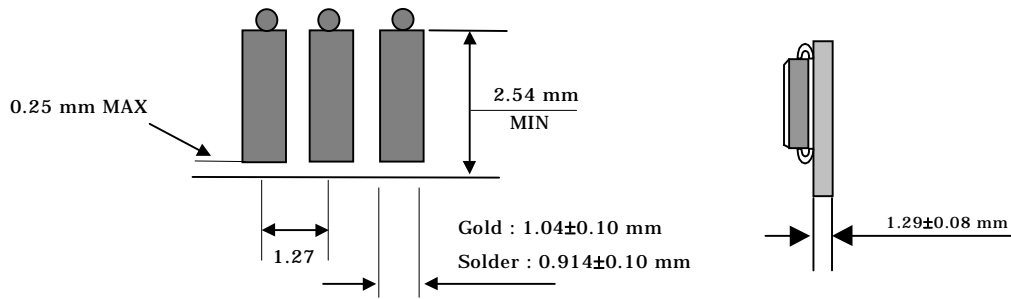
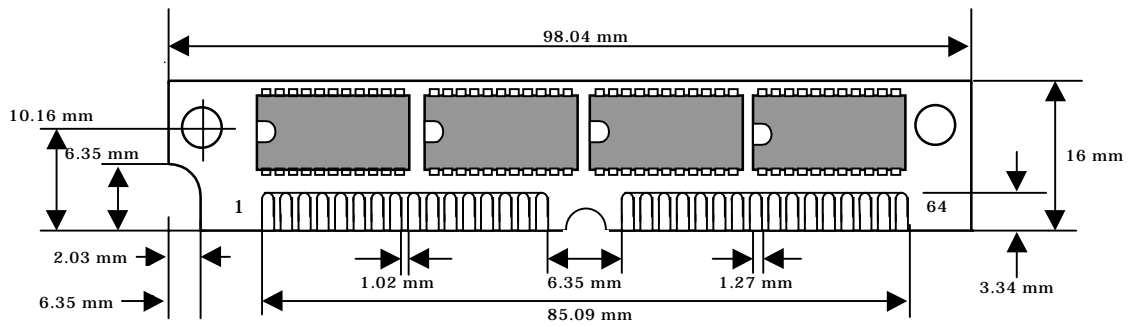
1. All write cycle timing is referenced from the last valid address to the first transition address.
2. A write occurs during the overlap of a low /CE and a low /WE. A write begins at the latest transition among /CE going low and /WE going low: A write ends at the earliest transition among /CE going high and /WE going high. t_{WP} is measured from the beginning of write to the end of write.
3. t_{CW} is measured from the later of /CE going low to the end of write.
4. t_{AS} is measured from the address valid to the beginning of write.
5. t_{WR} is measured from the end of write to the address change. t_{WR} applied in case a write ends as /CE, or /WE going high.
6. If /OE,/CE and /WE are in the read mode during this period, the I/O pins are in the output low-Z state. Inputs of opposite phase of the output must not be applied because bus contention can occur.
7. For common I/O applications, minimization or elimination of bus contention conditions is necessary during read and write cycle.
8. If /CE goes low simultaneously with /WE going low or after /WE going low, the outputs remain high impedance state.
9. D_{OUT} is the read data of the new address.
10. When /CE is low : I/O pins are in the output state. The input signals in the opposite phase leading to the output should not be applied.

FUNCTIONAL DESCRIPTION

/CE	/WE	/OE	MODE	I/O PIN	SUPPLY CURRENT
H	X*	X	Not Select	High-Z	I_{SB}, I_{SB1}
L	H	H	Output Disable	High-Z	I_{CC}
L	H	L	Read	D_{OUT}	I_{CC}
L	L	X	Write	D_{IN}	I_{CC}

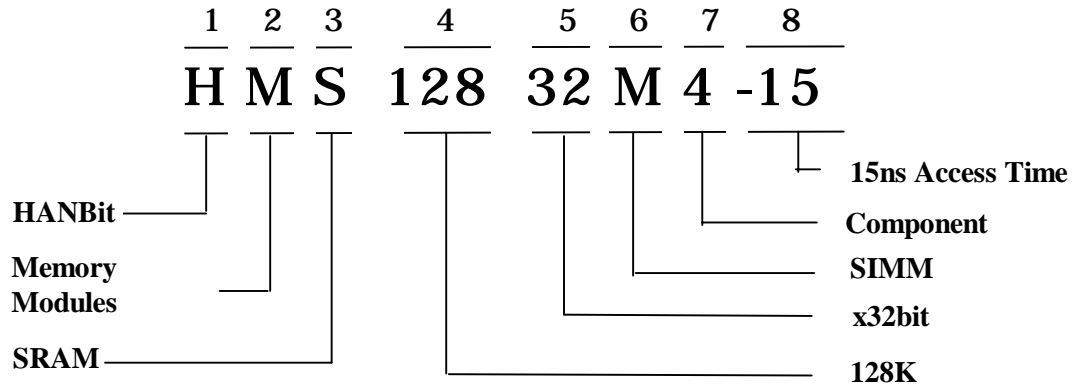
Note: X means Don't Care

PACKAGING INFORMATION



(Solder & Gold Plating Lead)

ORDERING INFORMATION



1. - Product Line Identifier

HANBit ----- H

2. - Memory Modules

3. - SRAM

4. - Depth : 128K

5. - Width : x 32bit

6. - Package Code

SIMM ----- M

7. - Number of Memory Components

8. - Access time

10 ----- 10ns

12 ----- 12ns

15 ----- 15ns

17 ----- 17ns

20 ----- 20ns