

EM6603 - 4 bit Microcontroller

Features

- Low Power - typical 1.8 μ A active mode
- typical 0.35 μ A standby mode
- typical 0.1 μ A sleep mode
@ 1.5V, 32kHz, 25 °C
- Low Voltage - 1.2 to 3.6 V
- buzzer - three tone
- ROM - 2k \times 16 (Mask Programmed)
- RAM - 96 \times 4 (User Read/Write)
- 2 clocks per instruction cycle
- RISC architecture
- 4 software configurable 4-bit ports
- Up to 16 inputs (4 ports)
- Up to 12 outputs (3 ports)
- Serial (Output) Write buffer - SWB
- Voltage level detection
- Analogue watchdog
- Timer watchdog
- 8 bit timer / event counter
- Internal interrupt sources (timer, event counter, prescaler, SWB)
- External interrupt sources (portA + portC)

Description

The EM66XX series is an advanced single chip low cost, mask programmed CMOS 4-bit microcontroller. It contains ROM, RAM, watchdog timer, oscillation detection circuit, combined timer / event counter, prescaler, voltage level detector and a number of clock functions. Its low voltage and low power operation make it the most suitable controller for battery, stand alone and mobile equipment. The EM66XX series is manufactured using EM's Advanced Low Power CMOS Process.

Typical Applications

- sensor interfaces
- domestic appliances
- security systems
- bicycle computers
- automotive controls
- TV & audio remote controls
- measurement equipment
- R/F and IR. control

Figure 1. Architecture

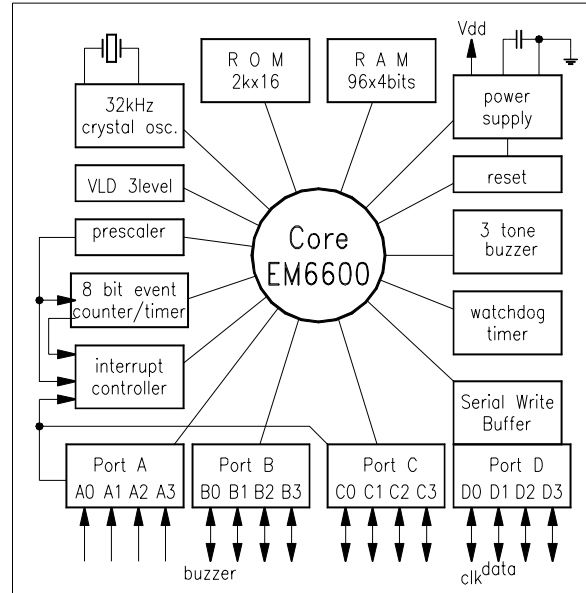
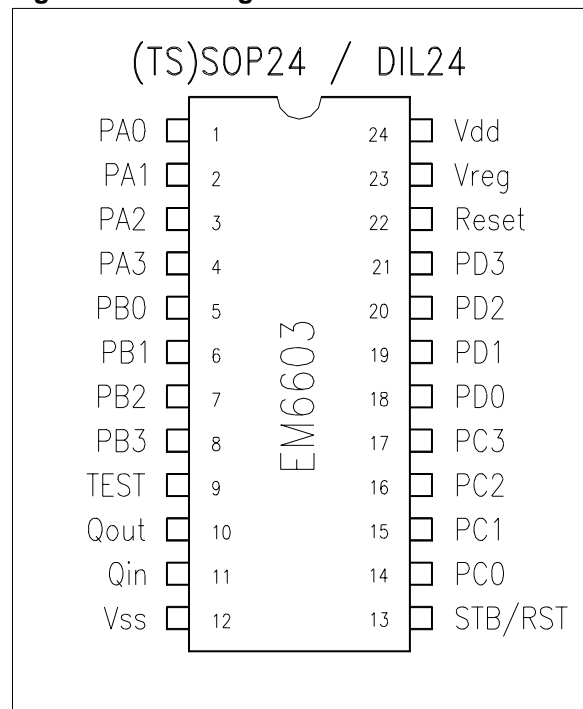


Figure 2. Pin Configuration





EM6603 at a glance

• Power Supply

- Low Voltage, low power architecture including internal voltage regulator
- 1.2V ... 3.6 V battery voltage
- 1.8µA in active mode
- 0.35µA in standby mode
- 0.1µA in sleep mode
- @ 1.5V, 32kHz, 25 °C
- 32 kHz Oscillator

• RAM

- 96 x 4 bit, direct addressable

• ROM

- 2048 x 16 bit metal mask programmable

• CPU

- 4 bit RISC architecture
- 2 clock cycles per instruction
- 72 basic instructions

• Main Operating Modes and Resets

- Active mode (CPU is running)
- Standby mode (CPU in Halt)
- Sleep mode (No clock, Reset State)
- Initial reset on Power-On (POR)
- External reset pin
- Watchdog timer (time-out) reset
- Oscillation detection watchdog reset
- Reset with input combination on PortA (metal option)

• 4-Bit Input PortA

- Direct input read
- Debounced or direct input selectable (reg.)
- Interrupt request on input's rising or falling edge, selectable by register.
- Pull-down or none, selectable by metal mask
- Software test variables for conditional jumps
- PA3 input for the event counter
- Reset with input combination on PortA (metal option)

• 4-Bit Input/Output PortB

- separate input or output selection by register
- Pull-up, Pull-down or none, selectable by metal mask if used as Input
- Buzzer output on PB0

• 4-Bit Input/Output PortC

- Input or Output port as a whole port
- Debounced or direct input selectable (reg.)
- Interrupt request on input's rising or falling edge, selectable by register.
- Pull-up, pull-down or none, selectable by metal mask if used as input
- CMOS or N-channel open drain mode

• 4-Bit Input/Output PortD

- Input or Output port as a whole port
- Pull-up, Pull-down or none, selectable by metal mask if used as Input
- CMOS or N-channel open drain mode
- Serial Write Buffer clock and data output

• Serial (output) Write Buffer

- max. 256 bits long clocked with 16/8/2/1kHz
- automatic send mode
- interactive send mode : interrupt request when buffer is empty

• Buzzer Output

- if used output on PB0
- 3 tone buzzer - 1kHz, 2kHz, 2.66kHz

• Prescaler

- 32kHz output possible on the STB/RST pin
- 15 stage system clock divider down to 1 Hz
- 3 interrupt requests : 1Hz/8Hz/32Hz
- Prescaler reset (from 8kHz to 1Hz)

• 8-bit Timer / Event Counter

- 8-bit auto-reload count-down timer
- 6 different clocks from prescaler
- or event counter from the PA3 input
- parallel load
- interrupt request when comes to 00 hex.

• Supply Voltage Level Detector

- 3 software selectable levels (1.3V, 2.0V, 2.3V or user defined between 1.3V and 3.0V)
- Busy flag during measure
- Active only on request during measurement to reduce power consumption

• Interrupt Controller

- 8 external interrupt sources: 4 from Port A and 4 from Port C
- 3 internal interrupt sources, prescaler, timer and Serial Write Buffer
- each interrupt request is individually maskable
- interrupt request flag is cleared automatically on register read



Table of Contents

1	OPERATING MODES	5
1.1	STANDBY MODE	5
1.2	SLEEP MODE	5
2	POWER SUPPLY	5
3	RESET	6
3.1	OSCILLATION DETECTION CIRCUIT	6
3.2	RESET PIN	6
3.3	INPUT PORT (PA0..PA3) RESET	7
3.4	WATCHDOG TIMER RESET	7
3.5	CPU STATE AFTER RESET	7
4	OSCILLATOR	8
4.1	PRESCALER	8
5	WATCHDOG TIMER	8
6	INPUT AND OUTPUT PORTS	9
6.1	PORTA	9
6.2	PORTA REGISTERS	10
6.3	PORTB	11
6.4	PORTB REGISTERS	11
6.5	PORTC	12
6.6	PORTC REGISTERS	12
6.7	PORTD	14
6.8	PORTD REGISTERS	14
7	BUZZER	15
7.1	BUZZER REGISTER	15
8	TIMER/EVENT COUNTER	16
8.1	TIMER/COUNTER REGISTERS	17
9	INTERRUPT CONTROLLER	18
9.1	INTERRUPT CONTROL REGISTERS	18
10	SUPPLY VOLTAGE LEVEL DETECTOR (SVLD)	20
10.1	SVLD REGISTER	20
11	SERIAL (OUTPUT) WRITE BUFFER – SWB	21
11.1	SWB AUTOMATIC SEND MODE	23
11.2	SWB INTERACTIVE SEND MODE	25
12	STROBE / RESET OUTPUT	26
13	TEST AT EM - ACTIVE SUPPLY CURREN TEST	26
14	METAL MASK OPTIONS	27
15	PERIPHERAL MEMORY MAP	28
16	ELECTRICAL SPECIFICATIONS	30
16.1	ABSOLUTE MAXIMUM RATINGS	30
16.2	STANDARD OPERATING CONDITIONS	30
16.3	HANDLING PROCEDURES	30
16.4	DC CHARACTERISTICS - POWER SUPPLY PINS	30
16.5	DC CHARACTERISTICS - INPUT/OUTPUT PINS	31
16.6	DC CHARACTERISTICS - SUPPLY VOLTAGE DETECTOR LEVELS	32
16.7	OSCILLATOR	33
16.8	INPUT TIMING CHARACTERISTICS	33
17	PAD LOCATION DIAGRAM	34
18	PACKAGE AND ORDERING INFORMATION	34
18.1	CHIP MARKING :	36
18.2	CUSTOMER MARKING :	36
18.3	ORDERING INFORMATION :	36
18.3.1	Ordering information for packaged device	36
18.3.2	Ordering information for DIE form	36
19	SPECIFICATION CHANGE	37

Table of Figures

Figure 1.	Architecture	1
Figure 2.	Pin Configuration	1
Figure 3.	Typical Configuration	4
Figure 4.	Mode Transition diagram	5
Figure 5.	System reset generation	6
Figure 6.	Port A	10
Figure 7.	Port B	11
Figure 8.	Port C	13
Figure 9.	Port D	14
Figure 10.	Timer / Event Counter	16
Figure 11.	Interrupt Request generation	19
Figure 12.	Serial write buffer	22
Figure 13.	Automatic Serial Write Buffer transmission	23
Figure 14.	Interactive Serial Write Buffer transmission	25
Figure 15.	EM6603 PAD Location Diagram	34
Figure 16.	Dimensions of PDIP24 Pack. - Pack. type "A"	34
Figure 17.	Dimensions of TSSOP24 Pack. - Pack. type "F"	35
Figure 18.	Dimensions of SOP24 Pack. SOIC – Pack. type "B"	35

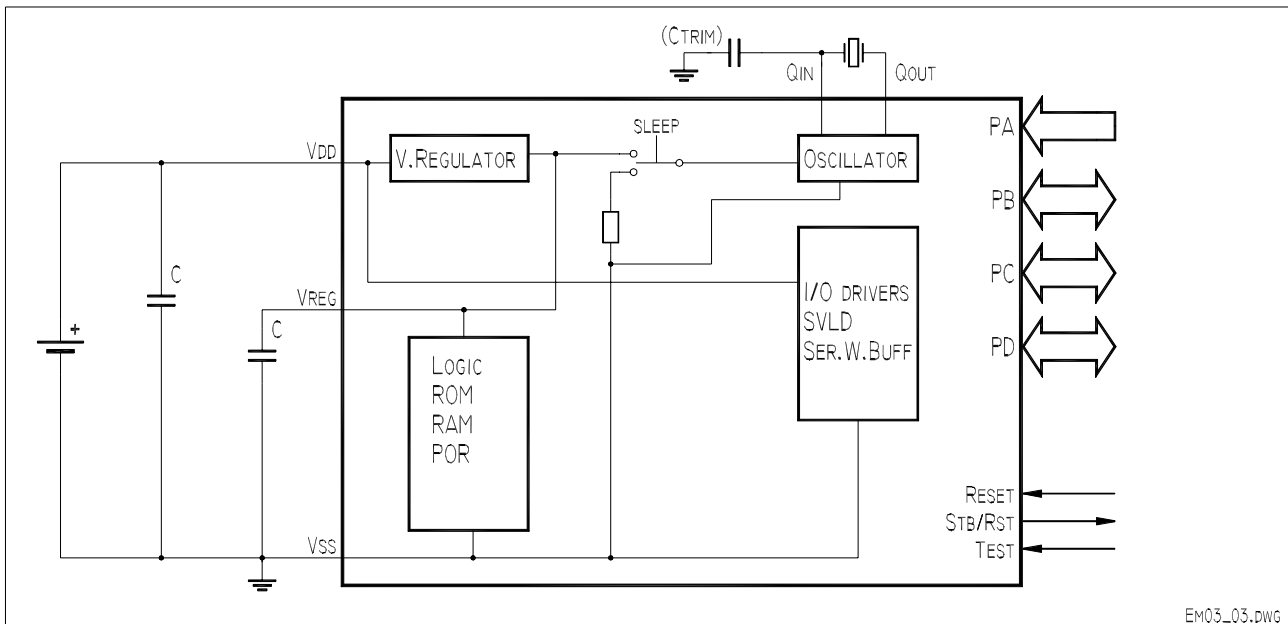
Table of Tables

Table 1.	Pin Description	4
Table 2.	StandBy and Sleep Activities	5
Table 3.	PortA Inputs RESET options (metal Hardware option)	7
Table 4.	Watchdog-Timer Option (software option)	7
Table 5.	Initial Value After RESET	7
Table 6.	Prescaler interrupt source	8
Table 7.	Prescaler control register - <u>PRESC</u>	8
Table 8.	Watchdog register - <u>WD</u>	8
Table 9.	Input / Output Ports Overview	9
Table 10.	Option register - <u>Option</u>	9
Table 11.	PortA input status register - <u>PortA</u>	10
Table 12.	PortA Interrupt request register - <u>IRQpA</u>	10
Table 13.	PortA interrupt mask register - <u>MportA</u>	10
Table 14.	PortB input status register - <u>PortB</u>	11
Table 15.	PortB Input/Output control register - <u>CIoportB</u>	11
Table 16.	Ports A&C Interrupt Request	12
Table 17.	PortC input/output register - <u>PortC</u>	12
Table 18.	PortC Interrupt request register - <u>IRQpC</u>	12
Table 19.	PortC interrupt mask register - <u>MportC</u>	12
Table 20.	PortD Input/Output register - <u>PortD</u>	14
Table 21.	Ports control register - <u>CPIOB</u>	14
Table 22.	Buzzer frequency selection	15
Table 23.	Buzzer control register - <u>BEEP</u>	15
Table 24.	Timer Clock Selection	17
Table 25.	Timer control register - <u>TimCtr</u>	17
Table 26.	LOW Timer Load/Status register - <u>LTimLS</u> (4 low bits)	17
Table 27.	HIGH Timer Load/Status register - <u>HTimLS</u> (4 high bits)	17
Table 28.	PA3 counter input selection register - <u>PA3cnt</u>	17
Table 29.	PA3 counter input selection	17
Table 30.	Main Interrupt request register - <u>IntRq</u> (Read Only)*	18
Table 31.	register - <u>CIRQD</u>	19
Table 32.	SVLD level selection	20
Table 33.	SVLD control register - <u>SVLD</u>	20
Table 34.	SWB clock selection	21
Table 35.	SWB clock selection register - <u>ClkSWB</u>	21
Table 36.	PortD status	21
Table 37.	SWB buffer register - <u>SWbuff</u>	22
Table 38.	SWB Low size register - <u>LowSWB</u>	22
Table 39.	SWB High size register - <u>HighSWB</u>	22
Table 40.	Input/Output Ports	27
Table 41.	PortA RESET option	27
Table 42.	SVLD levels	27

Table 1. Pin Description

Pin Number	Pin Name	Function	Remarks
1	port A, 0	input 0 port A	interrupt request; tvar 1
2	port A, 1	input 1 port A	interrupt request; tvar 2
3	port A, 2	input 2 port A	interrupt request; tvar 3
4	port A, 3	input 3 port A	interrupt request; event counter input
5	port B, 0	input / output 0 port B	buzzer output
6	port B, 1	input / output 1 port B	
7	port B, 2	input / output 2 port B	
8	port B, 3	input / output 3 port B	
9	test	test input terminal	for EM test purpose only (internal pull-down)
10	Qout/osc 1	crystal terminal 1	
11	Qin/osc 2	crystal terminal 2 (input)	Can accept trimming capacitor tw. Vss
12	Vss	negative power supply terminal	
13	STB/RST	strobe / reset status	μ C reset state + port B, C, D write
14	port C, 0	input / output 0 port C	interrupt request
15	port C, 1	input / output 1 port C	interrupt request
16	port C, 2	input / output 2 port C	interrupt request
17	port C, 3	input / output 3 port C	interrupt request
18	port D, 0	input / output 0 port D	SWB Serial Clock Output
19	port D, 1	input / output 1 port D	SWB Serial Data Output
20	port D, 2	input / output 2 port D	
21	port D, 3	input / output 3 port D	
22	reset	reset terminal	Active high (internal pull-down)
23	Vreg	internal voltage regulator	Needs typ. 100nF capacitor tw. Vss
24	Vdd	positive power supply terminal	

Figure 3. Typical Configuration



For Vdd less than 1.4V it is recommended that Vdd is connected directly to Vreg

For Vdd > 1.8V then the configuration shown in Fig.3 should be used.

1 Operating modes

The EM6603 has two low power dissipation modes: STANDBY and SLEEP. Figure 4 is a transition diagram for these modes.

1.1 STANDBY Mode

Executing a HALT instruction puts the EM6603 into STANDBY mode. The voltage regulator, oscillator, Watchdog timer, interrupts and timer/event counter are operating. However, the CPU stops since the clock related to instruction execution stops. Registers, RAM, and I/O pins retain their states prior to STANDBY mode. STANDBY is cancelled by a RESET or an Interrupt request if enabled.

1.2 SLEEP MODE

Writing to the **SLEEP*** bit in the **IntRq*** register puts the EM6603 in SLEEP mode. The oscillator stops and most functions of the EM6603 are inactive. To be able to write the **SLEEP** bit, the **SLmask** bit must first be set to 1. In SLEEP mode only the voltage regulator and RESET input are active. The RAM data integrity is maintained. SLEEP mode may be cancelled only by a RESET at the terminal pin of the EM6603. The RESET must be high for at least 2µsec.

Due to the cold start characteristics of the oscillator, waking up from SLEEP mode may take some time to guarantee that the oscillator has started correctly. During this time the circuit is in RESET and the strobe output STB/RST is high. Waking up from SLEEP mode clears the **SLEEP** flag but not the **SLmask** bit. By reading **SLmask** one can therefore determine if the EM6603 was powered up (**SLmask** = 0), or woken from SLEEP mode (**SLmask** = 1).

2 Power Supply

The EM6603 is supplied by a single external power supply between Vdd and Vss, the circuit reference being at Vss (ground). A built-in voltage regulator generates Vreg providing regulated voltage for the oscillator and internal logic. Output drivers are supplied directly from the external supply Vdd. A typical connection configuration is shown in Figure 3.

For Vdd less than 1.4V it is recommended that Vdd is connected directly to Vreg

For Vdd > 1.8V then the configuration shown in Fig.3 should be used.

Figure 4. Mode Transition diagram

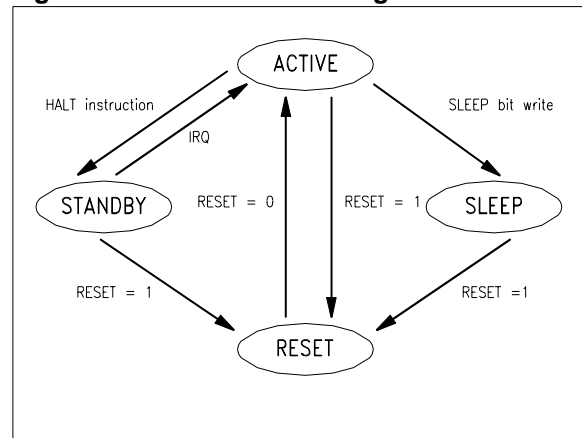


Table 2 : shows the state of the EM6603 functions in STANDBY and SLEEP modes.

Table 2. StandBy and Sleep Activities

FUNCTION	STANDBY	SLEEP
Oscillator	Active	Stopped
Instruction Execution	Stopped	Stopped
Registers and Flags	Retained	Reset
Interrupt Functions	Active	Stopped
RAM	Retained	Retained
Timer/Counter	Active	Stopped
Watchdog	Active	Stopped
I/O pins	Active	High-Z or Retained
Supply VLD	Stopped	Stopped
Reset pin	Active	Active

*registers are marked in bold and underlined like **IntRq**

*Bits/Flags in registers are marked in bold only like **SLEEP**

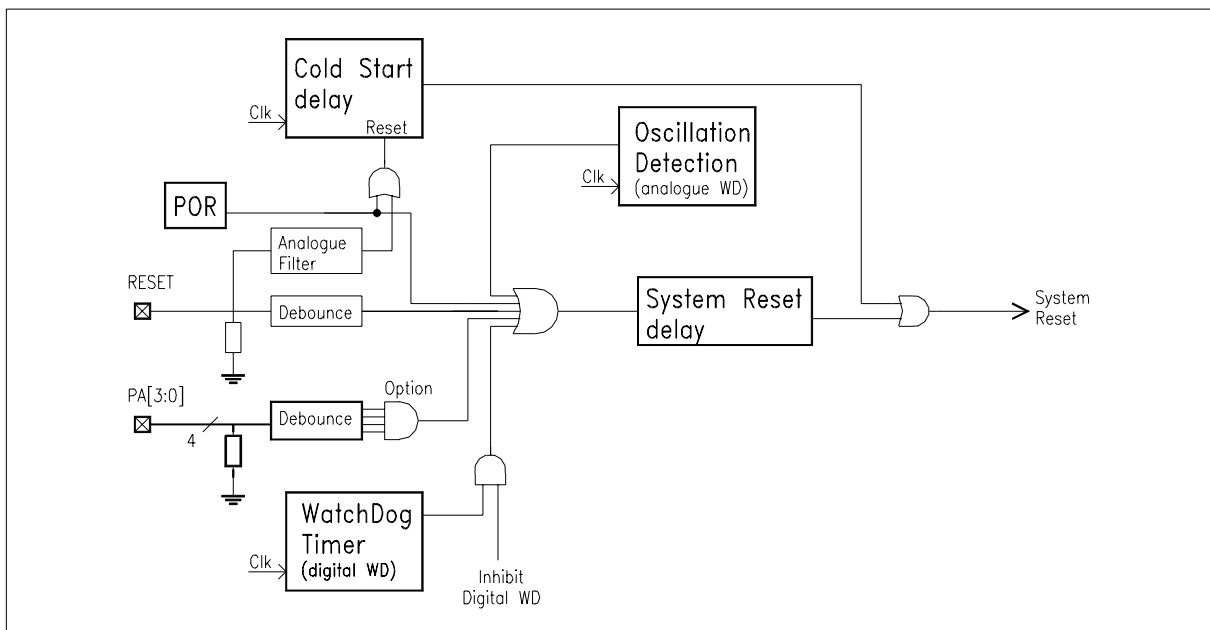
3 Reset

To initialize the EM6603, a system RESET must be executed. There are four methods of doing this:

- (1) Initial RESET from the oscillation detection circuit.
- (2) External RESET from the RESET PIN.
- (3) External RESET by simultaneous high input to terminals PA0..PA3.
(Combinations defined by metal option)
- (4) Watchdog RESET (software option).

During any of these RESET's the STB/RST output pin is high.

Figure 5. System reset generation



3.1 Oscillation detection circuit

At power on, the built-in voltage regulator starts to follow the supply voltage until V_{dd} becomes higher than V_{reg}. Since it is V_{reg} which supplies the oscillator and this needs time to stabilise, Power-On-Reset with the oscillation detection circuit therefore counts the first 32768 oscillator clocks after power-on and holds the system in RESET. The system will consequently remain in RESET for at least one second after power up.

After power up the Analogue Watchdog circuit monitors the oscillator. If it stops for any reason other than SLEEP mode, then a RESET is generated and the STB/RST pin is driven high.

3.2 Reset Pin

During active or STANDBY mode the RESET terminal has a debouncer to reject noise and therefore must be active high for at least 2ms or 16ms (CLK = 32kHz) - software selectable by **DebCK** in **CIRQD** register. (see Table 31)

At power on, or when cancelling SLEEP mode, the debouncer is not active and so RESET must satisfy the filter time constant (typ. 1µsec) such that the RESET must be active high for at least 2µsec.

3.3 Input port (PA0..PA3) RESET

With a mask option it is possible to choose from four PortA reset combinations. The selected ports must be simultaneously high for at least 2ms/16ms (CLK = 32kHz) due to the presence of debouncers. Note also, that RESET with port A is not possible during SLEEP mode.

Below are the combinations of Port A (PA0..PA3) inputs, which can be used to generate a RESET. They can be selected by metal « **PortA RESET** » mask option, described in chapter 14.

Table 3. PortA Inputs RESET options (metal Hardware option)

	Function	Opt. Code
Option A	no inputs RESET	RA0
Option B	RESET = PA0 * PA1	RA1
Option C	RESET = PA0 * PA1 * PA2	RA2
Option D	RESET = PA0 * PA1 * PA2 * PA3	RA3

3.4 Watchdog Timer RESET

The Watchdog Timer RESET is a software option and if used it will generate a RESET if it is not cleared. See section 5. Watchdog timer for details.

Table 4. Watchdog-Timer Option (software option)

Watchdog Function	NoWD bit in <u>Option</u> register
Without Watchdog Time-out reset	1
With Watchdog Time-out reset	0

3.5 CPU State after RESET

RESET initialises the CPU as shown in the Table 5 below.

Table 5. Initial Value After RESET

name	bits	symbol	initial value
Program counter 0	12	PC0	\$000 (as a result of Jump 0)
Program counter 1	12	PC1	undefined
Program counter 2	12	PC2	undefined
stack pointer	2	SP	SP(0) selected
index register	7	IX	undefined
Carry flag	1	CY	undefined
Zero flag	1	Z	undefined
HALT	1	HALT	0
Instruction register	16	IR	Jump 0
periphery registers	4		see peripheral memory map

4 Oscillator

A built-in crystal oscillator circuit generates the system operating clock for the CPU and peripheral circuits from an externally connected crystal (typ. 32.768kHz) and trimmer capacitor (from Qin tw. Vss). The oscillator circuit is supplied by the regulated voltage, Vreg. In SLEEP mode the oscillator is stopped.

With **Fout** bit in **PA3cnt** register we can put the system 32.768 Hz frequency on STB/RST pin as output.

4.1 Prescaler

The input to the prescaler is the system clock signal. The prescaler consists of a fifteen (15) element divider chain which delivers clock signals for the peripheral circuits such as the timer/counter, buzzer, I/O debouncers and edge detectors, as well as generating prescaler interrupts.

Table 6.Prescaler interrupt source

Interrupt frequency	PSF1	PSF0
mask(no interrupt)	0	0
1 Hz	0	1
8 Hz	1	0
32 Hz	1	1

The frequency of prescaler interrupts is software selectable, as shown in Table 6.

Table 7. Prescaler control register - PRESC

Bit	Name	Reset	R/W	Description
3	MTim	0	R/W	Timer/Counter Interrupt Mask
2	PRST	-	R/W	Prescaler reset
1	PSF1	0	R/W	Prescaler Interrupt select 1
0	PSF0	0	R/W	Prescaler Interrupt select 0

5 Watchdog timer

If for any reason the CPU crashes, then the watchdog timer can detect this situation and output a system reset signal. This function can be used to detect program overrun. For normal operation the watchdog timer must be reset periodically by software at least once every three seconds (CLK = 32kHz) or a system reset signal is generated to CPU and periphery. The watchdog is active during STANDBY. The watchdog reset function can be deactivated by setting the **NoWD** bit to 1 in the **Option** register.

In worst case because of prescaler reset function WD time-out can come down to 2 seconds.

The watchdog timer is reset by writing 1 to the **WDRST** bit. Writing 0 to **WDRST** has no effect.

The watchdog timer also operates in STANDBY mode. It is therefore necessary to reset it if this mode continues for more than three seconds. One method of doing this is to use the prescaler 1Hz interrupt such, that the watchdog is reset every second.

Table 8.Watchdog register - WD

Bit	Name	Reset	R/W	Description
3	WDRST	-	R/W	Watchdog timer reset
2	Slmask	-	R/W	SLEEP mask bit
1	WD1	0	R	WD Timer data 1/4 Hz
0	WD0	0	R	WD Timer data 1/2 Hz

6 INPUT and OUTPUT ports

The EM6603 has four independent 4-bit ports, as shown in Table 9

Table 9. Input / Output Ports Overview

Port	Mode	Mask Options	Function(s)
PA(0:3)	Input	Pull-Up/Down (*)Debounce (*) + or – IRQ edge RESET combination	Input Interrupt Software Test Variable PA3 input for event counter RESET input(s)
PB(0:3)	Individual input or output	Nch open drain output Pull-Up/Down on input	Input or Output PB0 for buzzer output
PC(0:3)	Port input or output	Pull-Up/Down (*)+ or – IRQ edge (*)Debounce Nch open drain output	Input or Output Port Interrupt
PD(0:3)	Port input or Output	Pull-Up/Down on Input Nch open drain output	Input or Output Port PD0 -SWB serial clock output PD1 -SWB serial data output

(*) Some options can be set also by **Option** register .

Table 10. Option register - Option

Bit	Name	Reset	R/W	Description
3	IRQedgeR	0	R/W	Rising edge interrupt for portA&C
2	debPCN	0	R/W	PortC without/with debouncer
1	debPAN	0	R/W	PortA without/with debouncer
0	NoWD	0	R/W	WatchDog timer Off

IRQedgeR - Valid for both PortA and PortC input interrupt edge. At RESET it is cleared to 0 selecting the falling edge at the input as the interrupt source. When set to 1 the rising edge is active. (option 3 on Fig 6 and Fig 8)

debPAN - by default after reset it is 0 enabling the debouncers on whole portA. Writing it to 1 removes the debouncers from the PortA. (option 2 on Figure 6)

debPCN - by default after reset it is 0 enabling the debouncers on whole portC. Writing it to 1 removes the debouncers from the PortC. (option 2 on Figure 8)

NoWD - by default after reset it is 0 = Watchdog timer is On. Writing it to 1 removes the WatchDog timer.

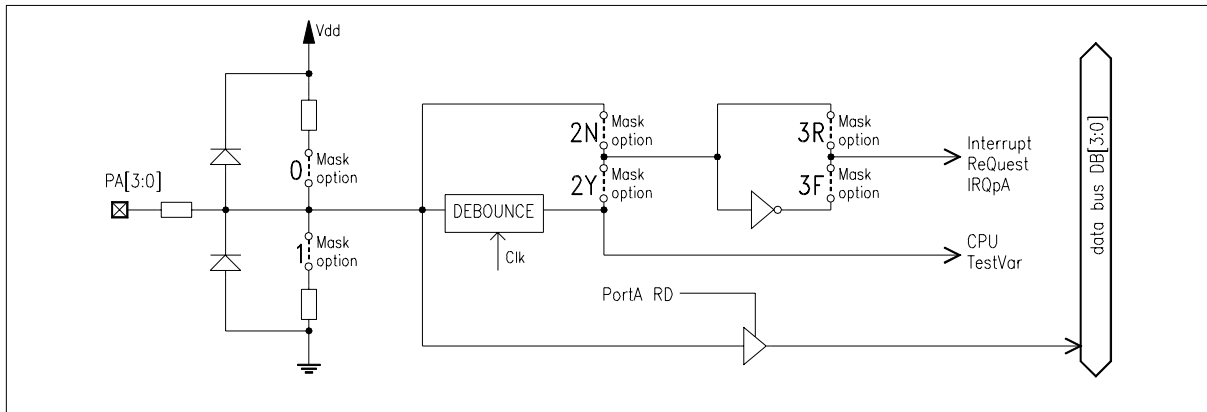
6.1 PortA

The EM6603 has one four bit general purpose input port. Each of the input port terminals PA3..PA0 has an internal pull-Up/Down resistor which can be selected with mask options. Port information is read directly from the pin into a register.

On inputs PA0, PA1, PA2 and PA3 debouncers for noise rejection are added by default. For interrupt generation, one can choose between either direct input or debounced input. With the **debPAN** bit at 0 in the Option register all the PortA inputs are debounced and with the **debPAN** bit at 1 none of the PortA inputs are debounced. With the debouncer selected the input must be stable for two rising edges of 1024Hz or 128Hz clocks (at 32kHz). This corresponds to a worst case of 1.95ms or 15.62msec. PortA terminals PA0, PA1 and PA2 are also used as input conditions for conditional software branches as shown on the next page:

Debounced **PA0** is connected to CPU **TestVar1**
 Debounced **PA1** is connected to CPU **TestVar2**
 Debounced **PA2** is connected to CPU **TestVar3**

Figure 6.Port A



Additionally, PA3 can also be used as the input terminal for the event counter (see section 8).

The input port PA(0:3) also has individually selectable interrupts. Each port has its own interrupt mask bit in the **MPortA** register. When an interrupt occurs inspection of the **IRQpA** and the **IntRg** registers allows the source of the interrupt to be identified. The **IRQpA** register is automatically cleared by a RESET, by reading the register. Reading **IRQpA** register also clears the **INTPA** flag in **IntRg** register. At initial RESET the **MPortA** is set to 0, thus disabling any input interrupts.

See also section 9 for further details about the interrupt controller.

6.2 PortA registers

Table 11.PortA input status register - PortA

Bit	Name	Reset	R/W	Description
3	PA3	-	R	PA3 input status
2	PA2	-	R	PA2 input status
1	PA1	-	R	PA1 input status
0	PA0	-	R	PA0 input status

Table 12.PortA Interrupt request register - IRQpA

Bit	Name	Reset	R/W	Description
3	IRQpa3	0	R	input PA3 interrupt request flag
2	IRQpa2	0	R	input PA2 interrupt request flag
1	IRQpa1	0	R	input PA1 interrupt request flag
0	IRQpa0	0	R	input PA0 interrupt request flag

Table 13.PortA interrupt mask register - MportA

Bit	Name	Reset	R/W	Description
3	MPA3	0	R/W	interrupt mask for input PA3
2	MPA2	0	R/W	interrupt mask for input PA2
1	MPA1	0	R/W	interrupt mask for input PA1
0	MPA0	0	R/W	interrupt mask for input PA0

6.3 PortB

The EM6603 has one four bit general purpose I/O port. Each bit PB(0:3) can be separately configured by software to be either input or output by writing to the corresponding bit of the **CIOPortB** control register. The **PortB** register is used to read data when in input mode and to write data when in output mode. On each terminal Pull-Up/Down resistor can be selected by metal option which are active only when selected as input.

Input mode is set by writing 0 to the corresponding bit in the **CIOPortB** register. This results in a high impedance state with the status of the pin being read from register **PortB**. Output mode is set by writing 1 to the corresponding bit in the **CIOPortB** register. Consequently the output terminal follows the status of the bits in the **PortB** register. At initial RESET the **CIOPortB** register is set to 0, thus setting the port to an input. Additionally, PB0 can also be used as a three tone buzzer output. For details see section 7.

6.4 PortB registers

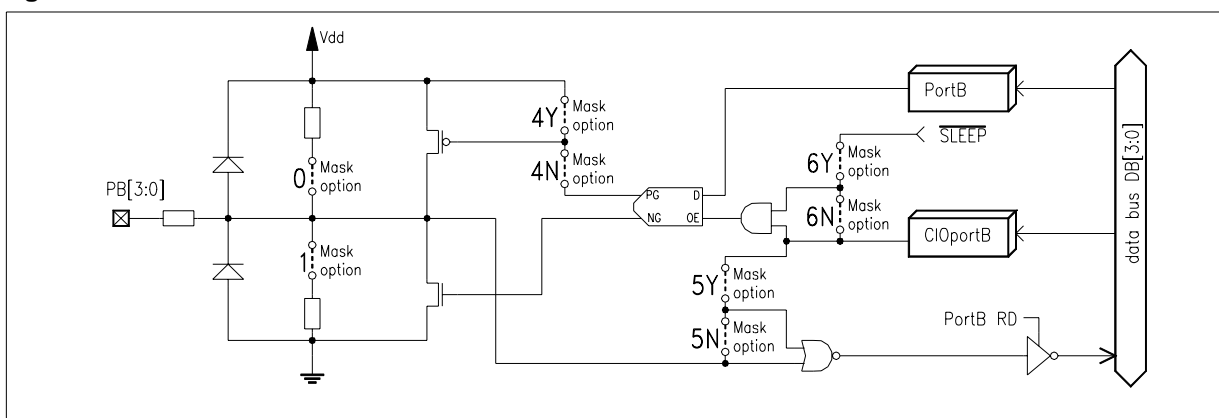
Table 14. PortB input status register - **PortB**

Bit	Name	Reset	R/W	Description
3	PB3	-	R/W	PB3 I/O data
2	PB2	-	R/W	PB2 I/O data
1	PB1	-	R/W	PB1 I/O data
0	PB0	-	R/W	PB0 I/O data

Table 15. PortB Input/Output control register - **CIOPortB**

Bit	Name	Reset	R/W	Description
3	CIOPB3	0	R/W	PB3 Input/Output select
2	CIOPB2	0	R/W	PB2 Input/Output select
1	CIOPB1	0	R/W	PB1 Input/Output select
0	CIOPB0	0	R/W	PB0 Input/Output select

Figure 7. Port B



If metal mask option **5Y** (Input blocked when Output) is used and the port is declared as the Output (**CIOPortB** = 1111b) the real port information cannot be read directly. In this case no direct logic operations (like AND **PortB**) on Output ports are possible. This logic operation can be made with an image of the Port saved in the RAM which we store after on the output port. This is valid for PortB, PortC and PortD when declared as output and the metal Option **5Y** is used. In the case of metal option **5N** selected direct logic operations on output ports are possible.

If metal mask option **6Y** (Output Hi-Z in SLEEP mode) the active Output will go Tristate when the circuit goes into SLEEP mode. In the case of **6N** output stay active also in the SLEEP mode.

6.5 PortC

This port can be configured as either input or output (not bitwise selectable). When in input mode it implements the identical interrupt functions as PortA. The **PortC** register is used to read data when input mode and to write data when in output mode. Input mode is set by writing 0 to the I/O control bit **CIOPC** in register **CPIOB** and the input becomes high impedance. On each terminal Pull-Up/Down resistor can be selected by metal option which are active only when selected as input.

The output mode is selected by writing 1 to **CIOPC** bit, and the terminal follows the bits in the **PortC** register. When PortC is used as an input, interrupt functions as described for PortA can be enabled. Input to the interrupt logic can be direct or via a debounced input. With the **debPCN** bit at 0 in the Option register all the PortC inputs are debounced and with the **debPCN** bit at 1 none of the PortC inputs are debounced. **MPortC** is the interrupt mask register for this port and **IRQpC** is the portC interrupt request register. See also section 9.

By writing the **PA&C** bit in the **CPIOB** data register it is possible to combine PortA and PortC interrupt requests (logic AND) as shown in Table 16.

At initial reset, the **CPIOC** control register is set to 0, and the port is in input mode. The **MPortC** register is also set to 0, therefore disabling interrupts.

Table 16. Ports A&C Interrupt Request

IRQPA	IRQPC	PA&C	Request to CPU
0	0	X	No
0	1	0	Yes
1	0	0	Yes
1	1	0	Yes
0	1	1	No
1	0	1	No
1	1	1	Yes

6.6 PortC registers

Table 17. PortC input/output register - PortC

Bit	Name	Reset	R/W	Description
3	PC3	-	R/W	PC3 I/O data
2	PC2	-	R/W	PC2 I/O data
1	PC1	-	R/W	PC1 I/O data
0	PC0	-	R/W	PC0 I/O data

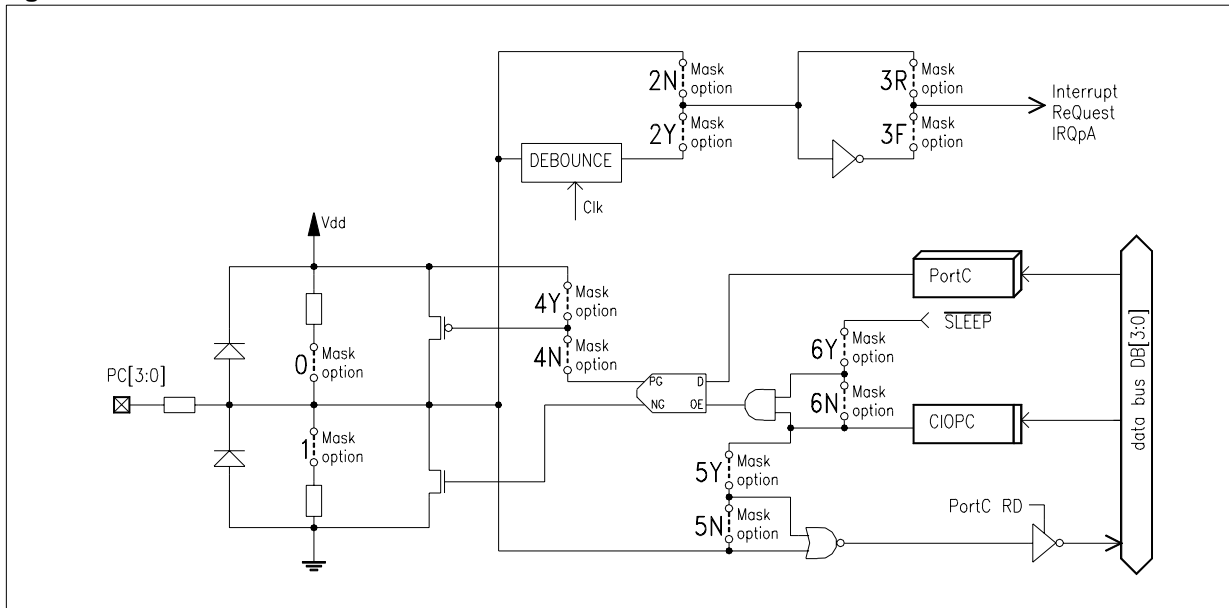
Table 18. PortC Interrupt request register - IRQpC

Bit	Name	Reset	R/W	Description
3	IRQpc3	0	R	input PC3 interrupt request flag
2	IRQpc2	0	R	input PC2 interrupt request flag
1	IRQpc1	0	R	input PC1 interrupt request flag
0	IRQpc0	0	R	input PC0 interrupt request flag

Table 19. PortC interrupt mask register - MportC

Bit	Name	Reset	R/W	Description
3	MPC3	0	R/W	interrupt mask for input PC3
2	MPC2	0	R/W	interrupt mask for input PC2
1	MPC1	0	R/W	interrupt mask for input PC1
0	MPC0	0	R/W	interrupt mask for input PC0

Figure 8.Port C



For PortC and PortD metal options **5Y/N** and **6Y/N** are Port-wise (for the whole port).

For PortB these options are bit-wise (every terminal can have individual mask set-up for the options **5Y/N** and **6Y/N**).

6.7 PortD

The EM6603 has one all purpose I/O port similar to PortC but without interrupt capability. The **PortD** register is used to read input data when an input and to write output data for output. The input line can be pulled Up/Down (metal option) when the port is used as input. Input mode is set by writing 0 to the I/O control bit **CIOPD** in register **CPIOB**, and the terminal becomes high impedance. On each terminal Pull-Up/Down resistor can be selected by metal option which are active only when selected as input.

Output mode is set by writing 1 to the control bit **CIOPD**. Consequently, the terminal follows the status of the bits in the **PortD** register. If Serial Write Buffer function is enabled PD0 and PD1 terminals of PortD output serial clock and serial data respectively. For details see **11.0 Serial Write Buffer**.

6.8 PortD registers

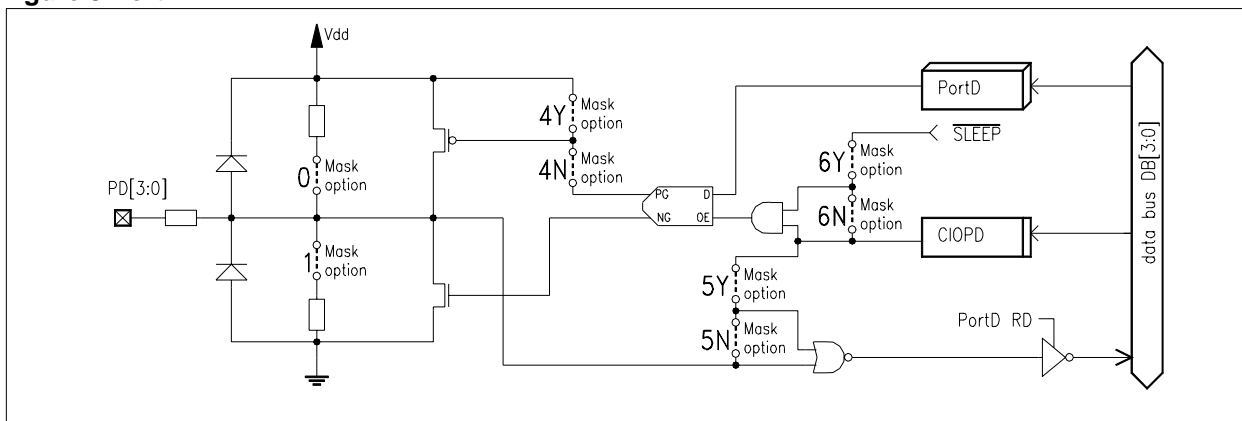
Table 20. PortD Input/Output register - **PortD**

Bit	Name	Reset	R/W	Description
3	PD3	0	R/W	PD3 I/O data
2	PD2	0	R/W	PD2 I/O data
1	PD1	0	R/W	PD1 I/O data
0	PD0	0	R/W	PD0 I/O data

Table 21. Ports control register - **CPIOB**

Bit	Name	Reset	R/W	Description
3	-	-	R/W	not used
2	CIOPD	0	R/W	I/O PortD select
1	CIOPC	0	R/W	I/O PortC select
0	PA&C	0	R/W	Logical AND of IRQ's from PortA & PortC

Figure 9. Port D





7 BUZZER

The EM6603 has one 50% duty cycle output with three different frequencies which can be used to drive a buzzer. I/O terminal PB0 is used for this function when the buzzer is enabled by setting the **BUen** bit to 1. Table 22 below shows how to select the frequency by writing to the **BCF1** and **BCF0** control flags in the **BEEP** register.

After writing to the buzzer control register **BEEP**, the chosen frequency (or silence) is selected immediately. With the **BUen** bit set to 1, the selected frequency is output at PB0. When the **BUen** is set to 0 PB0 is used as a normal I/O terminal of PortB. The **BUen** bit has a higher priority over the I/O control bit **CIOPB0** in the **CIOPortB** register.

Table 22. Buzzer frequency selection

Tone frequency	BCF1	BCF0
silence	0	0
1024 Hz	0	1
2048 Hz	1	0
2667 Hz	1	1

7.1 Buzzer Register

Table 23. Buzzer control register - BEEP

Bit	Name	Reset	R/W	Description
3	TimEn	0	R/W	Timer/counter enable
2	BUen	0	R/W	Buzzer enable
1	BCF1	0	R/W	Buzzer Frequency control
0	BCF0	0	R/W	Buzzer Frequency control

8 Timer/Event Counter

The EM6603 has a built-in 8 bit count-down auto-reload Timer/Event counter that takes an input from either the prescaler or Port PA3. If the Timer/Event counter counts down to \$00 the interrupt request flag **IntTim** is set to 1. If the Timer/Event counter interrupt is enabled by setting the mask flag **MTimC** set to 1, then an interrupt request is generated to the CPU. See also section 9. If used as an event counter, pulses from the PA3 terminal are input to the event counter. See figure 10 and tables 28 and 29 on the next page for PA3 source selection (debounced or not, Rising/Falling edge). By default rising and debounced PA3 input is selected.

The timer control register **TimCtr** selects the auto-reload function and input clock source. At initial RESET this bit is cleared to 0 selecting no auto-reload. To enable auto-reload **TimAuto** must be set to 1. The Timer/Event counter can be enabled or disabled by writing to the **TIMen** control bit in the **BEEP** register. At initial RESET it is cleared to 0. When used as timer, it is initialised according to the data written into the timer load/status registers **LTimLS** (low 4 bits) and **HTimLS** (high four bits). The timer starts to count down as soon as the **LTimLS** value is written. When loading the Timer/Event counter registers the correct order must be respected: First, write either the control register **TimCtr** or the high data nibble **HTimLS**. The last register written should be the low data nibble **LTimLS**. During count down, the timer can always be reloaded with a new value, but the high four bits will only be accepted during the write of the low four bits.

In the case of the auto-reload function, the timer is initialised with the value of the load registers **LTimLS** and **HTimLS**. Counting with the auto-reload function is only enabled during the write to the low four bits, (writing **TimAuto** to 1 does not start the timer counting down with the last value in the timer load registers but it waits until a new **LTimLS** load). The timer counting to \$00 generates a timer interrupt event and reloads the registers before starting to count down again. To stop the timer at any time, a write of \$00 can be made to the timer load registers, this sets the **TimAuto** flag to 0. If the timer is stopped by writing the **TimEn** bit to 0, the timer status can be read. The current timer status can be always obtained by reading the timer registers **LTimLS** and **HTimLS**. For proper operation read ordering should be respected such that the first read should be of the **LTimLS** register followed by the **HTimLS** register. Example: To have continuous 1sec timer IRQ with 128Hz one has to write 128dec (80hex) in Timer registers with auto-reload.

Using the Timer/Event Counter as the event counter allows several possibilities:

- 1.) Firstly, load the number of PA3 input edges expected into the load registers and then generate an interrupt request when counter reaches \$00.
- 2.) The second is to write timer/counter to \$FF, then select the event counter mode, and lastly enable the event counter by setting the **TimEn** bit to 1, which starts the count.

Because the counter counts down, a binary complement has to be done in order to get the number of events at the PA3 input.

- 3) Another option is to use the Timer/Event counter in conjunction with the prescaler interrupt, such that it is possible to count the number of the events during two consecutive 32Hz, 8Hz or 1Hz prescaler interrupts.

Figure 10. Timer / Event Counter

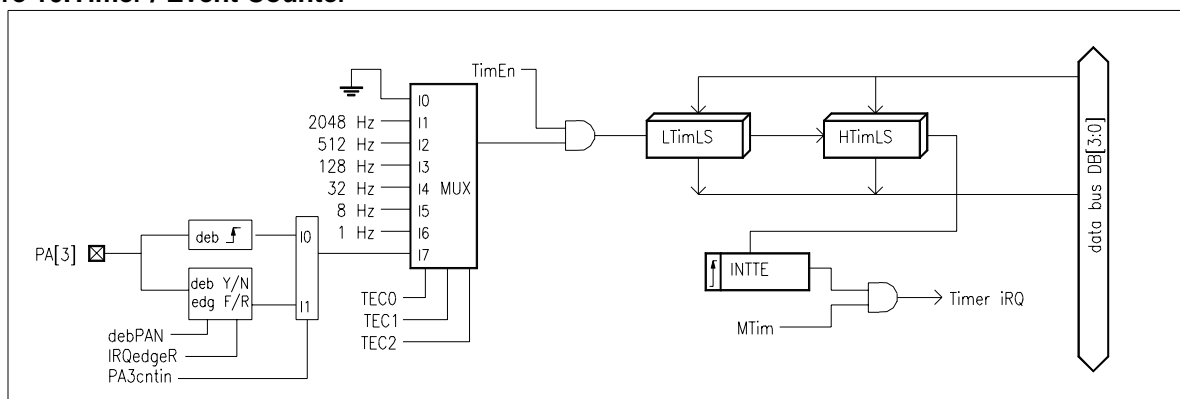


Table 24 shows the selection of inputs to the Timer/Event counter.

Table 24. Timer Clock Selection

TEC2	TEC1	TEC0	Timer/Counter clock source
0	0	0	not active
0	0	1	2048 Hz from prescaler
0	1	0	512 Hz from prescaler
0	1	1	128 Hz from prescaler
1	0	0	32 Hz from prescaler
1	0	1	8 Hz from prescaler
1	1	0	1 Hz from prescaler
1	1	1	PA3 input terminal (see tables 28 and 29)

8.1 Timer/Counter registers

Table 25. Timer control register - TimCtr

Bit	Name	Reset	R/W	Description
3	TimAuto	0	R/W	Timer/Counter AUTO reload
2	TEC2	0	R/W	Timer/Counter mode 2
1	TEC1	0	R/W	Timer/Counter mode 1
0	TEC0	0	R/W	Timer/Counter mode 0

Table 26. LOW Timer Load/Status register - LTimLS (4 low bits)

Bit	Name	Reset	R/W	Description
3	TL3/TS3	0	R/W	Timer load/status bit 3
2	TL2/TS2	0	R/W	Timer load/status bit 2
1	TL1/TS1	0	R/W	Timer load/status bit 1
0	TL0/TS0	0	R/W	Timer load/status bit 0

Table 27. HIGH Timer Load/Status register - HTimLS (4 high bits)

Bit	Name	Reset	R/W	Description
3	TL7/TS7	0	R/W	Timer load/status bit 7
2	TL6/TS6	0	R/W	Timer load/status bit 6
1	TL5/TS5	0	R/W	Timer load/status bit 5
0	TL4/TS4	0	R/W	Timer load/status bit 4

Table 28. PA3 counter input selection register - PA3cnt

bit	Name	Reset	R/W	Description
3	-	-	-	empty
2	-	-	-	empty
1	Fout	0	R/W	System freq. output on STB/RST pad
0	PA3cnt	0	R/W	PA0 input status

Table 29. PA3 counter input selection

PA3cntin	debPAN	IRQedgeR	Counter source
0	X	X	PA3 debounced rising edge
1	0	0	PA3 debounced falling edge
1	0	1	PA3 debounced rising edge
1	1	0	PA3 not debounced falling edge
1	1	1	PA3 not debounced rising edge

X (Don't care)

9 Interrupt Controller

The EM6603 has six different interrupt sources, each of which is maskable. These are:

- | | |
|--------------|---|
| External (3) | <ul style="list-style-type: none"> - PortA PA3..PA0 inputs - PortC PC3..PC0 inputs - combined AND of PortA * PortC |
| Internal (3) | <ul style="list-style-type: none"> - Prescaler (32Hz / 8Hz / 1Hz) - Timer/Event counter - SWB in interactive mode |

For an interrupt to the CPU to be generated, the interrupt request flag must be set (**INTxx**), and the corresponding mask register bit must be set to 1 (**Mxx**), the general interrupt enable flag (**INTEN**) must also be set to 1. The interrupt request can be masked by the corresponding interrupt mask registers **MPortx** for each input interrupt and by **PSF0**, **PSF1** and **MTim** for internal interrupts. At initial reset the interrupt mask bits are set to 0. **INTEN** bit is set automatically to 1 by Halt Instruction except when starting the Automatic SWB transfer (see Serial Write Buffer (SWB) chapter 11)

The CPU is interrupted when one of the interrupt request flags is set to 1 in register **IntRq** and the **INTEN** bit is enabled in the control register **CIRQD**. **INTTE** and **INTPR** flags are cleared automatically after a read of the **IntRq** register. The other two interrupt flags **INTPA** (IRQ from PortA) and **INTPC** (IRQ from PortC) in the **IntRq** register are cleared only after reading the corresponding Port interrupt request registers **IRQpA** and **IRQpC**. At the Power on reset and in SLEEP mode the **INTEN** bit is also set to 0 therefore not allowing any interrupt requests to the CPU until it is set to 1 by software.

Since the CPU has only one interrupt subroutine and because the **IntRq** register is cleared after reading, the CPU does not miss any of the interrupt requests which come during the interrupt service routine. If any occur during this time a new interrupt will be generated as soon as the CPU comes out of the current interrupt subroutine. Interrupt priority can be controlled through software by deciding which flag in the **IntRq** register should be serviced first.

For SWB interactive mode interrupt see section 11.0 Serial Write Buffer.

9.1 Interrupt control registers

Table 30. Main Interrupt request register - **IntRq** (Read Only)*

Bit	Name	Reset	R/W	Description
3	INTPR	0	R	Prescaler interrupt request
2	INTTE	0	R	Timer/counter interrupt request
1	INTPC	0	R	PortC Interrupt request
0	INTPA	0	R	PortA Interrupt request
2	SLEEP	0	W*	SLEEP mode flag

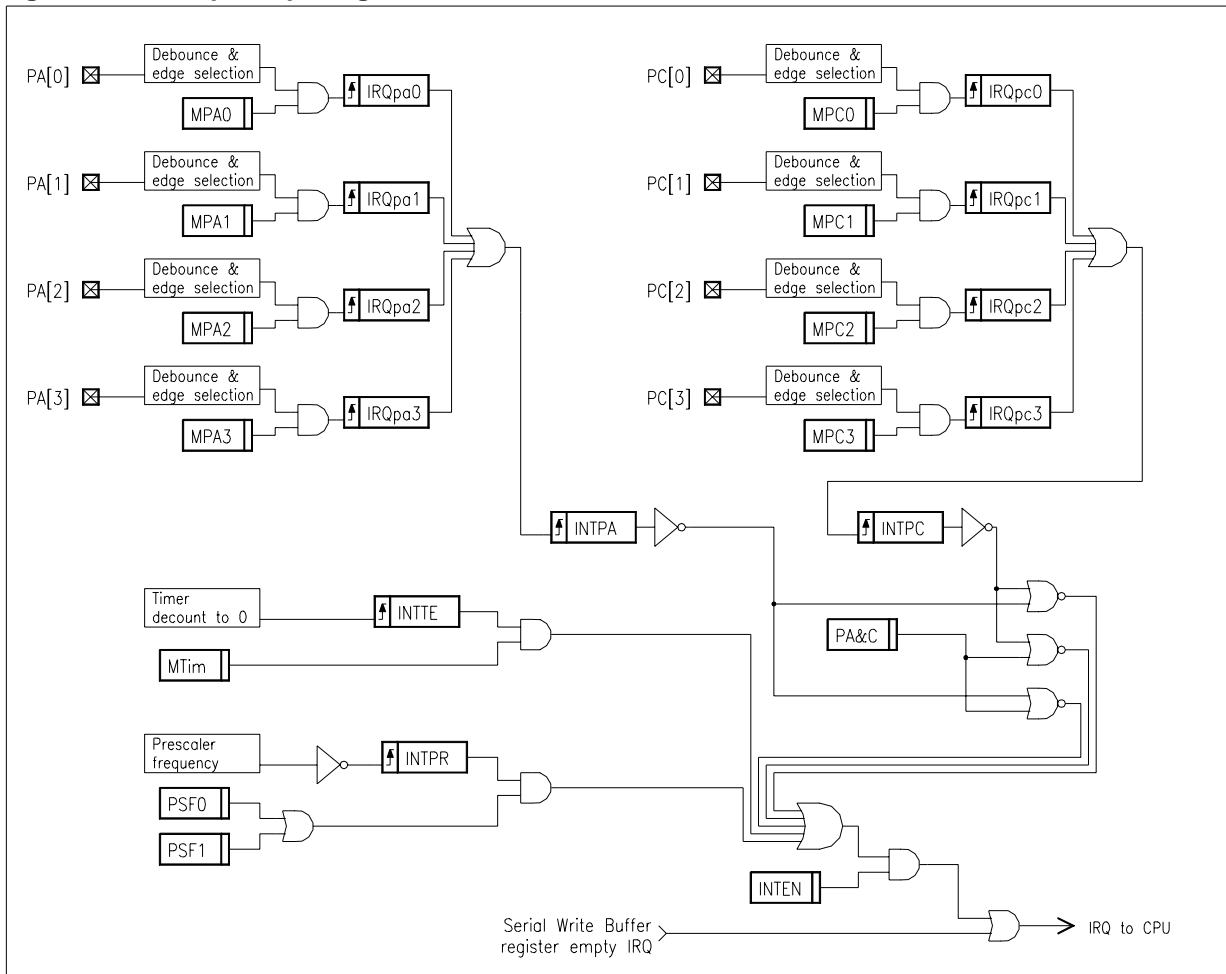
* Write bit 2 only if **SLmask=1**

If the **SLEEP** flag is written with 1 then the EM6603 goes immediately into SLEEP mode (**SLmask** was at 1).

Table 31.register - CIRQD

Bit	Name	Reset	R/W	Description
3	RESERVED	-	-	-
2	RESERVED	-	-	-
1	DebCK	0	R/W	Debouncer clock select (0=2ms : 1=16ms)
0	INTEN	0	R/W	Enable interrupt to CPU (1=enabled)

Figure 11.Interrupt Request generation



MTim

IRQ mask bit which can be written to 0 or 1 (1 to enable an interrupt)

INTTE

interrupt request flag which is set on the input rising edge.

Timer IRQ flag **INTTE** and prescaler IRQ flag **INTPR** arrive independent of their mask bits not to lose any timing information. But the μ processor will be interrupted only with mask set to 1.



10 Supply Voltage Level Detector (SVLD)

The EM6603 has a software configurable built-in supply voltage level detector. Three levels can be defined between $VDD_{min} + 100mV$ and $VDD_{max} - 600mV$ in steps of 100mV. During SLEEP mode this function is disabled.

The required voltage compare level is selected by writing the bits **VLC1** and **VLC2** in the **SVLD** control register which also activates the compare measurement. Since the measurement is not immediate the busy flag remains high during the measurement and is automatically cleared low when the measurement is finished. The result is indicated by inspection of the **VLDR** flag. If the result is 0 then the voltage level is higher than the selected compare level. And if 1 is lower than the compare level. The result **VLDR** of the last measurement remains until the new one is finished. The new result overwrites the previous one.

During the SVLD operation power consumption increases by approximately 3 μ A for 3.9msec. The measurement internally starts with the rising 256Hz edge following the SVLD test command. The additional SVLD consumption stops after the falling edge of the 256Hz internal clock.

Table 32 lists the possible voltage levels

Table 32. SVLD level selection

Evaluation voltage	VLC1	VLC0
not active	0	0
VL1 (low level)	0	1
VL2	1	0
VL3 (high level)	1	1

10.1 SVLD register

Table 33. SVLD control register - SVLD

Bit	Name	Reset	R/W	Description
3	VLDR	0	R	SVLD result (0=higher 1=lower)
2	busy	0	R	measurement in progress
1	VLC1	0	R/W	SVLD level control 1
0	VLC0	0	R/W	SVLD level control 0

11 Serial (Output) Write Buffer – SWB

The EM6603 has a simple Serial Write Buffer (SWB) which outputs serial data and serial clock.

The SWB is enabled by setting the bit **V03** in the **CLKSWB** register as well as setting port D to output mode. The combination of the possible PortD mode is shown in Table 34. In SWB mode the serial clock is output on port D0 and the serial data is output on port D1.

The signal TestVar[3], which is used by the processor to make conditional jumps, indicates "Transmission finished" in automatic send mode or "SWBbuffer empty" in interactive send mode. In interactive mode, TestVar[3] is equivalent to the interrupt request flags stored in **IntRq** register : it permits to recognize the interrupt source. (See also the interrupt handling section 9. Interrupt Controller for further information). To serve the "SWBbuffer empty " interrupt request, one only has to make a conditional jump on TestVar[3].

The Serial Write Buffer output clock frequency is selected by bits **ClkSWB0** and **ClkSWB1** in the **ClkSWB** register. The possible values are 1kHz (default), 2kHz, 8kHz or 16kHz and are shown in Table 34.

Table 34. SWB clock selection

SWB clock output	CkSWB1	CkSWB0
1024 Hz	0	0
2048 Hz	0	1
8192 Hz	1	0
16384 Hz	1	1

Table 35. SWB clock selection register - ClkSWB

Bit	Name	Reset	R/W	Description
3	V03	0	R/W	Serial Write buffer selection
2	-	0	R	RESERVED - read 0
1	CkSWB1	0	R/W	SWB clock selector 1
0	CkSWB0	0	R/W	SWB clock selector 0

Table 36. PortD status

PortD status	CIOPD	V03	PD0	PD1	PD2	PD3
« NORMAL »	0	0	input	input	input	input
« NORMAL »	0	1	input	input	input	input
« NORMAL »	1	0	output PD0	output PD1	output PD2	output PD3
« SWB »	1	1	serial clock Out	SWB serial data	output PD2	output PD3

When the SWB is enabled by setting the bit **V03** TestVar[3], which is used to make conditional jumps, is reassigned to the SWB and indicates either "SWBbuffer empty " interrupt or "Transmission finished" . After Power-on-RESET **V03** is cleared at "0" and TestVar[3] is consequently assigned to PA2 input terminal.

The SWB data is output on the rising edge of the clock. Consequently, on the receiver side the serial data can be evaluated on falling edge of the serial clock edge.

Figure 12. Serial write buffer

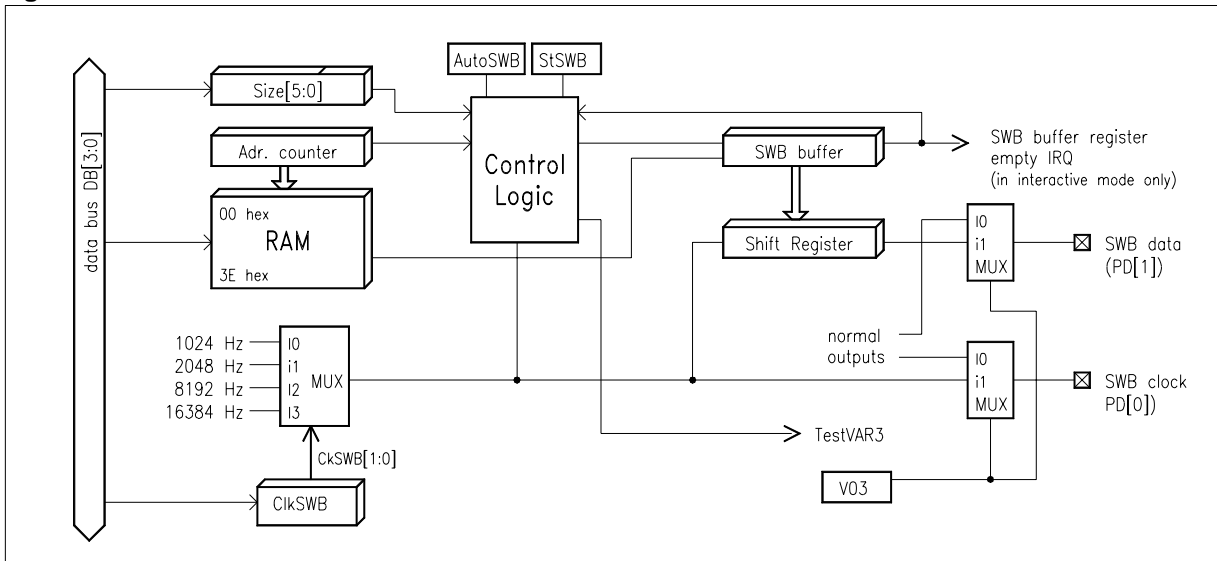


Table 37. SWB buffer register - SWbuff

Bit	Name	Reset	R/W	Description
3	Buff3	1	R/W	SWB buffer D3
2	Buff2	1	R/W	SWB buffer D2
1	Buff1	1	R/W	SWB buffer D1
0	Buff0	1	R/W	SWB buffer D0

Table 38. SWB Low size register - LowSWB

Bit	Name	Reset	R/W	Description
3	Size[3]	0	R/W	Auto mode buffer size bit3
2	Size[2]	0	R/W	Auto mode buffer size bit2
1	Size[1]	0	R/W	Auto mode buffer size bit1
0	Size[0]	0	R/W	Auto mode buffer size bit0

Table 39. SWB High size register - HighSWB

Bit	Name	Reset	R/W	Description
3	AutoSWB	0	R/W	SWB Automatic mode select
2	StSWB	0	R/W	SWB start interactive mode
1	Size[5]	0	R/W	Auto mode buffer size bit5
0	Size[4]	0	R/W	Auto mode buffer size bit4

The SWB has two operational modes, automatic mode and interactive mode.

11.1 SWB Automatic send mode

Automatic mode enables a buffer on a predefined length to be sent at high transmission speeds (up to 16khz). In this mode user prepares all the data to be sent (minimum 8 bits, maximum 256 bits) in RAM. The user then selects the clock speed, sets the number of data nibbles to be sent, selects automatic transmission mode (**AutoSWB** bit set to 1) and enters STANDBY mode by executing a HALT instruction. Once the HALT instruction is activated the SWB peripheral module sends the data in register **SWBuff** followed by the data in the RAM starting at address 00 up to the address specified by the bits **size[5:0]** located in the **LowSWB**, **HighSWB** registers.

During automatic transmission the general **INTEN** bit is disabled automatically to prevent other Interrupts to reset the standby mode. At the end of automatic transmission EM6603 leaves standby mode (**INTEN** is *automatically Enabled*) and sets TestVar[3] high. TestVar[3] = 1 is signaling SWB transmission is terminated.

As soon as **SWBAuto** is high, the general IntEn flag is disabled until the **SWBAuto** goes back low.

After automatic SWB transmission **INTEN** bit becomes active high. Although set to 1 via the Halt instruction the bit **INTEN** is disabled throughout the whole SWB automatic transmission. It resumes to 1 at the end of transmission.

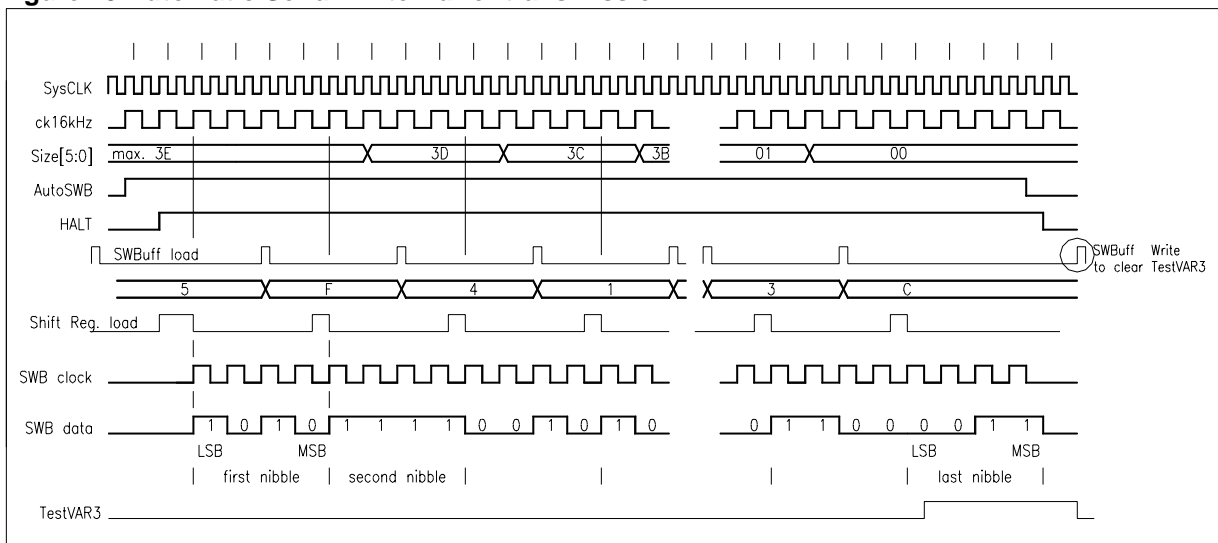
The data to be sent must be prepared in the following order:

First nibble to be sent must be written in the **SWBuff** register . The other nibbles must be loaded in the RAM from address 0 (second nibble at adr.0, third at adr.1,...) up to the address with last nibble of data to be send = "size" address. Max. address space for SWB is 3E ("size" 3E hex) what gives with **SWBuff** up to 64 nibbles (256 bits) of possible data to be sent. The minimum possible data length we can send in Automatic SWB mode is 8 bits when the last RAM address to be sent is 00 ("size" = 00)

Once data are ready in the RAM and in the **SWBuff**, user has to load the "size" (adr. of the last nibble to be send - bits **size[5:0]**) into the **LowSWB** and **HighSWB** register together with **AutoSWB** bit = 1.

Now everything is ready for serial transmission. To start the transmission one has to put the EM6603 in standby mode with the HALT instruction. With this serial transmission starts. When transmission is finished the TESTvar[3] (can be used for conditional jumps) becomes active High, the **AutoSWB** bit is cleared, the processor is leaving the Standby mode and **INTEN** is switched on.

Figure 13. Automatic Serial Write Buffer transmission





EM6603

The processor now starts to execute the first instruction placed after the HALT instruction (for instance write of **SWBuff** register to clear TESTvar[3]), except if there was a IRQ during the serial transmission. In this case the CPU will go directly in the interrupt routine to serve other interrupt sources.

TestVar[3] stays high until **SWBuff** is rewritten. Before starting a second SWB action this bit must be cleared by performing a dummy write on **SWBuff** address.

Because the data in the RAM are still present one can start transmitting the same data once again only by recharging the **SWBuff** , **LowSWB** and **HighSWB** register together with **AutoSWB** bit and putting the EM6603 in HALT mode will start new transmission.

11.2 SWB Interactive send mode

In interactive SWB mode the reloading of the data transmission register **SWBbuff** is performed by the application program. This means that it is possible to have an unlimited length transmission data stream. However, since the application program is responsible for reloading the data a continuous data stream can only be achieved at 1kHz or 2kHz transmission speeds. For the higher transmission speeds a series of writes must be programmed and the serial output clock will not be continuous.

Serial transmission using the interactive mode is detailed in Figure 14. Programming of the SWB in interactive is achieved in the following manner:

- Select the transmission clock speed using the bits **ClkSW0** and **ClkSW1** in the **ClkSWB** register.

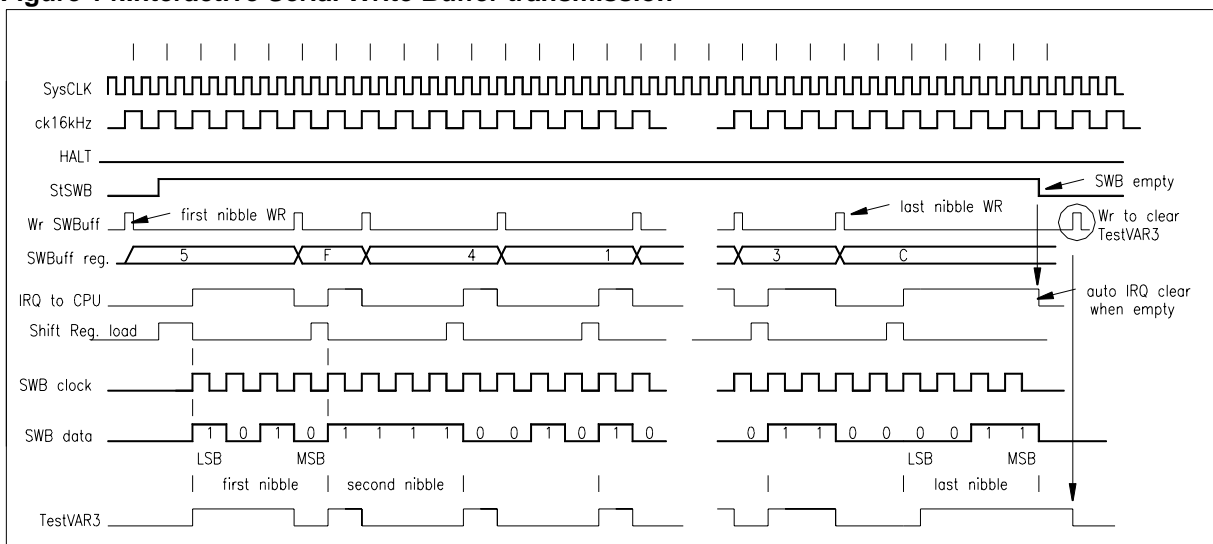
- Load the first nibble of data into the SWB data register **SWBbuff**

- Start serial transmission by selecting the bit **StSWB** in the register **HighSWB** register.

Once the data has been transferred into the serial transmission register a non maskable interrupt (SWBEmpty) is generated and TESTvar[3] goes high. The CPU goes in the interrupt routine, with the JPV3 as first instruction in the routine one can immediately jump to the SWB update routine to load the next nibble to be transmitted into the **SWBbuff** register. If this reload is performed before all the serial data is shifted out then the next nibble is automatically transmitted. This is only possible at the transmission speeds of 1KHz or 2KHz due to the number of instructions required to reload the register. At the higher transmission speeds of 8khz and 16khz the application must restart the serial transmission by writing the **StSWB** in the High **SWBHigh** register after writing the next nibble to the **SWBbuff** register.

Each time the **SWBbuff** register is written the "SWBbuffer empty interrupt" and TestVar[3] are cleared to "0". For proper operation the **SWBbuff** register must be written before the serial clock drops to low during sending the last bit (MSB) of the previous data.

Figure 14. Interactive Serial Write Buffer transmission



After loading the last nibble in the **SWBbuff** register a new interrupt is generated when this data is transferred to an intermediate Shift Register. Precaution must be made in this case because the SWB will give repetitive interrupts until the last data is sent out completely and the **StSWB** bit goes low automatically. One possibility to overcome this is to check in the Interrupt subroutine that the **StSWB** bit went low before exiting interrupt. Be careful because if **StSWB** bit is cleared by software transmission is stopped immediately.

At the end of transmission a dummy write of **SWBbuff** must be done to clear TESTvar[3] and "SWBbuffer empty interrupt" or the next transmission will not work.



12 STroBe / ReSeT Output

The STB/RST output pin is used to indicate the EM6603 RESET condition as well as write operations to ports B, C and D. For a PortB, PortC and PortD write operation the STROBE signal goes high for half of the system clock period. Write is effected on falling edge of the strobe signal and it can this be used to indicate when data changes at the output port pins. In addition, any EM6603 internal RESET condition is indicated by a continuous high level on STB/RST for the period of the RESET.

13 Test at EM - Active Supply Current test

For this purpose, five instructions at the end of the ROM will be added.

```
TESTLOOP : ;RESET WATCHDOG HERE
           STI    05H,  05H          ;TEST LOOP
           STI    0AH   0AH
           LDR    05A
           LDR    0AH
           JMP   TESTLOOP
```



14 Metal Mask Options

The following options can be selected at the time of programming the metal mask ROM.

Table 40 Input/Output Ports

		Pull-Up Yes / No	Pull-Down Yes / No	Nch-open drain Yes / No	Input blocked when Output Yes / No	Output Hi-Z in SLEEP mode Yes / No
		0	1	4	5 * ₁	6 * ₂
A0	PA0 input					
A1	PA1 input					
A2	PA2 input					
A3	PA3 input					
B0	PB0 In/Out					
B1	PB1 In/Out					
B2	PB2 In/Out					
B3	PB3 In/Out					
C0	PC0 In/Out					
C1	PC1 In/Out					
C2	PC2 In/Out					
C3	PC3 In/Out					
D0	PD0 In/Out					
D1	PD1 In/Out					
D2	PD2 In/Out					
D3	PD3 In/Out					

Put one letter (Y, N, R, F) in each BOX from proposed for the column.

*₁ Port wise for PortC and PortD (one possibility for the whole port); PortB bit-wise

*₂ Port-wise for PortC and PortD (one possibility for the whole port); PortB bit-wise

Table 41 PortA RESET option - One Option must be selected

		NO PortA reset combination	PA0 & PA1 logic AND input reset	PA0 & PA1 & PA2 logic AND input reset	PA0 & PA1 & PA2 & PA3 logic AND input reset
		0	1	2	3
RA	PortA RESET				

Table 42 SVLD levels – See 16.6 DC characteristics –SV Detector Levels – Write typ. value of used levels

		typ. VL1 level [V]	typ. VL2 level [V]	typ. VL3 level [V]
VL	SVLD level in Volts			

Software name is : _____ .bin, dated _____

**The customer should specify the required options at the time of ordering.
A copy of this sheet, as well as the « Software ROM characteristic file » generated by
the assembler (*.STA) should be attached to the order.**



15 PERIPHERAL MEMORY MAP

The following table shows the peripheral memory map of the EM6603. The address space is between \$00 and \$7F (Hex). Any addresses not shown can be considered to be reserved.

Register name	add hex	add dec	power up value	write_bits	read_bits	Remarks
			b'3210	Read/Write_bits		
RAM	00-5f	0-95	xxxx	0: D0 1: D1 2: D2 3: D3		direct addressing
LTimLS	60	96	0000	0: TL0 1: TL1 2: TL2 3: TL3	0: TS0 1: TS1 2: TS2 3: TS3	low nibble of 8bit timer load and status register
HTimLS	61	97	0000	0: TL4 1: TL5 2: TL6 3: TL7	0: TS4 1: TS5 2: TS6 3: TS7	high nibble of 8bit timer load and status register
TimCtr	62	98	0000	0: TEC0 1: TEC1 2: TEC2 3: TimAuto		timer control register with frequency selector
Option	63	99	0000	0: NoWD 1: debPAN 2: debPCN 3: IRQedgeR		option register
PA3cnt	65	101	xxx0	0: PA3cntin 1: Fout 2: - 3: -		PA3 counter input Frequency output on STRB
ClkSWB	68	104	0000	0: CkSWB0 1: CkSWB1 2: - 3: V03		Clock selector for SWB
SWBuff	69	105	1111	0: Buff0 1: Buff1 2: Buff2 3: Buff3		SWB intermediate buffer
LowSWB	6A	106	0000	0: size[0] 1: size[1] 2: size[2] 3: size[3]		low nibble to define the size of data to be send in Automatic mode
HighSWB	6B	107	0000	0: size[4] 1: size[5] 2: StSWB 3: AutoSWB		the size of the data to be sent & SWB control
SVLD	6C	108	0000	0: VLC0 1: VLC1 2: - 3: -	0: VLC0 1: VLC1 2: busy 3: VLDR	voltage level detector control
CIRQD	6D	109	xx00	0: INTEN 1: DebCK 2: - 3: -		global interrupt enable debouncer clock
Index LOW	6E	110	xxxx			internally used for INDEX register
Index HIGH	6F	111	xxxx			internally used for INDEX register



Register name	add hex	add dec	power up value	write_bits	read_bits	Remarks
			b'3210	Read/Write_bits		
IntRq	70	112	0000	0: - 1: - 2: SLEEP 3: -	0: INTPA 1: INTPC 2: INTTE 3: INTPR	interrupt requests sleep mode
WD	71	113	0000	0: - 1: - 2: SLmask 3: WDrst	0: WD0 1: WD1 2: SLmask 3: 0	WatchDog timer control and SLEEP mask
PortA	72	114	xxxx		0: PA0 1: PA1 2: PA2 3: PA3	Port A status
IRQpA	73	115	0000		0: IRQpa0 1: IRQpa1 2: IRQpa2 3: IRQpa3	Port A interrupt request
MPortA	74	116	0000		0: MPA0 1: MPA1 2: MPA2 3: MPA3	Port A mask
PortB	75	117	xxxx		0: PB0 1: PB1 2: PB2 3: PB3	Port B Input/Output
CIOportB	76	118	0000		0: CIOPB0 1: CIOPB1 2: CIOPB2 3: CIOPB3	Port B Input/Output individual control
PortC	77	119	xxxx		0: PC0 1: PC1 2: PC2 3: PC3	Port C Input/Output
IRQpC	78	120	0000		0: IRQpc0 1: IRQpc1 2: IRQpc2 3: IRQpc3	Port C interrupt request
MPortC	79	121	0000		0: MPC0 1: MPC1 2: MPC2 3: MPC3	Port C mask
PortD	7A	122	xxxx		0: PD0 1: PD1 2: PD2 3: PD3	Port D Input/Output
CPIOB	7C	124	x000		0: PA&C 1: CIOPC 2: CIOPD 3: -	PortAirq AND PortCirq PortC In/Out PortD In/Out
PRESC	7D	125	0000	0: PSF0 1: PSF1 2: PRST 3: MTim	0: PSF0 1: PSF1 2: 0 3: MTim	Prescaler control timer mask
BEEP	7E	126	0000		0: BCF0 1: BCF1 2: BUen 3: TimEn	Buzzer control Timer Enable
RegTestEM	7F	127	----	----	----	reserved

16 Electrical specifications

16.1 Absolute maximum ratings

	min.	max.	unit
Supply voltage VDD-VSS	- 0.2	+ 3.6	V
Input voltage	VSS - 0.2	VDD+0.2	V
Storage temperature	- 40	+ 125	°C

Stresses above these listed maximum ratings may cause permanent damage to the device. Exposure beyond specified electrical characteristics may affect device reliability or cause malfunction.

16.2 Standard Operating Conditions

Parameter	value	Description
Temperature	-20°C...+85°C	
VDD_range1	+1.4 ...+3.6V	With internal voltage regulator
VDD_range2 (Vreg = VDD) *	+1.2 ...+1.8V	Without internal voltage regulator
VSS	0 V (reference)	
CVreg	min. 100nF	regulated voltage capacitor tow. Vss
f _q	32768 Hz	nominal frequency
R _{qs}	35 kOhm	typical quartz serial resistor
CL	8.2pF	typical quartz load capacitance
df/f	+/- 30 ppm	quartz frequency tolerance

16.3 Handling Procedures

This device has built-in protection against high static voltages or electric fields; however, anti-static precautions should be taken as for any other CMOS component.

Unless otherwise specified, proper operation can only occur when all terminal voltages are kept within the supply voltage range.

16.4 DC characteristics - Power Supply Pins

V_{dd}=V_{reg}=1.5V, T=25°C (note4) (unless otherwise specified)

Parameter	Conditions	Symb.	Min.	Typ. (note1)	Max.	Unit
ACTIVE Supply Current	+25°C (note2)	IVDDa		1.8	3.0	μA
ACTIVE Supply Current (in active mode)	(note2) (note2) -20°C...+85°C	IVDDa			6.0	μA
STANDBY Supply Current	+25°C	IVDDh		0.35	0.6	μA
STANDBY Supply Current (in Halt mode)	(note3) -20°C...+85°C	IVDDh			3.0	μA
SLEEP Supply Current	+25°C	IVDDs		0.1	0.2	μA
SLEEP Supply Current (SLEEP =1)	(note3) -20°C...+85°C	IVDDs			2.5	μA
POR voltage		VPOR		0.7	1.1	V
RAM data retention		V _{rd}	1.1			V
Regulated Voltage	V _{reg} not at V _{dd}	V _{reg}	1.1		1.5	V

Vdd=3.0V, T=25°C (note4) (unless otherwise specified), Vreg not shorted to Vdd

Parameter	Conditions	Symb.	Min.	Typ. (note1)	Max.	Unit
ACTIVE Supply Current	+25°C (note2)	IVDDa		1.8	3.0	μA
ACTIVE Supply Current (in active mode)	(note2) (note3) -20°C...+85°C	IVDDa			6.0	μA
STANDBY Supply Current	+25°C	IVDDh		0.35	1.0	μA
STANDBY Supply Current (in Halt mode)	(note3) -20°C...+85°C	IVDDh			3.0	μA
SLEEP Supply Current	+25°C	IVDDs		0.1	0.4	μA
SLEEP Supply Current (SLEEP =1)	(note3) -20°C...+85°C	IVDDs			2.5	μA
Regulated Voltage	-20°C...+85°C	Vreg	1.1		1.85	V

* Because of the voltage regulator drop at low voltages Vreg = Vdd when Vdd<1.4V

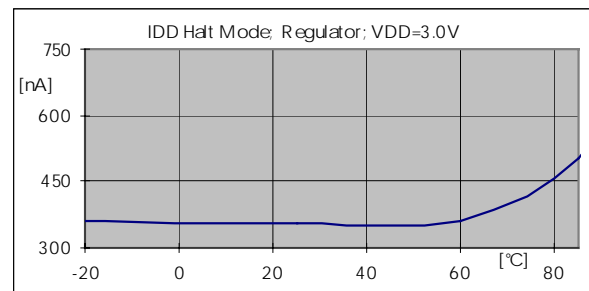
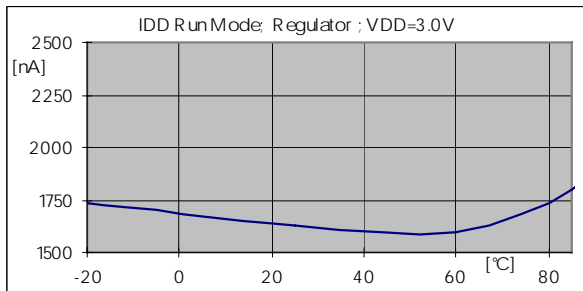
Note1: For current measurement typical quartz described in Operating Conditions is used.

All I/O pins without internal Pull Up/Down are pulled to Vdd externally.

Note2: Test loop with successive writing and reading of two different addresses with an inverted values (five instructions should be reserved for this measurement),

Note3: NOT tested if delivered in chip form.

Note4: Test conditions for ACTIVE and STANDBY Supply current mode are: Qin = external square wave, from rail to rail of Vreg (regulated voltage) with 100nF capacitor on Vreg. fQin = 33kHz.



16.5 DC characteristics - Input/Output Pins

Vdd=1.5V / 3.0V, -20°C < T < 85°C (unless otherwise specified)

Parameter	Conditions	Symb.	Min.	Typ.	Max.	Unit
Input Low voltage I/O ports A,B,C,D TEST Reset Qin (Note5)	Pin at hi-impedance	VIL	Vss		0.3VDD	V
			Vss		0.3VDD	V
			Vss		0.3VDD	V
			Vss		0.3Vreg	V
Input High voltage I/O ports A,B,C,D TEST Reset Qin (Note5)	Pin at hi-impedance	VIH	0.7VDD		VDD	V
			0.7VDD		VDD	V
			0.7VDD		VDD	V
			0.9Vreg		Vreg	V
Output Low Current Port B Port C,D, STRB/RST	VOL = 0.3V, VDD = 1.5V	IOL	1.5	2.0		mA
			600	800		μA
Output Low Current Port B Port C, STRB/RST Port D	VOL = 0.4V, VDD = 3.0V	IOL	10.0	13.0		mA
			1.0	1.35		mA
			1.0	1.50		mA



V_{dd}=1.5V / 3.0V, -20°C <T<85°C (unless otherwise specified)

Parameter	Conditions	Symb.	Min.	Typ.	Max.	Unit
Output High Current Port B Port C, STRB/RST Port D	VOH = 1.2V, VDD = 1.5V	IOH	1.5 400 400	1.9 700 1000		mA μA μA
Output High Current Port B Port C, STRB/RST Port D	VOH = 2.5V, VDD = 3.0V	IOH	8.0 1.0 1.0	12.5 1.50 1.70		mA mA mA
Input pull-down I/O ports A,B,C,D (option) Reset Test	Pin at VDD = 1.5V	Rin	50 50 8	150 115 15	350 250 40	kΩ kΩ kΩ
Input pull-down I/O ports A,B,C,D (option) Reset Test	Pin at VDD = 3.0V	Rin	50 50 8	200 115 15	600 250 40	kΩ kΩ kΩ
Input pull-Up I/O ports A,B,C,D (option)	Pin at VDD = 1.5V	Rin	400	650	1200	kΩ
Input pull-Up I/O ports A,B,C,D (option)	Pin at VDD = 3.0V	Rin	100	200	400	kΩ

Note 5: Qout is used only with quartz

16.6 DC characteristics - Supply Voltage Detector Levels

T= +25°C (unless otherwise specified)

1.3V < VL1 < VL2 < VL3 < 3.0V (VL1 > 1.3V, VL2 > 1.8V, VL3 > 2.0V)

Parameter	Conditions	Symb.	Min.	Typ.	Max.	Unit
Supply Voltage Detector SVLD lev3 SVLD lev2 SVLD lev1		VL3 VL2 VL1	0.92 x VL3 0.92 x VL2 0.92 x VL1	VL3 VL2 VL1	1.08 x VL3 1.08 x VL2 1.08 x VL1	V V V
Supply Voltage Detector SVLD lev3 SVLD lev2 SVLD lev1	0°C...+65°C	VL3 VL2 VL1	0.90 x VL3 0.90 x VL2 0.90 x VL1	VL3 VL2 VL1	1.10 x VL3 1.10 x VL2 1.10 x VL1	V V V
SVLD current consumption when activated	1.5V<VDD<3V	ISVLD		3.0		μA

SVLD typical level values must be selected with a precision of 100 mV.



16.7 Oscillator

1.2V < V_{dd} < 3.0V, T = +25°C (unless otherwise specified)

Parameter	Conditions	Symb.	Min.	Typ.	Max.	Unit
Temperature stability	15 - 35 °C	Df / f * DT			0,3 ppm	1/°C
Voltage stability	1,4 - 1,6 V	Df / f * DU			5 ppm	1/V
Input capacitor		C _{Qin}	5,6	7	10.0	pF
Output capacitor		C _{Qout}	12,1	14	20.0	pF
Q _{in} to Q _{out} impedance on PCB		R _{Qin} /Q _{out}	5	10		MΩ
Transconductance		G _m	2.5		15.0	μA/V
Oscillator Start voltage	T _{start} < 10 s	U _{start}	1,2			V
Oscillator start time	V _{dd} > 1.2V	t _{dosc}		1.5	10	s
System start time (oscillator+cold start reset)	V _{dd} > 1.2V	t _{dsys}		2.5	11	s
Oscillation detector frequency	V _{dd} > 1.5V & V _{dd} < 3.0V	f _{OD}		4.0	12	kHz

16.8 Input Timing characteristics

1.5V < V_{dd} < 3.0V, -20°C < T < 85°C (unless otherwise specified)

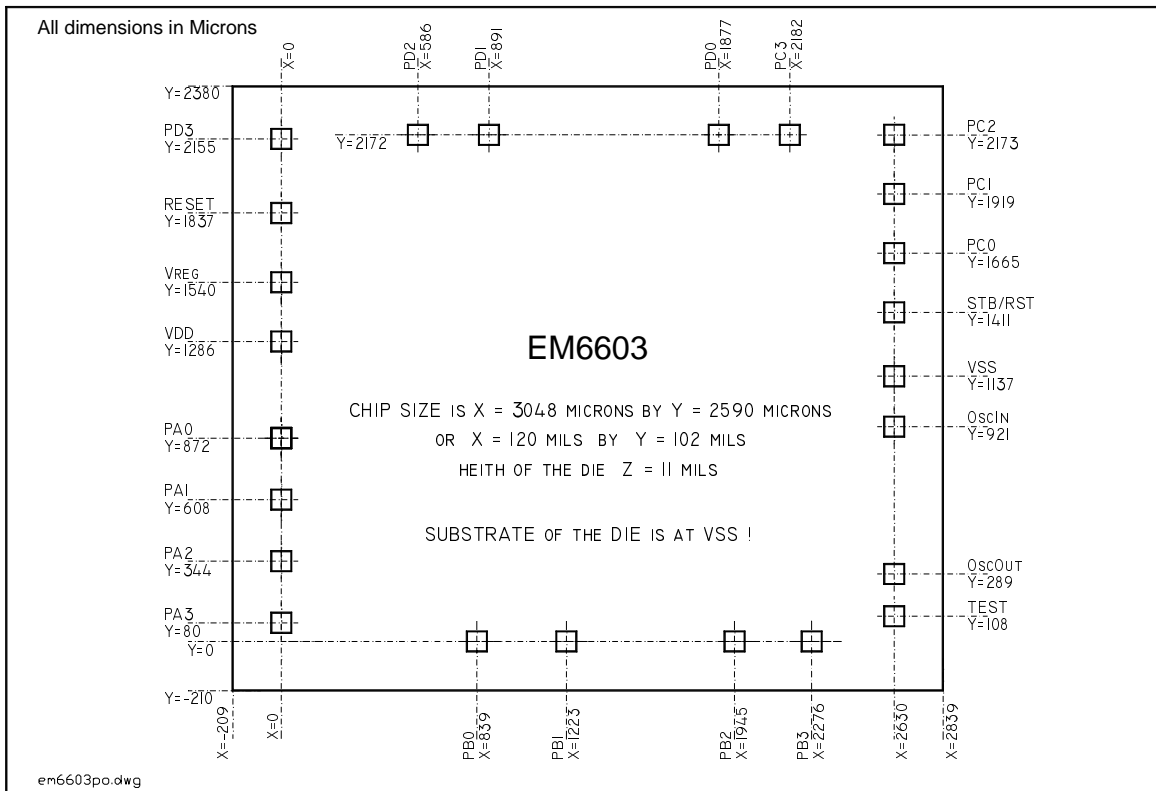
Parameter	Conditions	Symb.	Min.	Unit
RESET pulse length to exit SLEEP mode	RESET from SLEEP	t _{RESsl}	2	μs
RESET pulse length (debounced) PortA , C pulse length (debounced)	DebCK = 0	t _{deb0}	2	ms
RESET pulse length (debounced) PortA , C pulse length (debounced)	DebCK = 1	t _{deb1}	16	ms
RESET pulse length (debounced) PortA , C pulse length (debounced)	DebCK = 1	t _{deb1}	16	ms

VISUAL control on wafer:

AQL = 0.4% for all visual defects.

17 Pad Location Diagram

Figure 15. EM6603 PAD Location Diagram



18 Package and Ordering Information

Figure 16. Dimensions of PDIP24 Package - Package type "A"

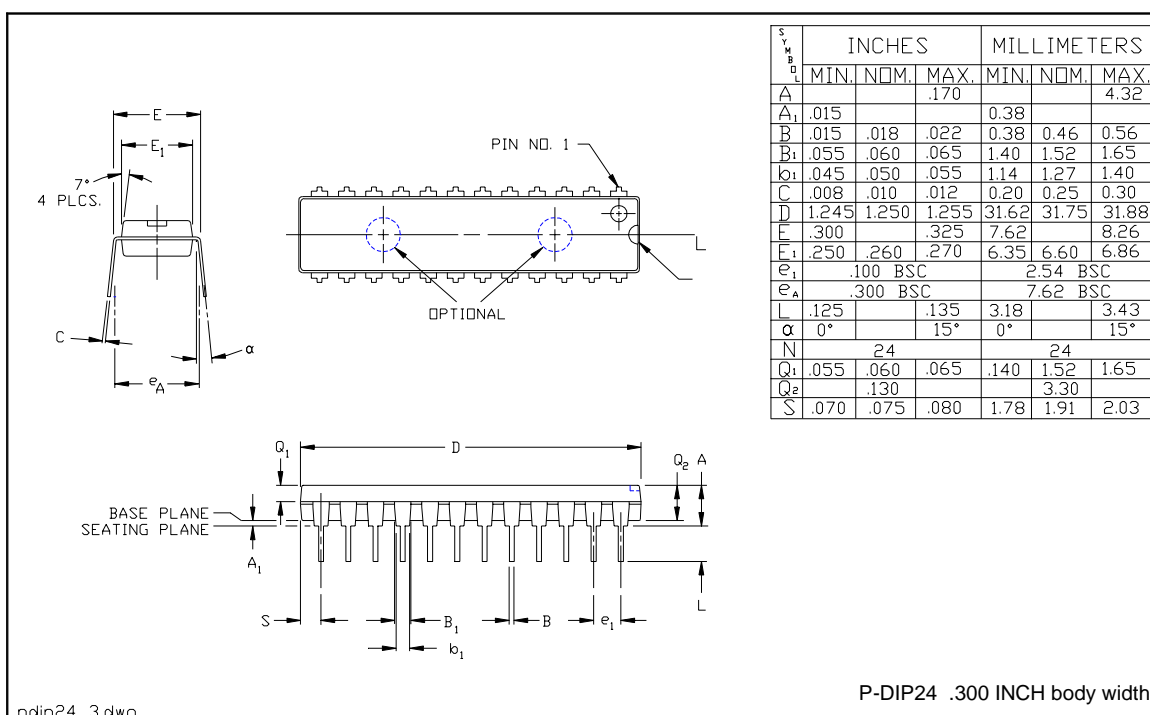


Figure 17. Dimensions of TSSOP24 Package - Package type "F"

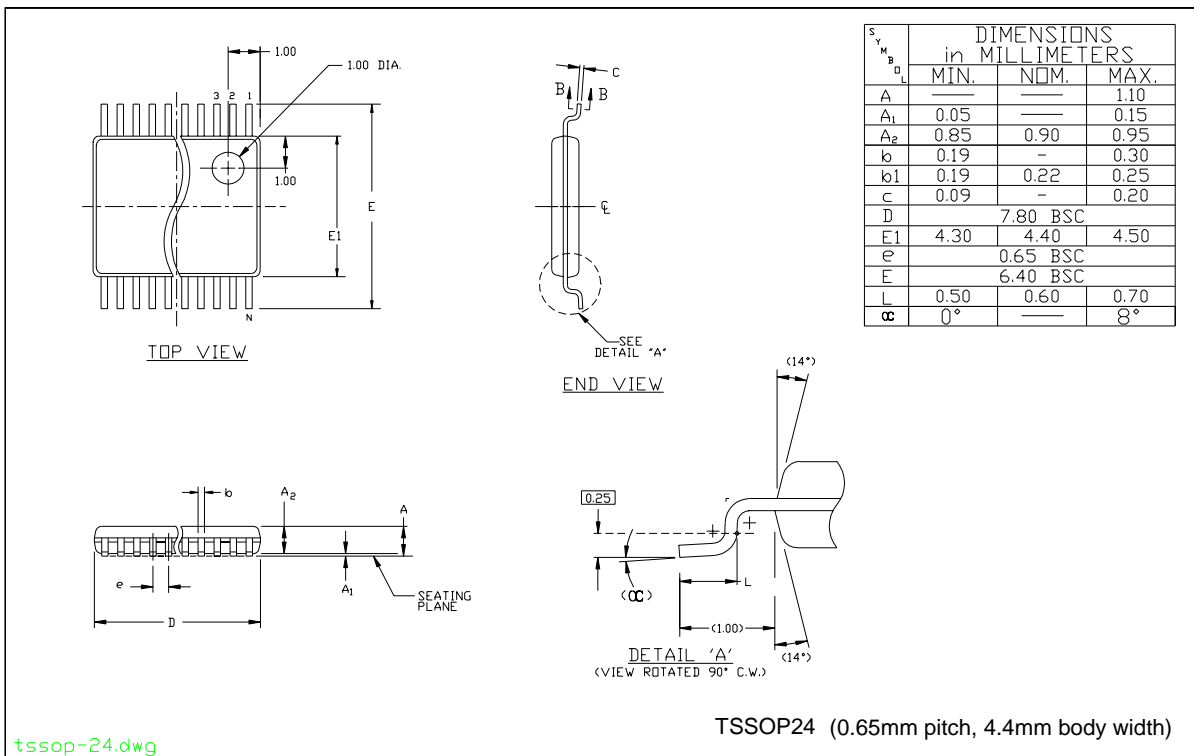
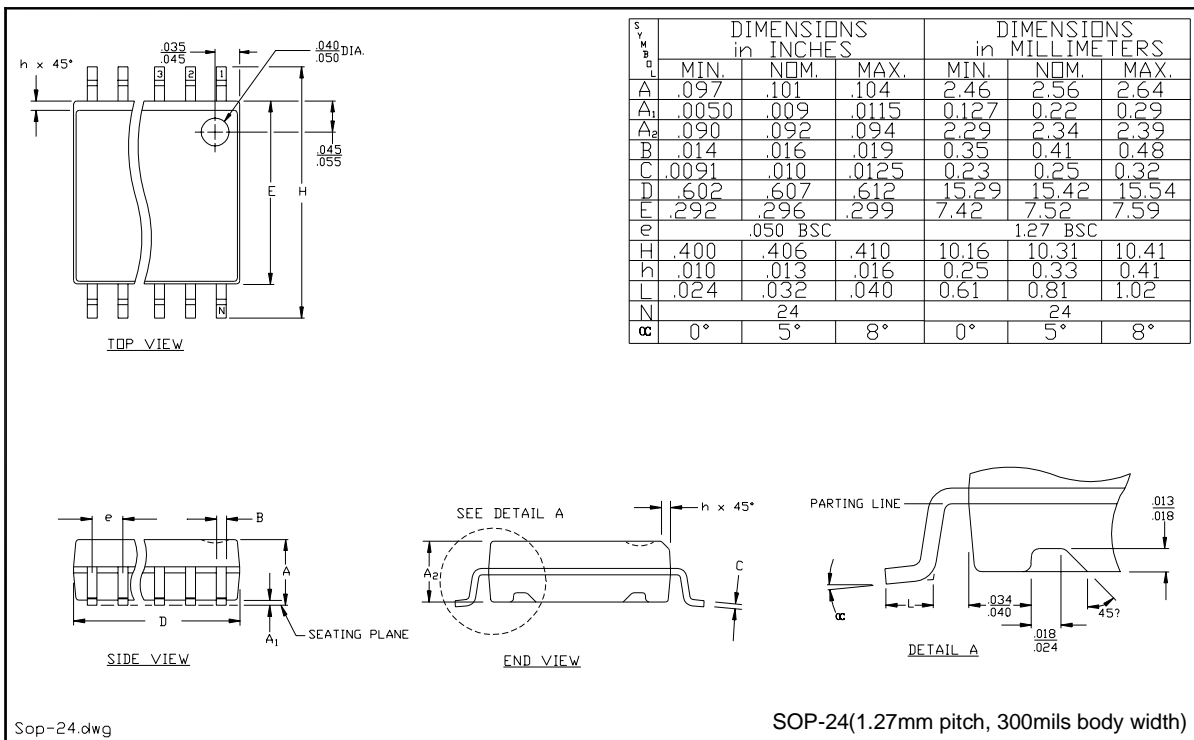


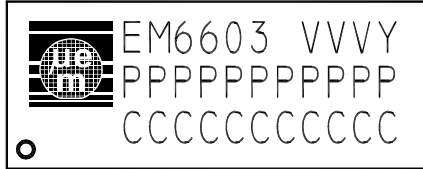
Figure 18. Dimensions of SOP24 Package SOIC – Package type "B"





18.1 CHIP marking :

DIP and SOIC marking



TSSOP marking



- VVV** - Version number given by EM Microelectronic Marin
- Y** - Year of assembly
- PP.P** - Production identification of EM Microelectronic Marin
- CC.C** - Customer marking selected by customer

18.2 CUSTOMER marking :

There are **11** digits available for customer marking on **DIP24** and **SOIC24**.
 There are **6** digits available for customer marking on **TSSOP24**.

18.3 ORDERING information :

18.3.1 Ordering information for packaged device

EM6603 VVV P F

VVV = version - project specific given from EM Marin to customer

- | | |
|--------------------------------------|--|
| P is for Package type: | F is for Delivery Form |
| A = PDIP | A = Stick - (for package A,B or F) |
| B = SOIC | B = EIA Reel - (for package B only) |
| F = TSSOP | |

18.3.2 Ordering information for DIE form

EM6603 VVV DF Th B

VVV = version - project specific given from EM Marin to customer

- | | |
|----------------------------------|--|
| DF is for Die Form | Th is for Thickness |
| WA = Wafer | 08 = 8 mils (203µm) |
| SW = Sawn Wafer/frame | 11 = 11 mils (280µm) (standard if backlapped) |
| WP = Waffle Pack | 15 = 15 mils (380µm) |
| ST = Sticky Tape | 21 = 21 mils (533µm) |
| B is for Bumps | 27 = 27 mils (686µm, not backlapped) |
| A = Without Bumps | |
| B = With Bumps | |

Please contact EM headquarters or your local EM office for any other detail.



19 SPECIFICATION change

date Version	Chapter (page)	old text	new text
9/11/99 ver.2.2	All		<i>New specifications (paper format only)</i>
27/6/97 B/151	All	Version 2.2	<i>B/151 new version in Doc Control</i>
27/6/97 B/151	All	New pagination & new table nb.	
27/6/97 B/151	(1,2) 16.4(30,31)	typical 2.7µA active mode typical 0.3µA standby mode	typical 1.8µA active mode typical 0.35µA standby mode
27/6/97 B/151	(4) 2 (5)		For Vdd less then 1.4V it is recommended that Vdd is connected directly to Vreg For Vdd>1.8V then the configuration shown in Fig.3 should be used.
27/6/97 B/151	6 (9)		Table 10 option register – Option <i>new table and text describing option register</i>
27/6/97 B/151	6.4 (11)		<i>below Figure 7. PortB new explanation of mask options</i>
27/6/97 B/151	6.6 (13)		<i>below Figure 8. PortC new explanation of mask options</i>
27/6/97 B/151	8 (16)		<i>First paragraph changed due to new counter feature added – PA3 clk source (debounced or not, Rising/Falling)</i>
27/6/97 B/151	8 (16)	PA3 input terminal	PA3 input terminal (see tables 28 and 29) <i>added in Table 24. Timer clock selection</i>
27/6/97 B/151	8.1 (17)		Table 28 PA3 counter input selection – PA3cnt Table 29 PA3 counter input selection <i>new tables describing PA3cnt register</i> Figure 10 Timer/Event Counter adapted
27/6/97 B/151	9.1 (19)		<i>new description below Figure 11 Interrupt Request generation</i>
27/6/97 B/151	10 (20)		<i>new formulation and more precise explanation of SVLD (no functional change)</i>
27/6/97 B/151	11 (22)		Figure 12. Serial write buffer <i>1024 Hz input added in MUX</i>
27/6/97 B/151	11.1 (23)		<i>New explanation of SWB concerning length and IRQ</i>
27/6/97 B/151	11.2 (25)		<i>New explanation of SWB in interactive mode</i>
27/6/97 B/151	14 (27)		<i>New explanation of Metal mask options below Table 40 Input/output Ports</i>
27/6/97 B/151	14 (27)	Table 39 Watchdog metal option	<i>Removed (software controlled)</i>
27/6/97 B/151	15 (28)		<i>New register PA3cnt at address 65 hex</i>
27/6/97 B/151	16.2 (30)	VDD	VDD_range 1 / +1.4 ..+3.6V VDD_range 2 (Vreg=VDD) / +1.2 ..+1.8V
27/6/97 B/151	16.2 (30)	VDD	VDD_range 1 / +1.4 ..+3.6V VDD_range 2 (Vreg=VDD) / +1.2 ..+1.8V
27/6/97 B/151	16.5 (31)	VOL = f(IOL ,Vdd), VOH = f(IOH ,Vdd),	<i>New way of specifying</i> IOL = f(VOL ,Vdd), IOH = f(VOH ,Vdd),
27/6/97 B/151	16.5 (32)	<i>Input Pull-Up/Down resistor expressed by currents</i>	<i>New way of specifying Resistors [kΩ] instead with currents</i>
27/6/97 B/151	16.6 (32)	<i>Absolute SVLD levels 2.50V, 2.00V, 1.25V</i>	<i>New relative way of specifying SVLD precision and range for 3 levels ± x%</i>
27/6/97 B/151	16.7 (33)	Max CQin 8.5 pf Max CQout 15.9 pf	Max CQin 10.0 pf Max CQout 20.0 pf



date Version	Chapter (page)	old text	new text
27/8/99 C/242	All	B/151	<i>C/242 new version in Doc. Control</i>
27/8/99 C/242	(1)	2.0 to 5.5 V	<i>Removed 2.0 to 5.5 V</i>
27/8/99 C/242	(1)	Internal interrupt sources (timer, event counter, prescaler)	Internal interrupt sources (timer, event counter, prescaler, SWB)
27/8/99 C/242	(2)	4 external interrupt sources from PortA	8 external interrupt sources: 4 from PortA and 4 from PortC
27/8/99 C/242	(4)	For EM test purpose only	For EM test purpose only (internal pull-down)
27/8/99 C/242	(4)	<i>In Table 1 Pin Number 22</i>	Active high (internal pull-down)
27/8/99 C/242	(4)	<i>In Table 1 Pin Number 23</i>	Needs typ. 100nF capacitor tw. Vss
27/8/99 C/242	2 (5)		<i>Added at the bottom of the page</i> *registers are marked in bold and underlined like <u>IntRg</u> *Bits/Flags in registers are marked in bold only like SLEEP
27/8/99 C/242	All		<i>New register and Bits/Flags marking (see line above)</i>
27/8/99 C/242	6 (9)	Pull-down	Pull-Up/Down
27/8/99 C/242	6 (9)	(option 2 on Fig 6 and Fig 8)	(option 3 on Fig 6 and Fig 8)
27/8/99 C/242	6.7 (14)	The input line can be pulled down (...	The input line can be pulled Up/Down (...
27/8/99 C/242	8.1 (17)		Fout / 0 / R/W / System freq. Output on STB/RST pad <i>Added in Table 28. PA3 counter input ...</i>
27/8/99 C/242	9 (18)	IntTim and INTPR flags are cleared ..	INTTE and INTPR flags are cleared ...
27/8/99 C/242	11. (23:25)		<i>New explanation of SWB to be as close as possible to other EM66XX (no functional change)</i>
27/8/99 C/242	14 (27)	<i>Column 2 & 3 in Table 40 Input/Output Ports</i>	<i>removed</i> Column 2 & 3 in Table 40 Input/Output Ports ... and notes *3, *4, *5
27/8/99 C/242	15 (28)		Fout / Frequency selector on STB/RST <i>Added in Register PA3cnt</i>
27/8/99 C/242	16.1 (30)	<i>Max. Supply voltage +5.5V</i>	<i>Max. Supply voltage +3.6V</i>
27/8/99 C/242	16.7 (33)		Qin to Qout impedance on PCB min 5 MΩ, typ 10 MΩ
27/8/99 C/242	17 (34)	17 Package and ordering information	<i>New chapter: 17 Pad location diagram. New Figure 15.</i>
27/8/99 C/242	18 (34,35)		18 Package and ordering information <i>New figure 16, 17, 18</i>
27/8/99 C/242	18.1 (36)		18.1 CHIP marking – <i>new description</i>
27/8/99 C/242	18.2 (36)		18.2 CUSTOMER marking – <i>new</i>
27/8/99 C/242	18.3 (36)		18.3 ORDERING information – <i>new</i>
27/8/99 C/242	19 (37,38)		19 Spec Update - <i>new</i>
21/6/00 D/295	34	VddCA, Vbat (in Figure 15.)	Vreg, VDD
21/6/00 D/295	34	(in Figure 15.)	SUBSTRATE of the DIE is at VSS
21/6/00 D/295	16 (30,31)	IVDDa, IVDDh, IVDDs Max. over temperature change in 16.4 DC characteristics.	16.4. DC Characteristics - Power Supply Pins - new values for IVDDa, IVDDh, IVDDs Max. + 2 graphs IDDr _{un} = f(T) and IDDr _{halt} = f(T).