

SPECIFICATIONS

Electrical Ratings	50mA @ 48VDC
Electrical Life	100,000 cycles typical
Contact Resistance	< 50 mΩ initial
Actuation Force	100 +/- 50gF 160 +/- 30gF 260 +/- 50gF
Actuator Travel	.25 +/- .1mm
Dielectric Strength	1000Vrms min
Insulation Resistance	> 100MΩ min
Operating Temperature	-40°C to 85°C
Storage Temperature	-40°C to 85°C



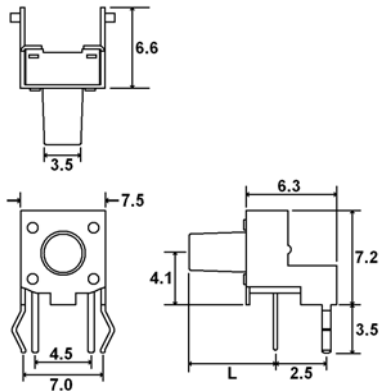
MATERIALS ←RoHS COMPLIANT

Actuator	6/6 Nylon
Housing	6/6 Nylon
Cover	Steel, Tin Plated
Contacts	Phosphor Bronze, Silver Plated
Terminals	Brass, Silver Plated

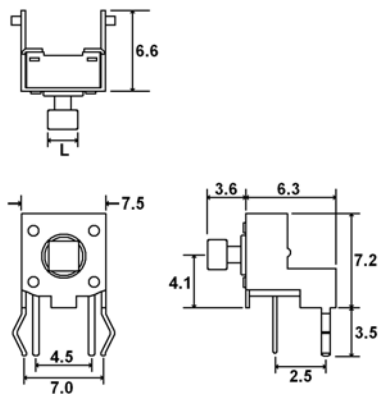
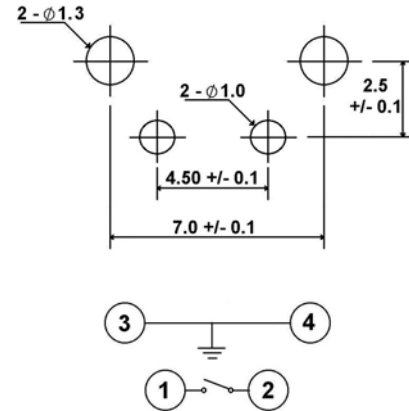
ORDERING INFORMATION

1. Series:	CT1102V	10.35	F100
CT1102V			
2. Actuator Length "L" (mm):			
3.15			
3.85			
5.85			
6.35			
6.85			
8.35			
9.85			
10.35			
10.85			
11.85			
13.35			
13.85			
15.85			
S2.4 Square actuator head			
S2.8 Square actuator head			
3. Actuation Force:			
F100 = 100gF			
F160 = 160gF			
F260 = 260gF			
4. Cap Options:	Cap Colors:		
Blank = No Cap			
C01	** See Cap Options for color availability		
C02	** Caps available with S2.8 actuator only		
C03			
C04			
C05			

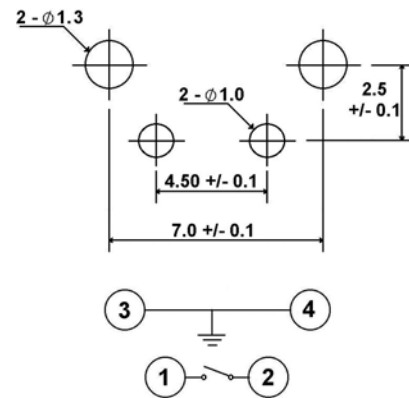
DIMENSIONS






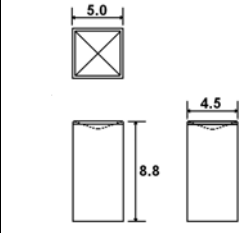
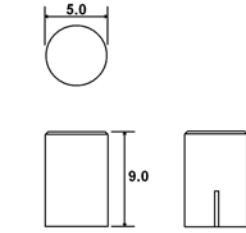
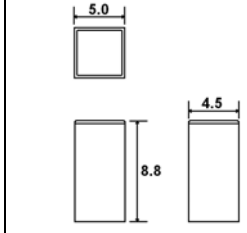
Part Number	"L" (mm)
CT1102V3.15	3.15
CT1102V3.85	3.85
CT1102V5.85	5.85
CT1102V6.35	6.35
CT1102V6.85	6.85
CT1102V8.35	8.35
CT1102V9.85	9.85
CT1102V10.35	10.35
CT1102V10.85	10.85
CT1102V11.85	11.85
CT1102V13.35	13.35
CT1102V13.85	13.85
CT1102V15.85	15.85



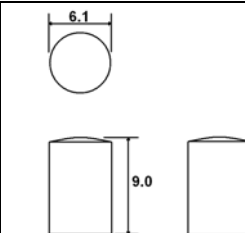
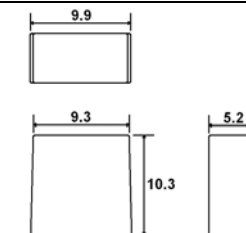


Part Number	"□" (mm)
CT1102S2.4	2.4
CT1102S2.8	2.8



CAP OPTIONS

		
		
<p>C01_ 1 = White, 2 = Black, 3 = Red, 9 = Light Gray Contact Factory for other available colors</p>	<p>C02_ 1 = White, 2 = Black, 3 = Red, 9 = Light Gray Contact Factory for other available colors</p>	<p>C03_ 1 = White, 2 = Black, 3 = Red, 9 = Light Gray Contact Factory for other available colors</p>

	
	
<p>C04_ 1 = White, 2 = Black, 3 = Red, 9 = Light Gray Contact Factory for other available colors</p>	<p>C05_ 1 = White, 2 = Black, 3 = Red, 9 = Light Gray Contact Factory for other available colors</p>