

A23a

DIN 41612 IDC TYPE DUAL ROW (A+B)

PITCH: 2.54mm

SPECIFICATIONS

Material

Insulator : PBT, glass reinforced, rated UL 94V-0

Contact : Phosphor Bronze

Electrical

Current Rating : 1 Amp DC

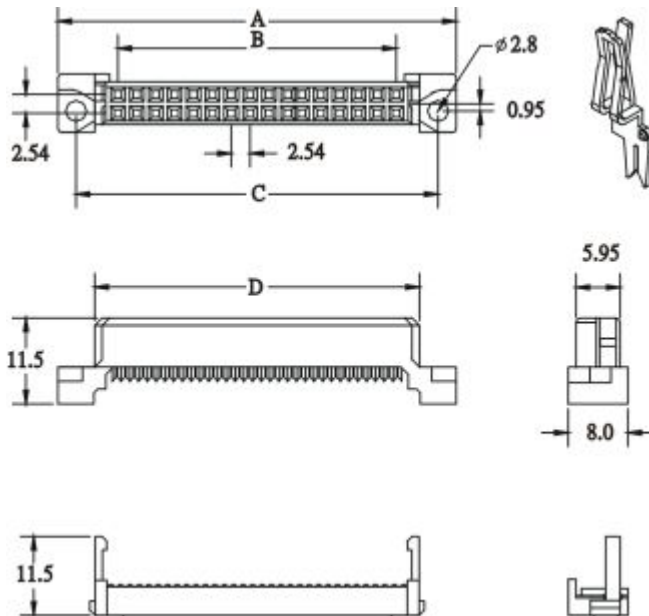
Contact Resistance : 30 mΩ max.

Insulation Resistance : 3000 MΩ min.

Dielectric Withstanding Voltage : 500V AC for 1minute

Operating Temperature : -40°C to +105°C

- Terminated with 1.27mm pitch flat ribbon cable.
- Mating Suggestion : D13 series.



POSITION	A	B	C	D
32(A+B)	55	38.10	50	44.4
64(A+B)	95	78.74	90	85.0

HOW TO ORDER:

A23a - 1 - 2 - 3 - 4 - 5

1.NO. OF CONTACT	2.CONTACT TYPE	3.CONTACT MATERIAL	4.CONTACT PLATING	5.INSULATOR COLOR
32 64	F: FEMALE	B: PHOSPHOR BRONZE	T: TIN PLATED S: SELECTIVE G: GOLD FLASH A: 5u" INCH GOLD B: 10u" INCH GOLD C: 15u" INCH GOLD D: 30u" INCH GOLD	2. GREY