



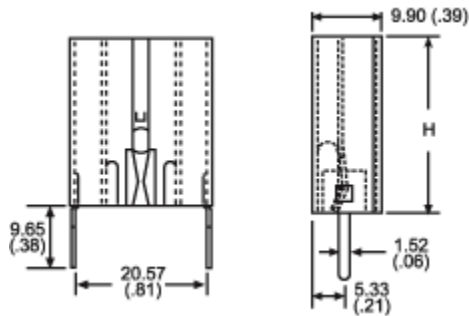
For use with TO-220 packages

574902b03300

VIS#002280



Mechanical Outline Drawing

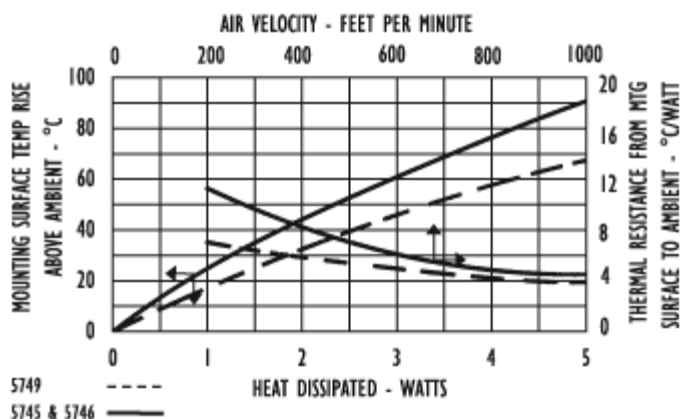


H Dim 34.93 (1.375)

<b>Thermal Resistance</b>	16.0
---------------------------	------

Thermal resistance value is based on a 75°C rise in natural convection

## Thermal Curves



## Product Information

12 Digit Part #	Description	Finish	Board Mounting
574902b03300	For Vertical mounting (Tab 33)	Black Anodize	<a href="#">View Hole Dimensions</a>

### Not Exactly what you need?

We offer several options for those applications which require a more unique solution. For slight modifications of this part or other attachment options, finishes, and interface materials, contact your [local representative](#). Challenge us with your thermal requirements - we can design custom solutions.

For technical help with our Standard Products,  
 please call (603) 223-1921, or contact your local Manufacturer's Rep  
 Email: [info@aavid.com](mailto:info@aavid.com)

Visit us at [www.aavidthermalloy.com](http://www.aavidthermalloy.com) • ©2002 Aavid Thermalloy, LLC