

**Cascadable Amplifier
5 to 250 MHz**

A75-2/ SMA75-2

V2

Features

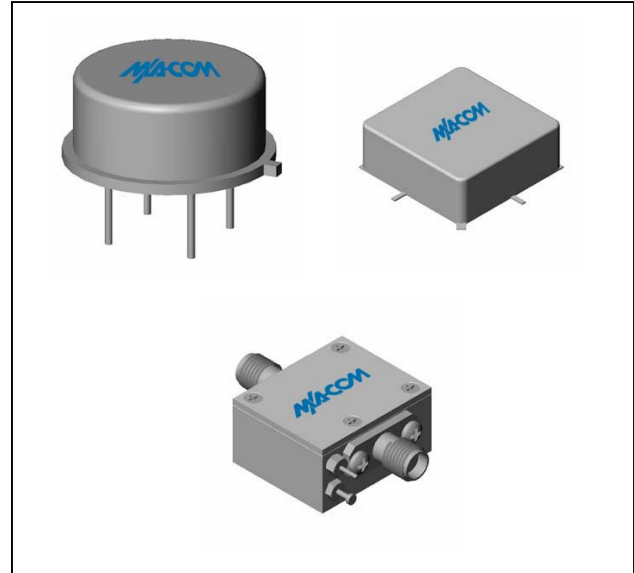
- AVAILABLE IN SURFACE MOUNT
- HIGH GAIN: 21.0 dB (TYP.)
- MEDIUM OUTPUT LEVEL: +8.0 dBm (TYP.)

Description

The A75-2 RF amplifier is a discrete hybrid design, which uses thin film manufacturing processes for accurate performance and high reliability.

This single stage bipolar transistor feedback amplifier design displays impressive performance over a broadband frequency range. Both TO-8 and Surface Mount packages are Hermetically sealed, and MIL-STD-883 environmental screening is available.

Product Image



Ordering Information

Part Number	Package
A75-2	TO-8
SMA75-2	Surface Mount
CA75-2	SMA Connectorized

Electrical Specifications: $Z_0 = 50\Omega$, $V_{CC} = +15 V_{DC}$

Parameter	Units	Typical	Guaranteed	
		25°C	0° to 50°C	-54° to +85°C*
Frequency	MHz	1-300	5-250	5-250
Small Signal Gain (min)	dB	21.0	20.0	19.0
Gain Flatness (max)	dB	±0.3	±0.7	±1.0
Reverse Isolation	dB	28		
Noise Figure (max)	dB	4.2	4.5	5.0
Power Output @ 1 dB comp. (min)	dBm	8.0	7.0	6.5
IP3	dBm	+19		
IP2	dBm	+26		
Second Order Harmonic IP	dBm	+30		
VSWR Input / Output (max)		1.4:1 / 1.4:1	1.7:1 / 1.7:1	2.0:1 / 2.0:1
DC Current @ 15 Volts (max)	mA	24	26	28

Absolute Maximum Ratings

Parameter	Absolute Maximum
Storage Temperature	-62°C to +125°C
Case Temperature	125°C
DC Voltage	+17 V
Continuous Input Power	+13 dBm
Short Term Input power (1 minute max.)	50 mW
Peak Power (3 µsec max.)	0.5 W
"S" Series Burn-In Temperature (case)	125°C

Thermal Data: $V_{CC} = +15 V_{DC}$

Parameter	Rating
Thermal Resistance θ_{jc}	45°C/W
Transistor Power Dissipation P_d	0.191 W
Junction Temperature Rise Above Case T_{jc}	9°C

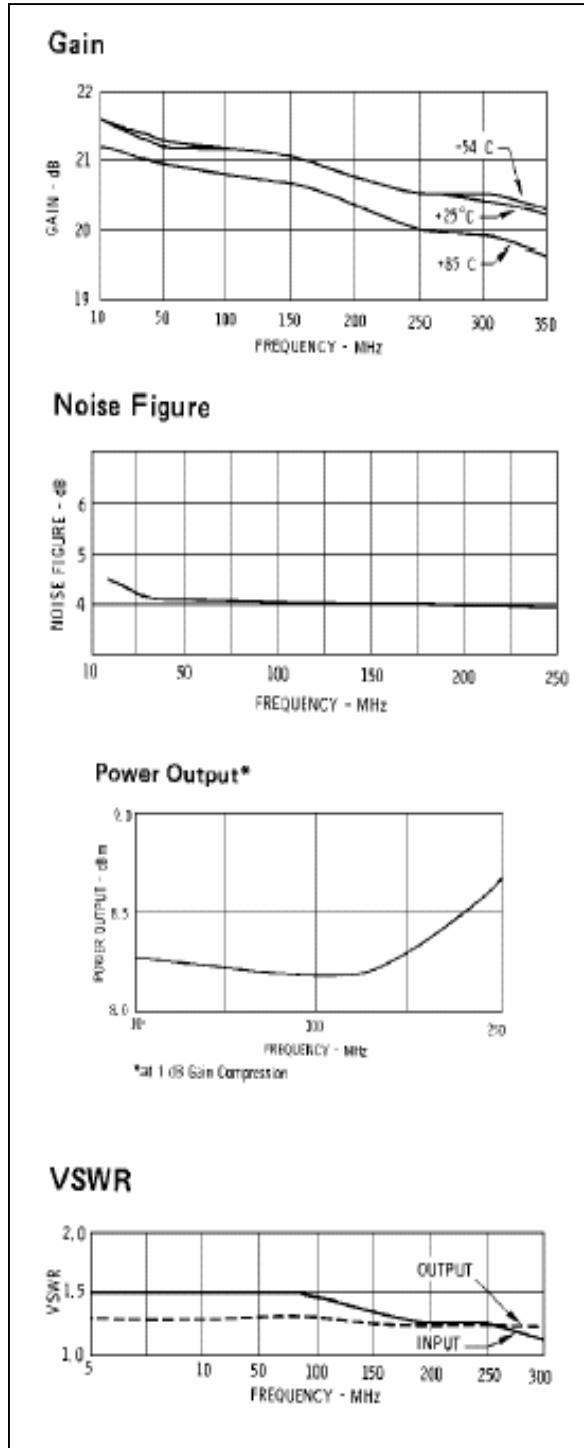
* Over temperature performance limits for part number CA75-2, guaranteed from 0°C to +50°C only.

**Cascadable Amplifier
5 to 250 MHz**

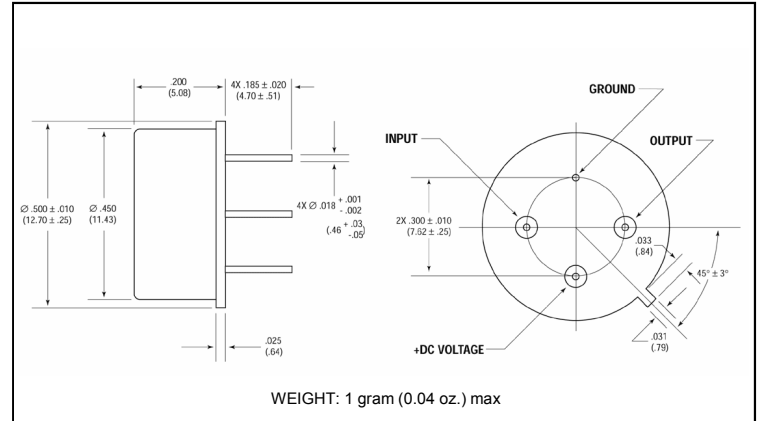
A75-2/ SMA75-2

V2

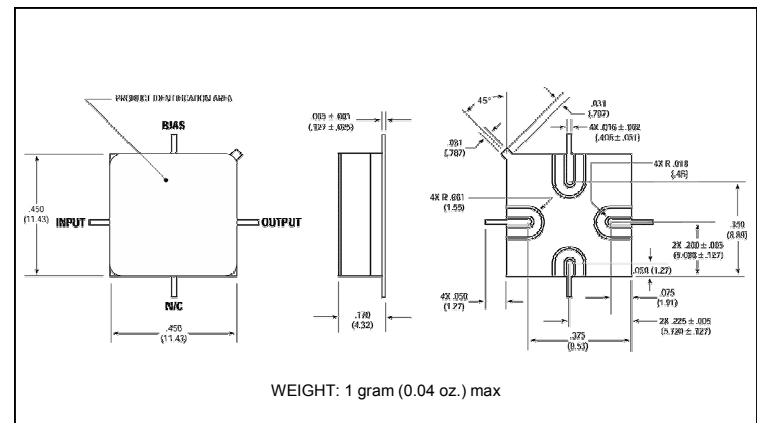
Typical Performance Curves at +25°C



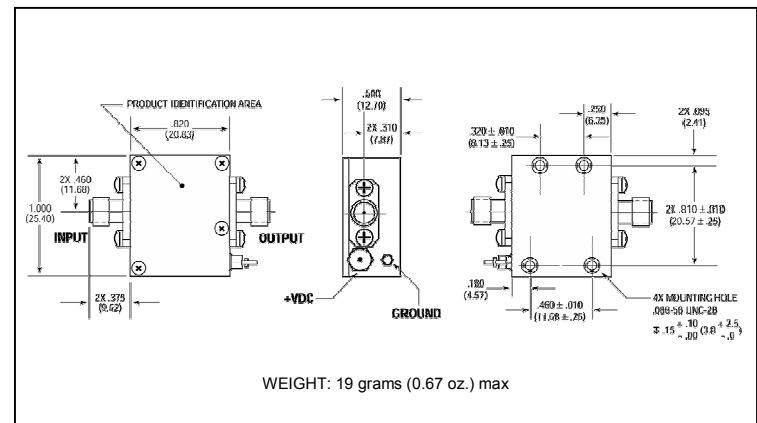
Outline Drawing: TO-8 *



Outline Drawing: Surface Mount *



Outline Drawing: SMA Connectorized *



* Dimensions are inches (millimeters) ±0.015 (0.38) unless otherwise specified.