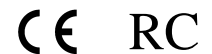


Industrial Power Supply with Power Factor Correction

- Meets EN61000-3-2 (limits for harmonic current emissions) with PFC on 100 to 600 W.
- Suitable for universal usage, conforming to EN50081-1 (Non-PFC models).
- Models range from 100 to 600 W.
- A wide input voltage range: 100 to 240 VAC
- UL, CSA, VDE, and IEC (EN) safety conformance
- EMC conformance
- Three-year guarantee
- Long life expectancy: 10 years min.



Ordering Information

PFC	Output capacity	Output voltage	Output current	Models
No	100 W	5 V	20 A	S82H-10005
		12 V	9 A	S82H-10012
		15 V	7.2 A	S82H-10015
		24 V	4.6 A	S82H-10024
	150 W	5 V	30 A	S82H-15005
		12 V	13.5 A	S82H-15012
		15 V	10 A	S82H-15015
		24 V	7 A	S82H-15024
Yes	100 W	5 V	20 A	S82H-P10005
		12 V	9 A	S82H-P10012
		15 V	7.2 A	S82H-P10015
		24 V	4.6 A	S82H-P10024
	150 W	5 V	30 A	S82H-P15005
		12 V	13.5 A	S82H-P15012
		15 V	10 A	S82H-P15015
		24 V	7 A	S82H-P15024
	300 W	5 V	60 A	S82H-P30005
		12 V	27 A	S82H-P30012
		15 V	20 A	S82H-P30015
		24 V	14 A	S82H-P30024
	600 W	5 V	120 A	S82H-P60005
		12 V	53 A	S82H-P60012
		15 V	40 A	S82H-P60015
		24 V	27 A	S82H-P60024

■ Accessories (Order Separately)

Applicable power supply	Bottom-mounting	Side-mounting	Front-mounting Back-mounting	Fan	Terminal Expansion Bracket
S82H-□100□□	S82Y-H10B	S82Y-H10S	S82Y-H10F	---	---
S82H-□150□□	S82Y-F15B	S82Y-F15S	---	---	---
S82H-P300□□	S82Y-D30B	S82Y-D30S	---	S82Y-DFAN	---
S82H-P600□□	S82Y-D60B	S82Y-D60S	---	S82Y-DFAN	S82Y-D60T

■ Model Number Legend

S82H -

1 2 3

1. Power Factor Correction

None: No

P: Yes

2. Output Capacity

100: 100 W

150: 150 W

300: 300 W

600: 600 W

3. Output Voltage

05: 5 V

12: 12 V

15: 15 V

24: 24 V

Conversion Table

Conventional model	New model
S82H-3005	S82H-10005
S82H-3012	S82H-10012
S82H-3024	S82H-10024
S82F-1512	S82H-15012
S82F-1524	S82H-15024

Specifications

■ Ratings/Characteristics

Item		PFC						
		No		Yes				
		100 W	150 W	100 W	150 W	300 W	600 W	
Efficiency		70% to 86% (depending on the model)						
Life expectancy (see note 1.)		10 years min. in standard installation conditions at 40°C at the rated input with 50% load.						
Input	Voltage	100 to 120 VAC/200 to 240 VAC (selectable) (85 to 132 VAC/170 to 264 VAC)			100 to 240 VAC (85 to 264 VAC)			
	Frequency	47 to 450 Hz			47 to 63 Hz			
	Current	at 100-V input	2.5 A max.	4 A max.	1.7 A max.	2.5 A max.	5 A max.	10 A max.
		at 200-V input	1.5 A max.	2.5 A max.	0.85 A max.	1.3 A max.	2.5 A max.	5 A max.
	Leakage current (See note 2.)	at 100-V input	0.5 mA max.			0.75 mA max.		1 mA max.
		at 200-V input	1 mA max.			1.5 mA max.		2.0 mA max.
	Inrush current (See note 2.)	at 100-V input	25 A max.					
at 200-V input		50 A max.						
Power factor		0.5 to 0.7 (depending on the model)		0.95				
Output	Voltage adjustment range	±10% (adjustable with variable resistor (V.ADJ))						
	Ripple	2% (p-p) max.						
	Input variation influence	0.4 % max. (at 85- to 132-VAC/170- to 264-VAC input, 100% load)						
	Load variation influence	0.8% max. (with rated input voltage, 0 to 100% load)						
	Temperature variation influence	0.05%/°C max. (with rated I/O at an ambient temperature range between 0°C to 50°C)			0.05%/°C max. (with rated I/O at an ambient temperature range between 0°C to 40°C)			
	Rise time	0.8 s max. (Rises up to 90% of the rated voltage under rated input.)			1 s max. (Rises up to 90% of the rated voltage under rated input.)			
	Hold time	20 ms min.						
Additional function	Overload protection	105% max. of rated load current, inverted L drop type, automatic reset				105% max. of rated load current, inverted L drop type, automatic reset (output shut off after 5 s, reset by input reset)		
	Overvoltage protection	120% of rated output voltage (typical), shutoff type, input reset						
	Parallel operation	No	Yes, up to five Units	No	Yes, up to five Units	Yes, up to two Units		
	Series operation	Yes						
	Remote sensing	Yes						
	Remote control	No	Yes	No	Yes			
	Remote voltage adjustment	Yes						
	Cooling method	Natural air-cooling used				Forced air-cooling with built-in fan		
	Fan alarm function	No				Yes		

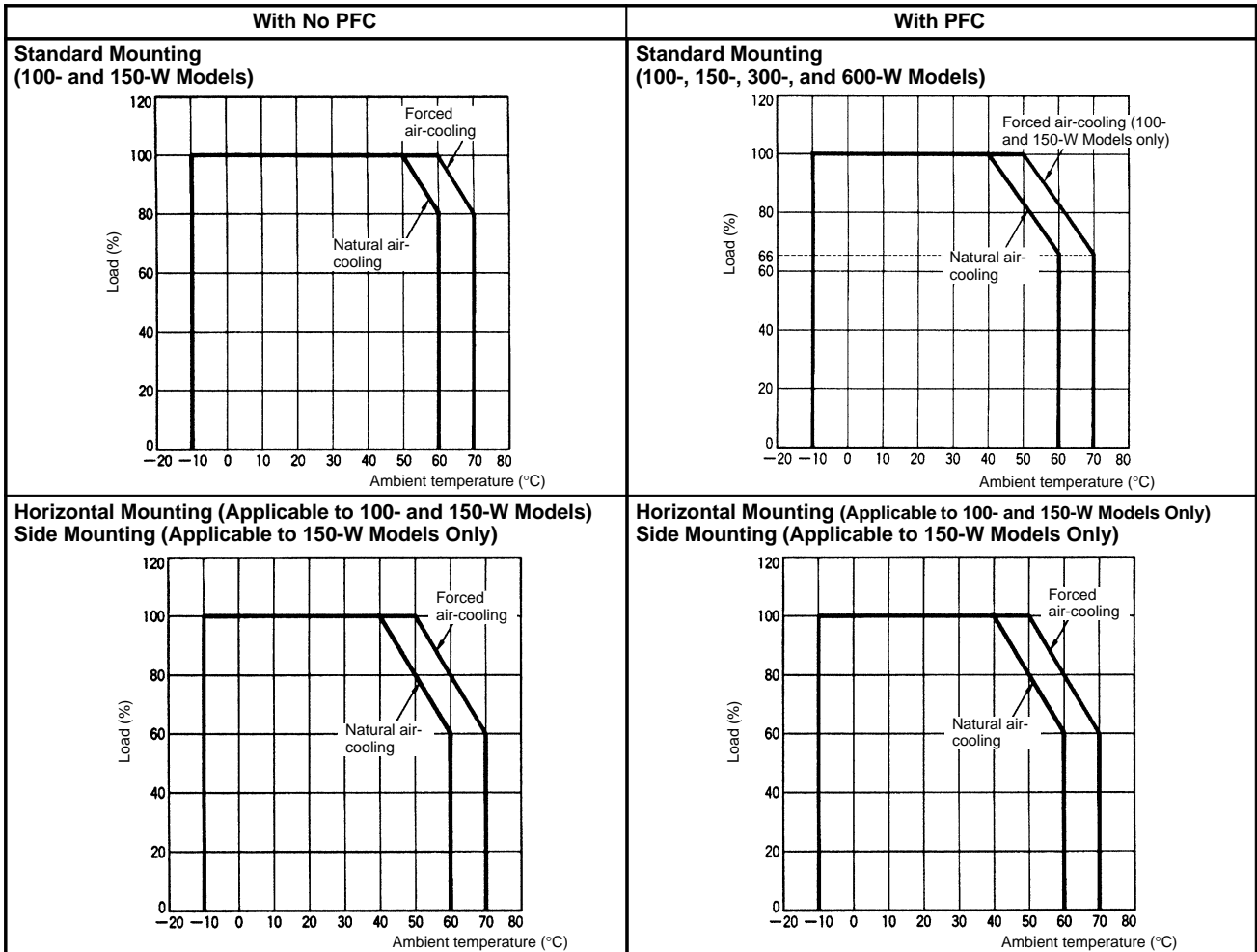
Item	PFC						
	No		Yes				
	100 W	150 W	100 W	150 W	300 W	600 W	
Other	Ambient temperature	Operating: See the derating curve in the "Engineering Data" section. No condensation or icing. Storage: -25°C to 65°C with no condensation or icing					
	Ambient humidity (operating)	25% to 85%					
	Dielectric strength	3 kVAC, 50/60 Hz for 1 min between all inputs and all outputs with a current leakage of 25 mA max. 2.5 kVAC, 50/60 Hz for 1 min between all inputs and GR terminals with a current leakage of 25 mA max. 1.0 kVAC, 50/50 Hz for 1 min between all outputs and GR terminals with a current leakage of 15 mA max. for each 100-W model, 20 mA max. for each 150-W model, 25 mA max. for each 300-W model, and 50 mA max. for each 600-W model. (See note 3.)					
	Insulation resistance	100 MΩ min. between all outputs and all inputs/GR terminals at 500 VDC (See note 3.)					
	Vibration resistance	Malfunction: 10 to 55 Hz, 0.375-mm single amplitude for 2 hrs each in X, Y, and Z directions					
	Shock resistance	Malfunction: 300 m/s ² (approx. 30G), 3 times each in ±X, ±Y, and ±Z directions					
	Output indicator	Yes (green)					
	EMC	Emission Enclosure: EN55011 Group 1 class A (PFC models) EN55022 Group 1 class B (Non-PFC models) Emission AC Mains: EN55011 Group 1 class A (PFC models) EN55022 Group 1 class B (Non-PFC models) Immunity ESD: EN61000-4-2: 4 kV contact discharge (level 2) 8 kV air discharge (level 3) Immunity RF-interference: ENV50140: 10 V/m (10 k to 1 GHz) (level 3) Immunity Conducted Disturbance: ENV50141: 10 V (0.15 to 80 MHz) (level 3) Immunity Burst: EN61000-4-4: 2 kV power-line (level 3) 2 kV I/O signal-line (level 4)					
	Limits for harmonic current emission	---		Conforms to EN61000-3-2, IEC1000-3-2			
	EMC standards	Conforms to EN50081-1, EN50082-2		Conforms to EN50081-2, EN50082-2			
	Electromagnetic interference	Conforms to FCC class B		Conforms to FCC class A			
	Approved standards	UL1012, CSA E.B. 1402C, VDE 0160, IEC 950, EN 60950					
	Weight	950 g max.	1,800 g max.	1,050 g max.	1,850 g max.	3,500 g max.	5,500 g max.

- Note:**
1. The fan is one of the replacement parts.
 2. As defined with the rated input voltage and rated output voltage/current.
 3. A surge absorber is provided for the input circuits of 300 and 600-W models. To test the dielectric strength and insulation resistance of these models, remove the short bar attached across the GR and ACG terminals.

Engineering Data

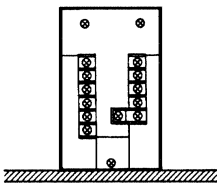
Derating Curve

Units cannot be mounted vertically.

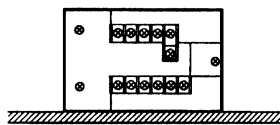


Mounting Position

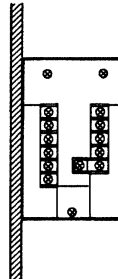
Standard Mounting



Horizontal Mounting (Applicable to 100- and 150-W Models Only)



Side Mounting (Applicable to 150-W Models Only)



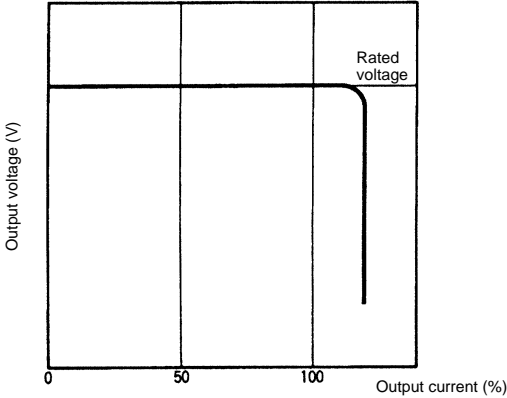
Note: Forced air-cooling must be applied at an minimum air capacity rate of 1 m³/min.

■ Overload Protection

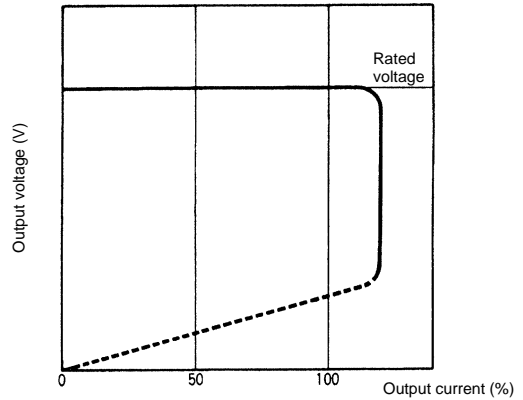
The Power Supply is provided with an overload protection function that protects the load and the power supply from possible damage by overcurrent. When the output current rises above a set value (105% of the rated output current for S82H), the protection function is triggered, decreasing the output voltage. When the output current falls within the rated range, the overload protection function is automatically cleared.

In addition to the protection described in the left column, in the case of the 300- and 600-W models, if the low voltage condition continues for more than 5 s, shut off the output. In this situation, reset is not automatic. The input power must be turned off for at least 1 minute, and then turned on again to reset the Power Supply.

100- and 150-W Models



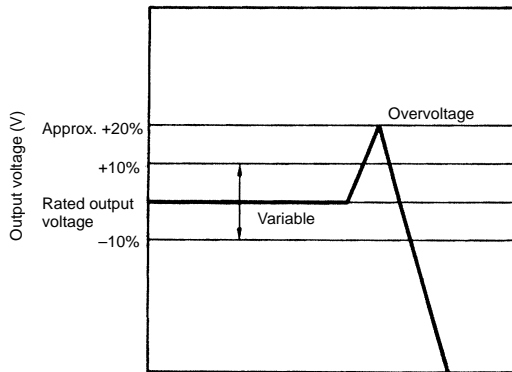
300- and 600-W Models



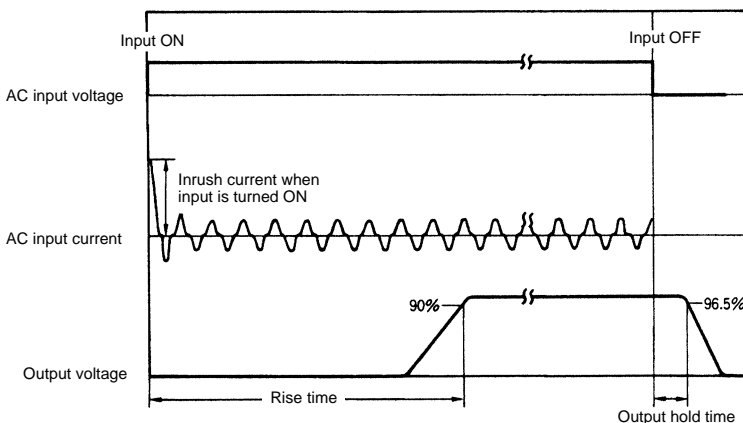
Note: If the product is continuously used under short-circuit or overcurrent conditions, deterioration or damage to internal elements may occur.

■ Overvoltage Protection

The Power Supply is provided with an overvoltage protection function that protects the load and the Power Supply from possible damage by overvoltage. When the output voltage rises above a set value (120% of the rated output voltage), the protection function is triggered, shutting off the output voltage. If this occurs, reset the S82H by turning it off for more than 1 minute and then turning it on again.



■ Inrush Current, Rise Time, Hold Time

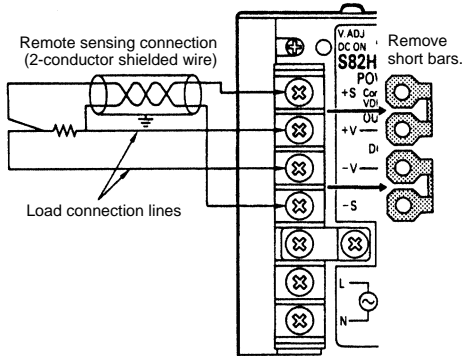


Operation

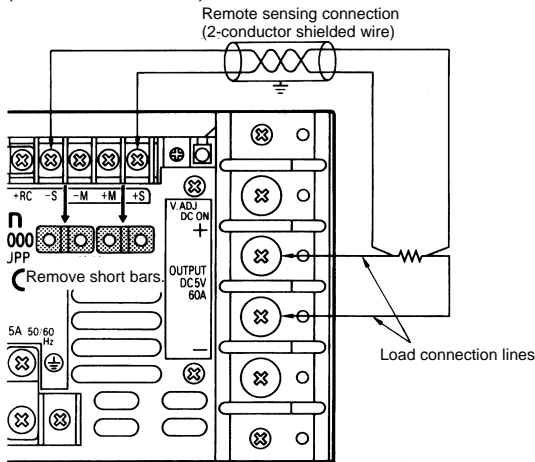
Remote Sensing Function

The remote sensing function makes it possible to compensate for voltage drops caused by load lines. To use this function, remove the short bar from the remote sensing terminals and wire the Power Supply and load as shown in the following illustration. The remote sensing terminals are short-circuited with the short bar before shipping.

(100-/150-W Models)



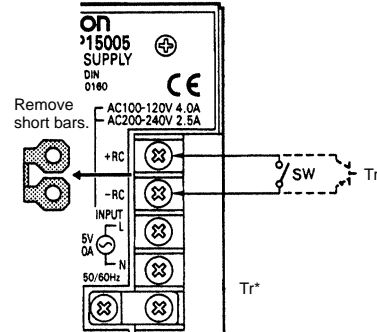
(300-/600-W Models)



- Note:**
1. When the voltage drop in the load wiring is large, the overvoltage protection function might engage just from the increase in voltage to correct the voltage drop, so be sure to use high capacity wiring.
 2. If the remote sensing terminals are left unconnected, the high voltage protection function will engage and the output voltage will be cut off. Be sure to firmly tighten the terminal screws.

Remote Control Function

The remote control function enables external signals to turn the output of the Power Supply ON and OFF. To use this function, remove the short bar from the remote control terminals and connect a switch or transistor to the Power Supply as shown in the following illustration. The remote control terminals are short-circuited with the short bar before shipping.



*Use a transistor with $V_{CE} > 20\text{ V}$ and $I_C > 5\text{ mA}$.

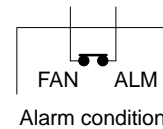
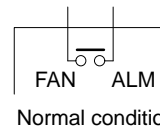
Level	Output voltage
L (0.8 V max.)	ON
H (2 V min.)	OFF

Note: No output will be produced if the terminals are left unconnected. Be sure to firmly tighten the terminal screws.

Fan Alarm Function (300- and 600-W Models Only)

When the speed of the internal fan drops, the fan alarm output (SPST-NO) will turn ON (shorted) and after 5 seconds, the output voltage will be turned off.

The relay contacts must be used with 1 A at 30 V or 1 A (125 VA) at 250 VAC.

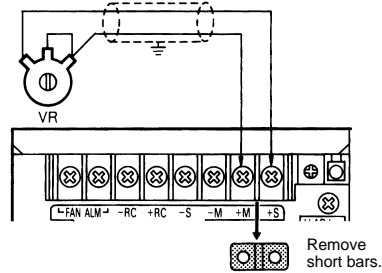
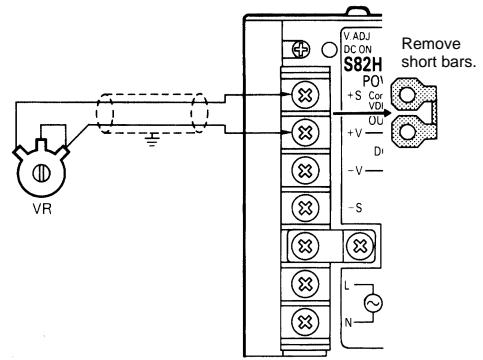


Remote Voltage Adjustment Function

Output voltage can be varied externally by inserting a variable resistor between the +V and +S terminals (+M and +S terminals for 300- and 600-W models) of the remote sensing terminals.

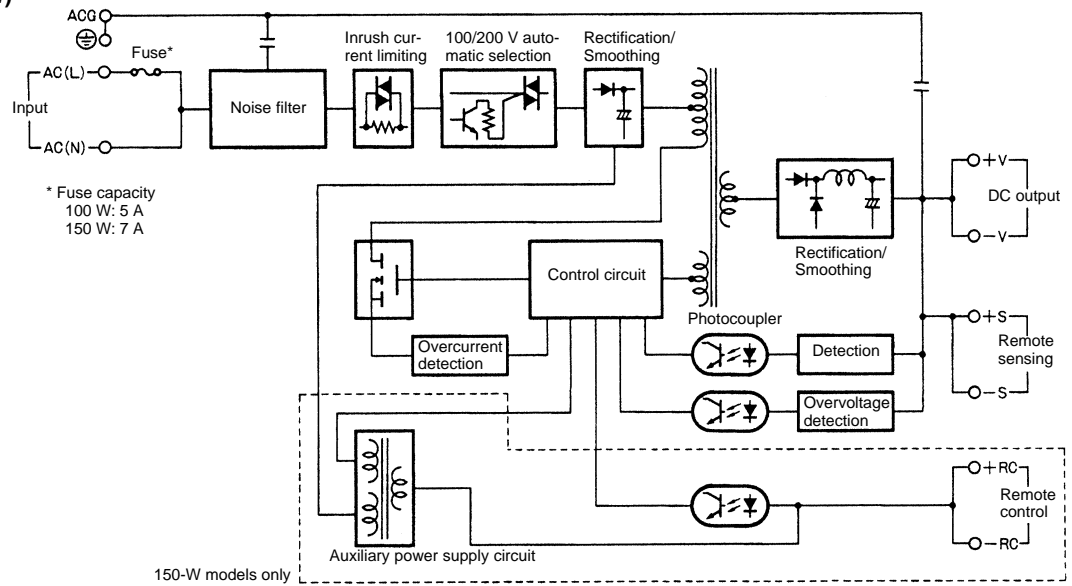
Use a variable resistor with a capacity of 0.5 W min. and ensure the resistances shown in the following table.

Output voltage	Capacity	
	100 W, 150 W	300 W, 600 W
5 VDC	2 kΩ	50 Ω
12 VDC	5 kΩ	
15 VDC	5 kΩ	
24 VDC	10 kΩ	

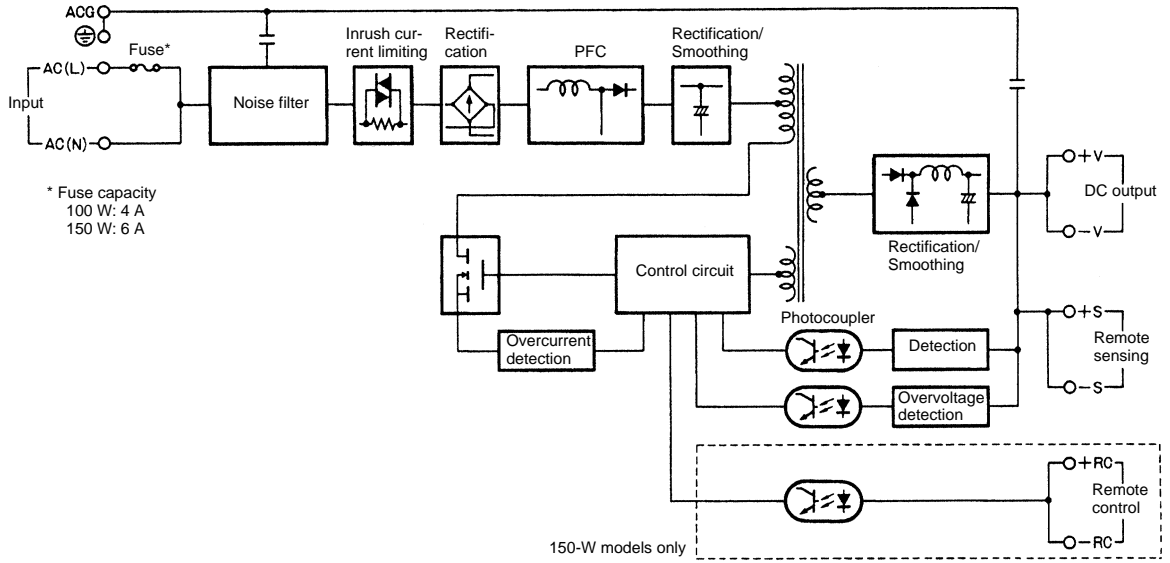


Block Diagrams

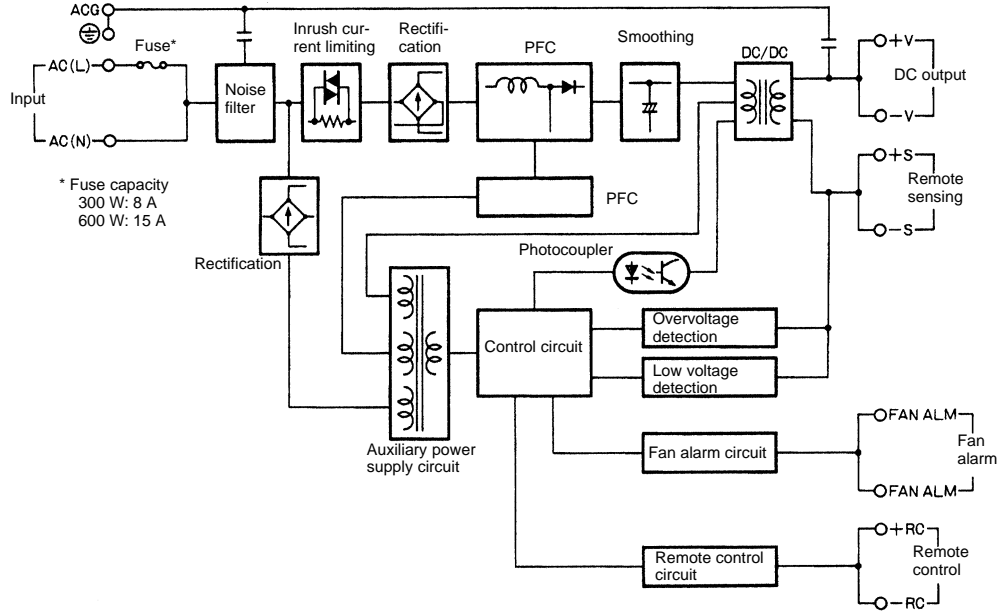
S82H-100□□ (100 W)
S82H-150□□ (150 W)



S82H-P100 (100 W)
 S82H-P150 (150 W)



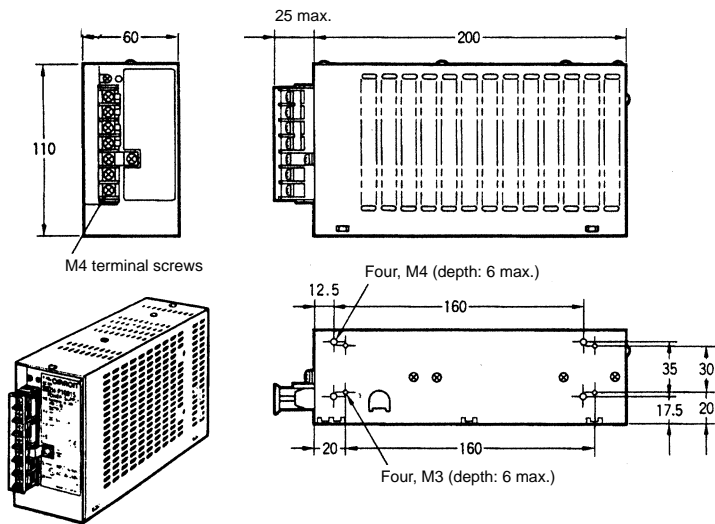
S82H-P300 (300 W)
 S82H-P600 (600 W)



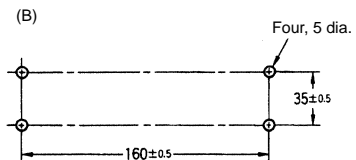
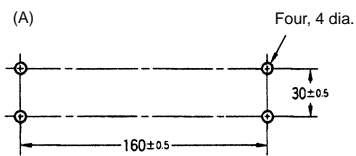
Dimensions

Note: All units are in millimeters unless otherwise indicated.

S82H-□100□□ (100 W)

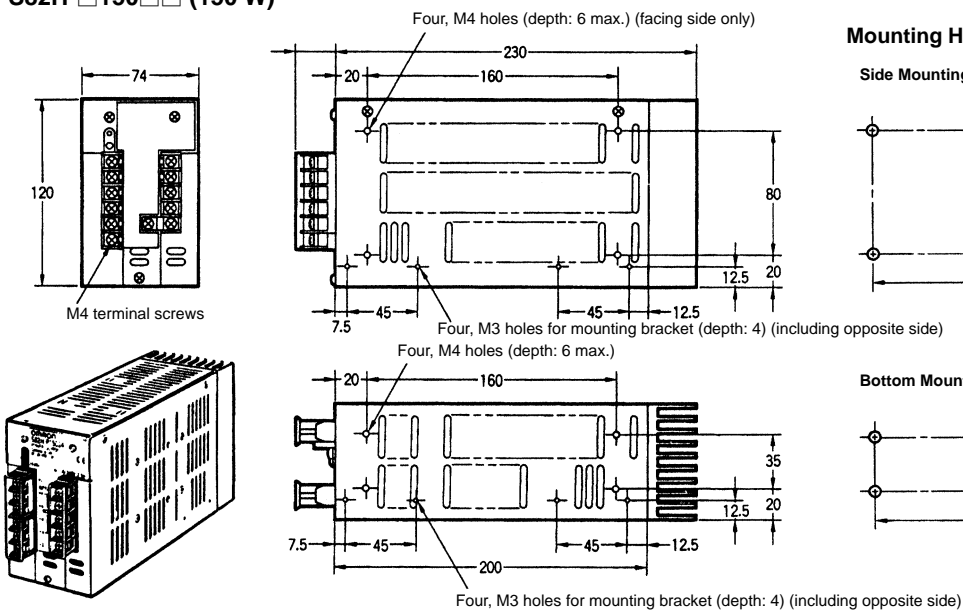


Mounting Holes

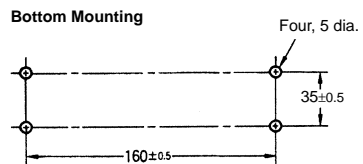
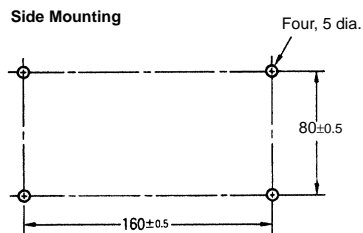


(A): Compatible with conventional S82H (100 W) models
 (B): Compatible with S82P (100 W) discontinued models

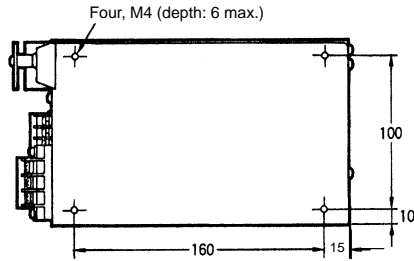
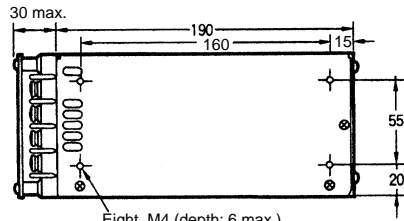
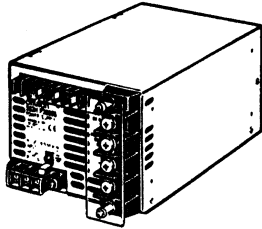
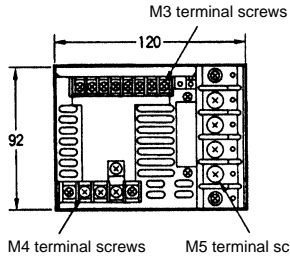
S82H-□150□□ (150 W)



Mounting Holes

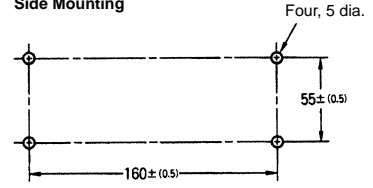


S82H-P300 □ □

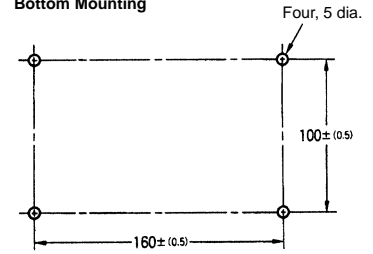


Mounting Holes

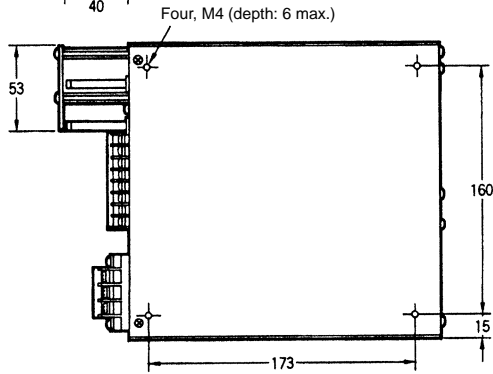
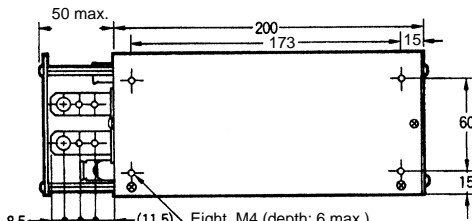
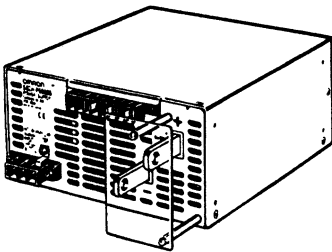
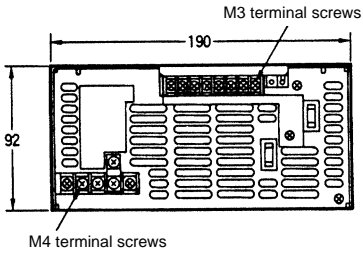
Side Mounting



Bottom Mounting

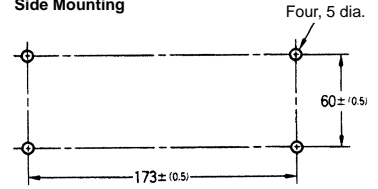


S82H-P600 □ □

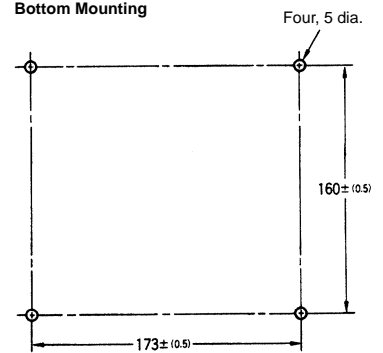


Mounting Holes

Side Mounting



Bottom Mounting



■ Mounting Bracket

S82H-□100□□ (100 W) (Sold Separately)

Type	B Type (Bottom-mounting bracket)	S Type (Side-mounting bracket)	F type (Front-/Back-mounting bracket)
Model	S82Y-H10B	S82Y-H10S	S82Y-H10F
Dimensions	<p>Three, 4.5-dia holes t=2.0</p>	<p>Three, 4.5-dia holes t=2.0</p>	<p>Three, 4.5-dia holes t=1.6</p>
Appearance and mounting holes	<p>Three, M4 holes</p>	<p>Left-side mounting Right-side mounting</p> <p>Three, M4 holes</p>	<p>Back mounting Front mounting</p> <p>Three, M4 holes</p>

S82H-□150□□ (150 W) (Accessories)

Using the Mounting Brackets supplied with the Unit, the Unit can be attached in two directions.

1. Attachment

Dimensions	<p>Two, 3.2 dia (for mounting the Unit) Two, 5 dia. mounting holes t=1.0</p>	
Appearance and mounting holes	<p>Bottom mounting</p> <p>Four, M4</p>	<p>Side mounting</p> <p>Four, M4</p>

Note: Using two screws, attach the Mounting Bracket to the Unit and then attach it to the panel.

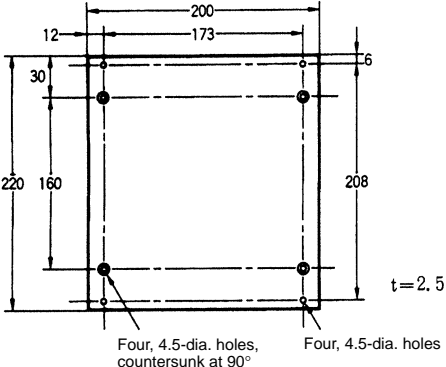
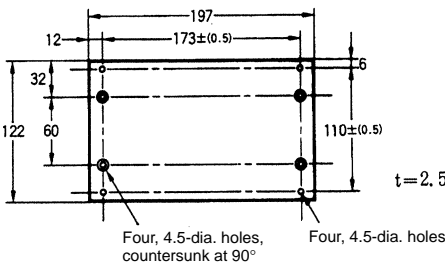
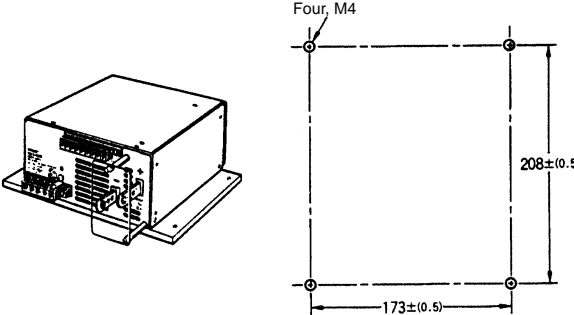
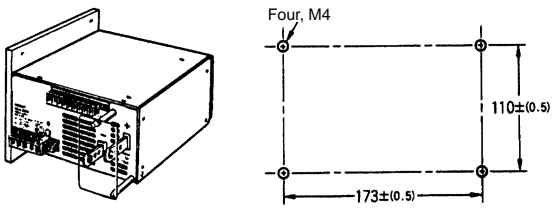
2. Sold Separately

Type	B Type (Bottom-mounting bracket)	S Type (Side-mounting bracket)
Model	S82Y-F15B	S82Y-F15S
Dimensions	<p>Three, 4.5-dia. holes</p> <p>Note: Use countersunk screws of M4 x 8 max. when attaching to the Unit.</p>	<p>Four, 4.5-dia. holes</p> <p>Note: Use countersunk screws of M4 x 8 max. when attaching to the Unit.</p>
Appearance and mounting holes	<p>Three, M4 holes</p>	<p>Four, M4 holes</p>

S82H-P300 (300 W) (Sold Separately)

Type	B Type (Bottom-mounting bracket)	S Type (Side-mounting bracket)
Model	S82Y-D30B	S82Y-D30S
Dimensions	<p>Four, 4.5-dia. holes, countersunk at 90°</p> <p>Four, 4.5-dia. holes</p> <p>Note: Use countersunk screws of M4 x 8 max. when attaching to the Unit.</p>	<p>Four, 4.5-dia. holes, countersunk at 90°</p> <p>Four, 4.5-dia. holes</p> <p>Note: Use countersunk screws of M4 x 8 max. when attaching to the Unit.</p>
Appearance and mounting holes	<p>Four, M4</p>	<p>Four, M4</p> <p>Note: Be careful not to impose any excessive vibration or impact.</p>

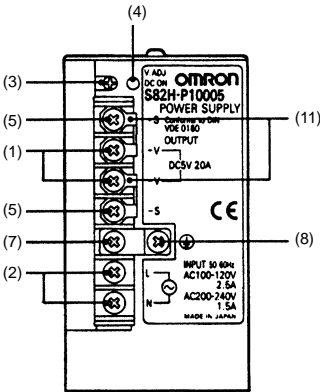
S82H-P600□□ (600 W) (Sold Separately)

Type	B Type (Bottom-mounting bracket)	S Type (Side-mounting bracket)
Model	S82Y-D30B	S82Y-D30S
Dimensions	 <p>Four, 4.5-dia. holes, countersunk at 90°</p> <p>Four, 4.5-dia. holes, countersunk at 90°</p> <p>Note: Use countersunk screws of M4 x 8 max. when attaching to the Unit.</p>	 <p>Four, 4.5-dia. holes, countersunk at 90°</p> <p>Four, 4.5-dia. holes, countersunk at 90°</p> <p>Note: Use countersunk screws of M4 x 8 max. when attaching to the Unit.</p>
Appearance and mounting holes	 <p>Four, M4</p> <p>208±(0.5)</p> <p>173±(0.5)</p> <p>Note: Be careful not to impose any excessive vibration or impact.</p>	 <p>Four, M4</p> <p>110±(0.5)</p> <p>173±(0.5)</p> <p>Note: Be careful not to impose any excessive vibration or impact.</p>

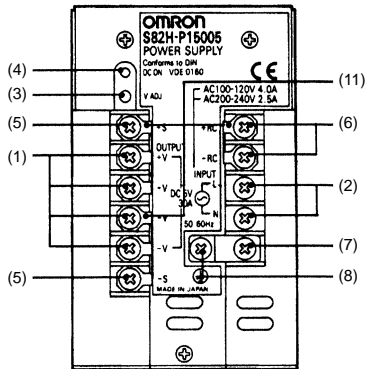
Installation

■ Terminal Arrangement

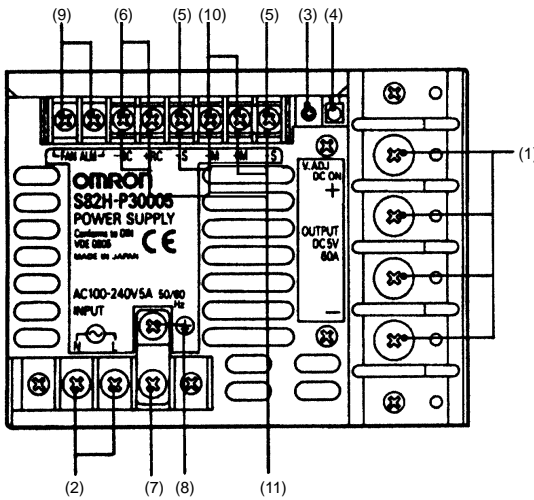
S82H-□100□□ (100 W)



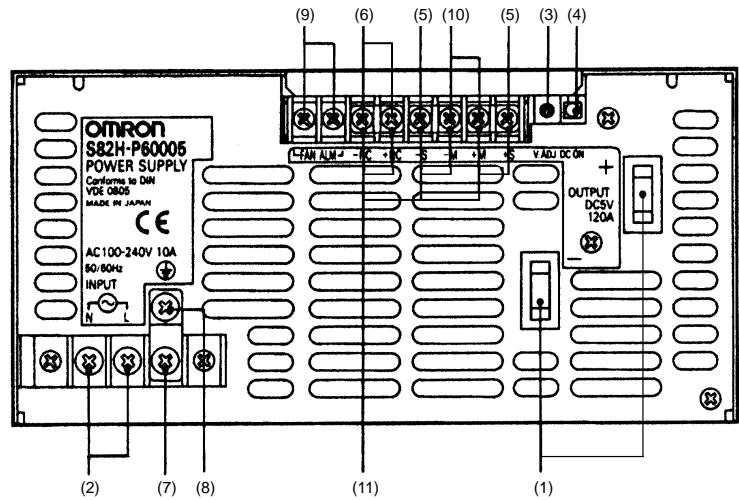
S82H-□150□□ (150 W)



S82H-P300□□ (300 W)



S82H-P600□□ (600 W)



1. **DC Output Terminals:** Connect the load lines to these terminals.
2. **Input Terminals L and N (with fuse inserted into the L side):** Connect the input lines to these terminals.
3. **Output voltage adjustment trimmer V.ADJ (with adjustment range of $\pm 10\%$ of rated output):** Adjusts the output voltage.
4. **Output indicator DC ON (green):** Lit while a DC output is ON.
5. **Remote sensing terminals:** Corrects the voltage drop in the load lines.
6. **Remote control terminals:** Enables external signals to turn the output ON and OFF while the input voltage is imposed. The terminals are short-circuited with a short bar before shipping.
7. **ACG Terminal:** The intermediate point of the input filter. The terminal is short-circuited to the GR terminal (⊕) before shipping.
8. **GR Terminal (⊕):** Shorted to the housing. Ground the Power Supply through this terminal.
9. **Fan alarm terminals FAN ALM:** Turns ON when the revolution of the built-in fan drops.
10. **Output voltage monitor terminals:** Connected to the DC output terminals internally. No output current can be, however, obtained from these terminals. Short-circuit the terminals to the remote sensing terminals +S and -S if the remote sensing function is not used.
11. **Short bar**

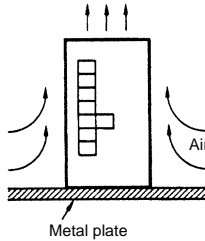
Precautions

Mounting

To improve and maintain the reliability of the Power Supply over a long period of time, adequate consideration must be given to heat radiation.

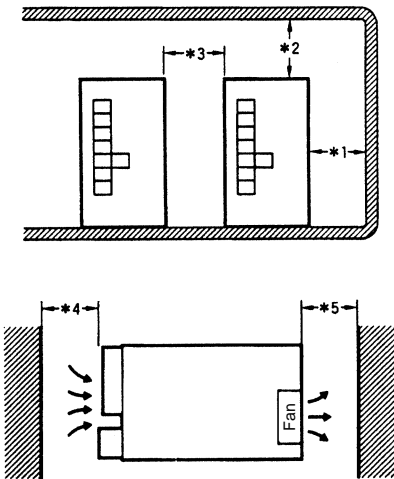
The Power Supply is designed to radiate heat by means of natural air-flow. Therefore, mount the Power Supply so that air flow takes place around the Power Supply.

It is recommended that the Power Supply be mounted on a metal plate.



Provide at least the spaces listed in the following table.

Model	*1	*2	*3	*4	*5
100W, 150W	30 mm	50 mm	20 mm	20 mm	20 mm
300W	30 mm	50 mm	20 mm	50 mm	40 mm
600W	30 mm	50 mm	20 mm	70 mm	50 mm



Forced air-cooling is recommended.

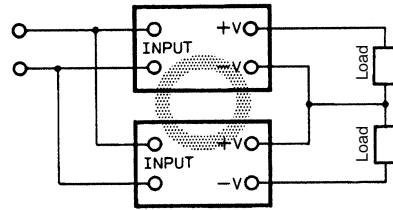
Don't expose the product to the direct sunlight.

Be careful not to allow any machining chips or dust into the product while fabricating mounting plates.

Don't use the product where fluids, foreign matter, or corrosive gases may enter the product.

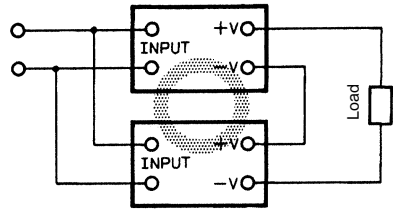
Generating Output Voltage (±)

An output of ± can be generated by using two Power Supplies, as shown below, because the Power Supply produces a floating output.



Serial Operation

The output of two Power Supplies can be combined in series.

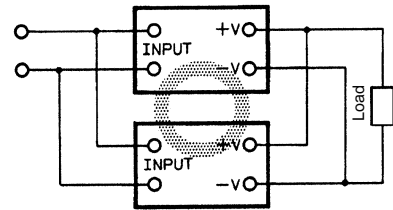


Parallel Operation

Parallel operation is possible by simply connecting the output terminals in parallel. (Other than 100 W models)

Using the output voltage adjustment trimmer, adjust the output of each power supply to the same value.

Operate the Power Supplies connected in parallel at 80% of the rated output current.

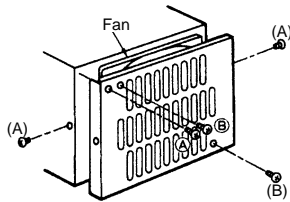


Replacing the Fan

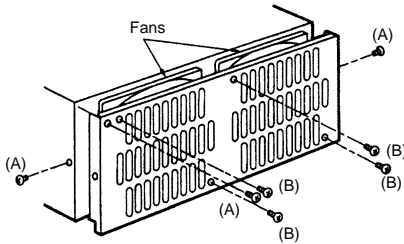
The fan must be replaced when a fan alarm is output. Contact your OMRON representative for details about fan replacement.

When replacing the fan, unscrew the case fixing screws (A) to remove the rear plate and then unscrew the fan fixing screws (B) to remove the fan.

300 W



600 W

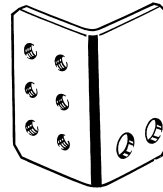


Note: The 600-W models incorporate two fans.

Terminal Expansion Bracket

The maximum current density should be 20 A per one M4 terminal screw.

A terminal expansion bracket is available for use with the 600-W Power Supply when several loads need to be connected.



S82Y-D60T

Brackets: 2
M4 x 8 terminal screws: 12
M5 x 12 terminal screws: 4

Wiring Precautions

The Power Supply is provided with reinforced insulation between the primary and secondary terminals. When using the secondary circuit as an SELV circuit, the circuit connected to the output terminals and auxiliary function terminals must be an SELV circuit.

The noise level varies depending on the wiring method. In order to prevent emission from wires, insert ferrite cores or other means of noise-protection in the wires. (Recommended material: TDK HF type)

ALL DIMENSIONS SHOWN ARE IN MILLIMETERS.

To convert millimeters into inches, multiply by 0.03937. To convert grams into ounces, multiply by 0.03527.

Cat. No. T10-E1-1 In the interest of product improvement, specifications are subject to change without notice.

OMRON Corporation

Systems Components Division
28th Fl., Crystal Tower Bldg.
1-2-27, Shiromi, Chuo-ku,
Osaka 540 Japan
Phone: 06-949-6012 Fax: 06-949-6021

Printed in Japan
0896-2M (0896) a