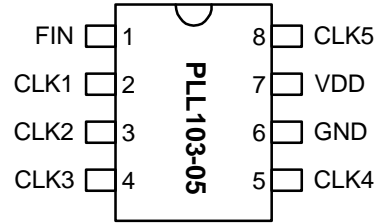


1-to-5 Clock Distribution Buffer

FEATURES

- 5 outputs identical to FIN.
- Low skew (< 250 ps between outputs).
- Input / Output frequency range 0 ~ 160 MHz
- 25mA drive capability at TTL levels.
- 70mA drive capability at CMOS levels.
- 3.3V operation.
- Available in 8-Pin 150mil SOIC.

PIN CONFIGURATION

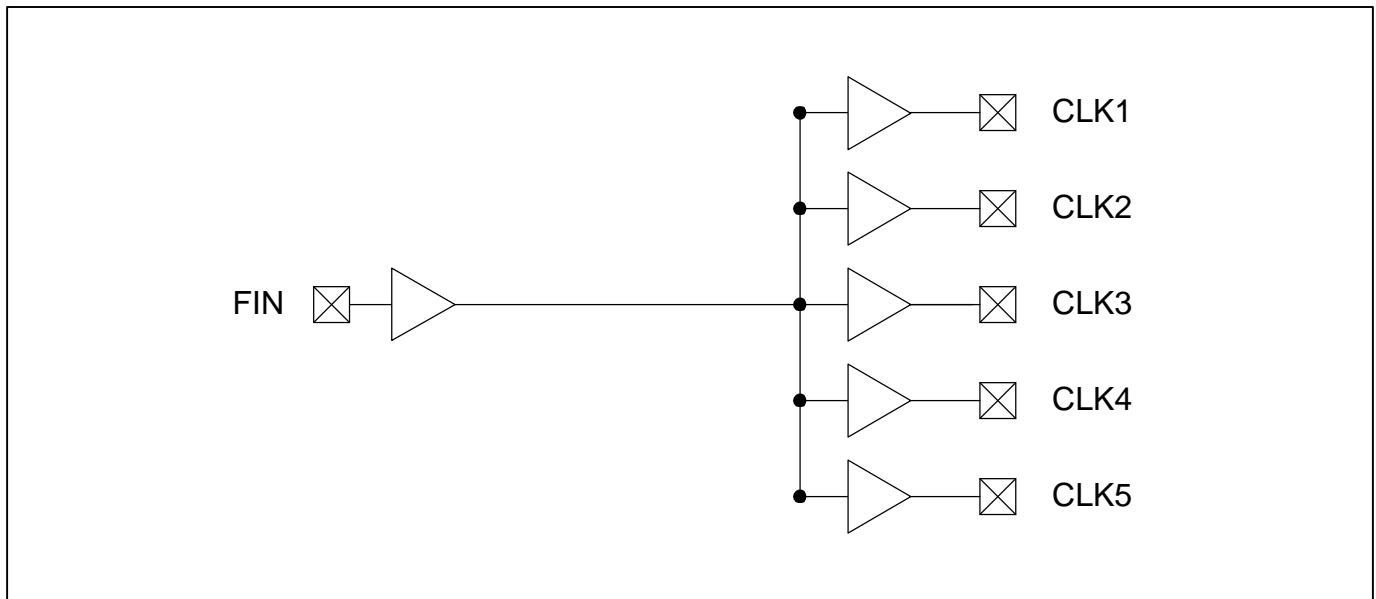


FIN = 0 ~ 160 Mhz

DESCRIPTIONS

The PLL103-05 is a 1-to-5 Clock Distribution Buffer, reproducing the reference input frequency (FIN) at 5 different outputs. It is designed to minimize skew between outputs and provides TTL and CMOS compatible output levels.

BLOCK DIAGRAM



1-to-5 Clock Distribution Buffer**PIN DESCRIPTIONS**

Name	Number	Type	Description
FIN	1	I	Input Clock Frequency (FIN range 0 ~ 160MHz).
CLK1	2	O	Buffered Clock Output.
CLK2	3	O	Buffered Clock Output.
CLK3	4	O	Buffered Clock Output.
CLK4	5	O	Buffered Clock Output.
GND	6	P	Ground.
VDD	7	P	3.3V Power Supply.
CLK5	8	O	Buffered Clock Output.

1-to-5 Clock Distribution Buffer

ELECTRICAL SPECIFICATIONS

1. Absolute Maximum Ratings

PARAMETERS	SYMBOL	MIN.	MAX.	UNITS
Supply Voltage Range	V _{CC}	-0.5	7	V
Input Voltage Range	V _I	-0.5	V _{CC} +0.5	V
Output Voltage Range	V _O	-0.5	V _{CC} +0.5	V
Soldering Temperature			260	°C
Storage Temperature	T _S	-65	150	°C
Ambient Operating Temperature		0	70	°C
ESD Voltage			2	kV

Exposure of the device under conditions beyond the limits specified by Maximum Ratings for extended periods may cause permanent damage to the device and affect product reliability. These conditions represent a stress rating only, and functional operations of the device at these or any other conditions above the operational limits noted in this specification is not implied.

2. Electrical Characteristics

V_{DD} = 3.0~3.6V, unless otherwise stated

PARAMETERS	SYMBOL	CONDITIONS	MIN.	TYP.	MAX.	UNITS
Input Low Voltage	V _{IL}				0.8	V
Input High Voltage	V _{IH}		2.0			V
Input Low Current	I _{IL}	V _{IN} = 0V		19	50.0	μA
Input High Current	I _{IH}	V _{IN} = V _{DD}		0.10	100.0	μA
Output Low Current	I _{OL}	V _{OL} = 1.5 V		50		mA
Output High Current	I _{OH}	V _{OH} = 1.5 V		50		mA
Power Down Supply Current	I _{DD}	REF = 0MHz		0.3	50.0	μA
Supply Current	I _{DD}	Unloaded outputs at 75MHz, SEL inputs at V _{DD} or GND		30.0	40.0	mA

3. TIMING CHARACTERISTICS

PARAMETERS	SYMBOL	CONDITIONS	MIN.	TYP.	MAX.	UNITS
Rise Time	T _r	Measured at 0.8V ~ 2.0V @ 3.3V	0.8	0.95	1.1	ns
Fall Time	T _f	Measured at 2.0V ~ 0.8V @ 3.3V	0.78	0.85	0.9	ns
Propagation	T _{PROP}	V _T = 1.5 V	1	4	6	ns
Output Duty Cycle	D _T		45	50	55	%
Output-to-Output skew	T _{skew}	Rising edges at V _{DD} /2			250	ps

1-to-5 Clock Distribution Buffer

PACKAGE INFORMATION

8 PIN Narrow SOIC (mm)

Symbol	SOIC	
	Min.	Max.
A	1.55	1.73
A1	0.15	0.18
B	0.35	0.49
C	0.19	0.25
D	4.80	4.98
E	3.81	3.99
H	5.84	6.20
L	0.41	0.89
e	1.27 BSC	

ORDERING INFORMATION

For part ordering, please contact our Sales Department:
 47745 Fremont Blvd., Fremont, CA 94538, USA
 Tel: (510) 492-0990 Fax: (510) 492-0991

PART NUMBER
 The order number for this device is a combination of the following:
 Device number, Package type and Operating temperature range

PLL103-05 S C

PART NUMBER _____

- TEMPERATURATURE
 C=COMMERCIAL
 M=MILITARY
 I=INDUSTRAL
- PACKAGE TYPE
 S=SOIC

PhaseLink Corporation, reserves the right to make changes in its products or specifications, or both at any time without notice. The information furnished by Phaselink is believed to be accurate and reliable. However, PhaseLink makes no guarantee or warranty concerning the accuracy of said information and shall not be responsible for any loss or damage of whatever nature resulting from the use of, or reliance upon this product.

LIFE SUPPORT POLICY: PhaseLink s products are not authorized for use as critical components in life support devices or systems without the express written approval of the President of PhaseLink Corporation.