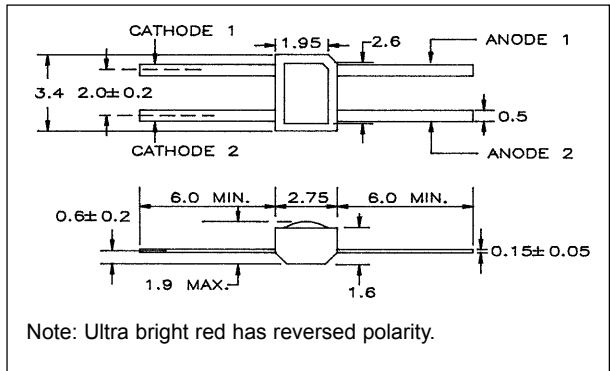


# Axial Leaded LED Lamps

## FEATURES

- All plastic mold type
- Will fit in small space
- Low current operation



## MAXIMUM RATINGS (Ta = 25°C)

PART NO.	FORWARD CURRENT (If) (mA)	REVERSE VOLTAGE (Vr) (V)	POWER DISSIPATION (Pd) (mW)	OPERATING TEMPERATURE (T <sub>opp</sub> ) (°C)	STORAGE TEMPERATURE (T <sub>stg</sub> ) (°C)
MT144A-RG	30	5.0	85	-25~+85	-25~+100
MT244A-G	30	5.0	85	-25~+85	-25~+100
MT344A-Y	30	5.0	85	-25~+85	-25~+100
MT444A-O	30	5.0	85	-25~+85	-25~+100
MT444A-HR	30	5.0	85	-25~+85	-25~+100
MT744A-UR	30	4.0	70	-25~+85	-25~+100
MT134A-RG	30	5.0	85	-25~+85	-25~+100
MT234A-G	30	5.0	85	-25~+85	-25~+100
MT334A-Y	30	5.0	85	-25~+85	-25~+100
MT434A-HR	30	5.0	85	-25~+85	-25~+100
MT734A-UR	30	4.0	70	-25~+85	-25~+100

## OPTO-ELECTRICAL CHARACTERISTICS (Ta = 25°C)

PART NO.	MATERIAL	LENS COLOR	VIEWING ANGLE typ.	LUMINOUS INTENSITY (mcd)			FORWARD VOLTAGE (V)			REVERSE CURRENT	PEAK WAVE LENGTH	
				min.	typ.	@mA	typ.	max.	@mA	µA	Vr	nm
MT144A-RG	GaP	Red Clear	76°	1.9	4.9	20	2.1	3.0	20	100	5	700
MT244A-G	GaP	Green Clear	76°	7.7	12.8	20	2.1	3.0	20	100	5	567
MT344A-Y	GaAsP/GaP	Yellow Clear	76°	6.4	10.6	20	2.1	3.0	20	100	5	585
MT444A-O	GaAsP/GaP	Orange Clear	76°	8.9	14.9	20	2.1	3.0	20	100	5	635
MT444A-HR	GaAsP/GaP	Red Clear	76°	8.9	14.9	20	2.1	3.0	20	100	5	635
MT744A-UR	GaAlAs/GaAs	Red Clear	76°	35.0	90.0	20	1.9	2.5	20	100	4	660
MT134A-RG	GaP	Water Clear	76°	2.9	4.9	20	2.1	3.0	20	100	5	700
MT234A-G	GaP	Water Clear	76°	7.7	12.8	20	2.1	3.0	20	100	5	567
MT334A-Y	GaAsP/GaP	Water Clear	76°	6.4	10.6	20	2.1	3.0	20	100	5	585
MT434A-HR	GaAsP/GaP	Water Clear	76°	8.9	14.9	20	2.1	3.0	20	100	5	635
MT734A-UR	GaAlAs/GaAs	Water Clear	76°	35.0	90.0	20	1.9	2.5	20	100	4	660



120 Broadway • Menands, New York 12204  
Toll Free: (800) 98-4LEDS • Fax: (518) 432-7454