



# 1SS390

## SURFACE MOUNT PIN DIODE

**VOLTAGE** 35 Volts **POWER** 200 mW

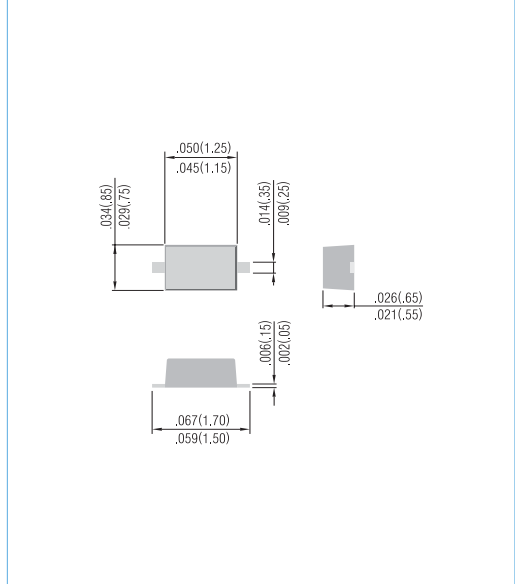
**SOD-523** Unit: inch ( mm )

### FEATURES

Very low series resistance at 100MHz (0.45  $\Omega$  typical@ $I_F=2mA$ )  
 Low capacitance (0.8pF typical@ $V_R=6V$ )  
 Surface mount package ideally suited for automatic insertion  
 Pb free product are available : 99% Sn above can meet RoHS  
 environment substance directive request

### MECHANICAL DATA

Case: SOD-523 plastic  
 Terminals : Solderable per MIL-STD-750,Method 2026  
 Approx Weight: 0.002 grams  
 Device Marking : 390



### ABSOLUTE RATINGS

Parameter	Symbol	Value	Units
Maximum Reverse Voltage	$V_R$	35	V
Continuous Forward Current	$I_F$	0.2	A

### THERMAL CHARACTERISTICS

Parameter	Symbol	Value	Units
Power Dissipation (Note 1)	$P_{TOT}$	200	mW
Thermal Resistance, Junction to Ambient (Note 1)	$R_{JA}$	625	$^{\circ}C / W$
Junction Temperature	$T_J$	-55 to 150	$^{\circ}C$
Storage Temperature	$T_{STG}$	-55 to 150	$^{\circ}C$

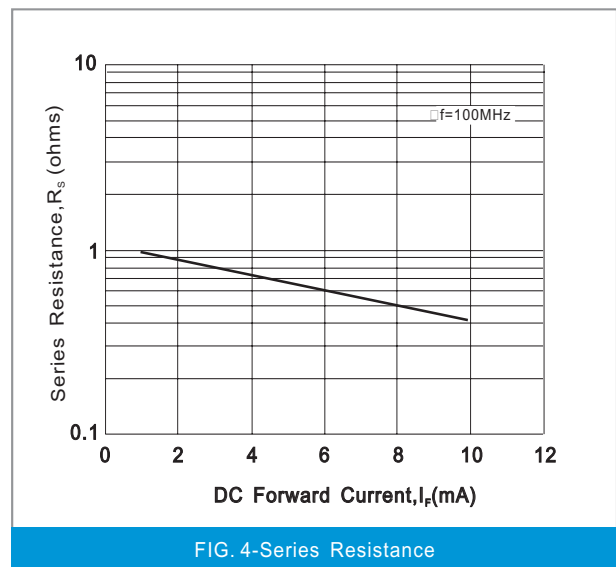
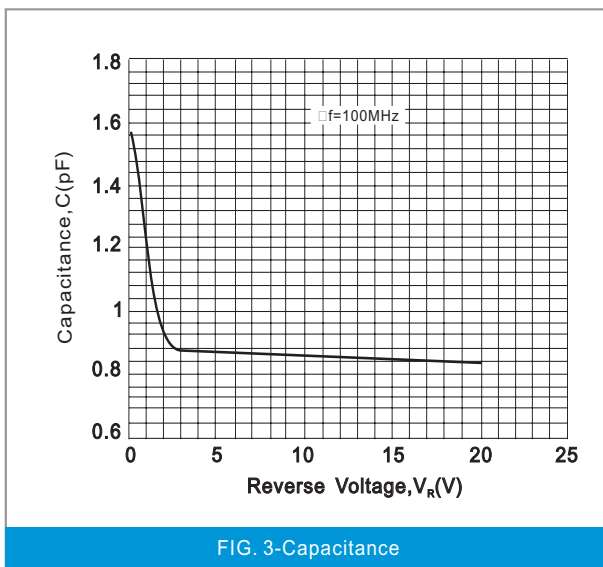
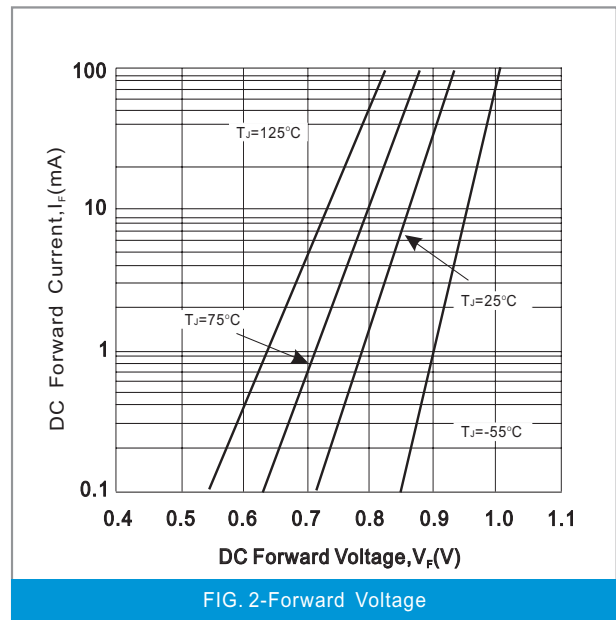
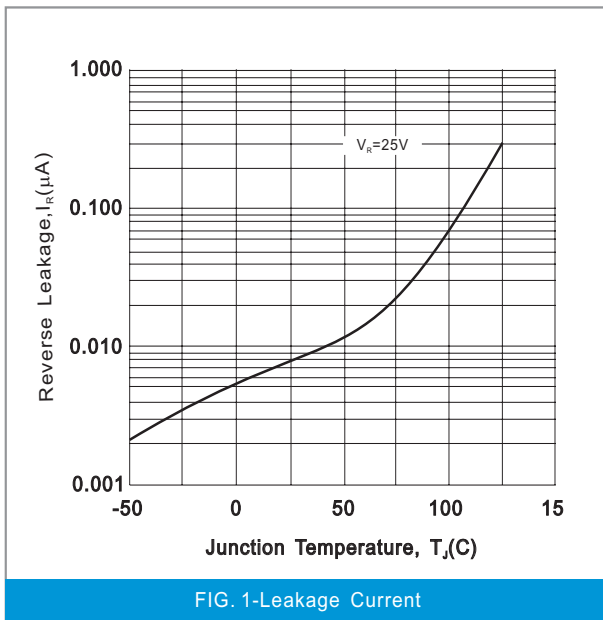
Note 1 : FR-5 Board 1.0 x 0.75 x 0.062 in.



# 1SS390

## ELECTRICAL CHARACTERISTICS ( $T_J=25^\circ\text{C}$ , unless otherwise noted)

Parameter	Symbol	Test Condition	Min.	Typ.	Max.	Units
Reverse Breakdown Voltage	$V_{(BR)}$	$I_R=10\mu\text{A}$	35	-	-	V
Reverse Current	$I_R$	$V_R=25\text{V}$	-	-	10	nA
Series Resistance	$R_S$	$I_F=2\text{mA}, f=100\text{MHz}$	-	0.45	0.9	$\Omega$
Total Capacitance	$C_T$	$V_R=6\text{V}, f=1\text{MHz}$	-	-	1.2	pF

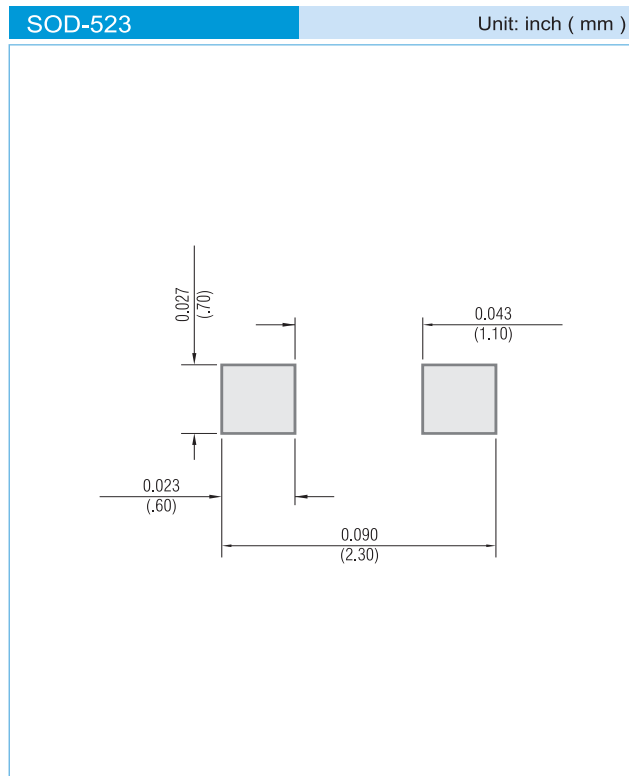





---

## MOUNTING PAD LAYOUT

---




---

## ORDER INFORMATION

---

- Packing information
  - T/R - 12K per 13" plastic Reel
  - T/R - 5K per 7" plastic Reel

---

## LEGAL STATEMENT

---

### Copyright PanJit International, Inc 2006

The information presented in this document is believed to be accurate and reliable. The specifications and information herein are subject to change without notice. Pan Jit makes no warranty, representation or guarantee regarding the suitability of its products for any particular purpose. Pan Jit products are not authorized for use in life support devices or systems. Pan Jit does not convey any license under its patent rights or rights of others.