

VDSL6100i

Integrated LR EoVDSL Modem-on-Chip
PEF 22827



Using Infineon's Adaptive Hybrid technology, advanced VDSL Line Driver, and configurable software, the VDSL6100i delivers a series of industry breakthroughs for QAM-VDSL DSLAM linecards. The VDSL6100i boosts Ethernet over VDSL reach to more than 4 km (13,000 ft).

The VDSL6100i Modem-on-Chip (MoC) incorporates the digital transceiver, the analog front end, and the line driver into a single 13 mm x 13 mm package. Advanced Adaptive Hybrid technology eliminates the need for band plan-specific linecards so a single design can be used in multi-regional DSLAM/Switches.

With Infineon's VDSL6100i, system vendors can shorten their design cycles for a wide variety of Ethernet over VDSL and MDU/MTU networking applications.

All together, the VDSL6100i delivers smaller footprints and lower BOMs, significantly reducing overall VDSL system costs.

Applications

- IP-DSLAM linecards
- Multiple Dwelling/Tenant Units (MDU / MTU) networking
- Ethernet-over-VDSL for first/last mile access solutions
- Fiber, broadband wireless and satellite extensions
- LAN extensions up to 4 km (13,000 ft.)

Features

- LR-VDSL mode for extended VDSL range (up to -40 dBm/Hz)
- Versatile and completely flexible 2, 3, or 4-band operation
- Adaptive Hybrid technology for highly compact IP-DSLAM and Ethernet switch designs
- T1E1.4, ETSI, CTSI and ITU-T compliant
- Extremely small 13 mm x 13 mm footprint
- High speed VDSL PHY applications
- Low power consumption
- Supports draft IETF MIBs for VDSL

- Frequency Division Multiplexing (FDM)
- Built-in interleaver memory
- Implements Power Back Off
- Embedded crystal oscillator (DCXO) for timing recovery
- Spectral allocation allows noise-free operation with xDSL, ISDN, TCM-ISDN and digital PBX

Performance

- Asymmetric DS/US data rates of 70/40 Mbit/s and symmetric data rates up to 50 Mbit/s
- LR-VDSL data rates over 4 Mbit/s DS at 4 km with an overall operating range greater than 4 km.

Interfaces

- MII/SMII/SS-SMII/RMII compliant with the 802.3 Ethernet specification
- MII serial management interface to access all internal registers
- External parallel host port
- Serial UART interface to a standard serial terminal
- EEPROM interface via IIC
- IEEE 1149.1 JTAG test port

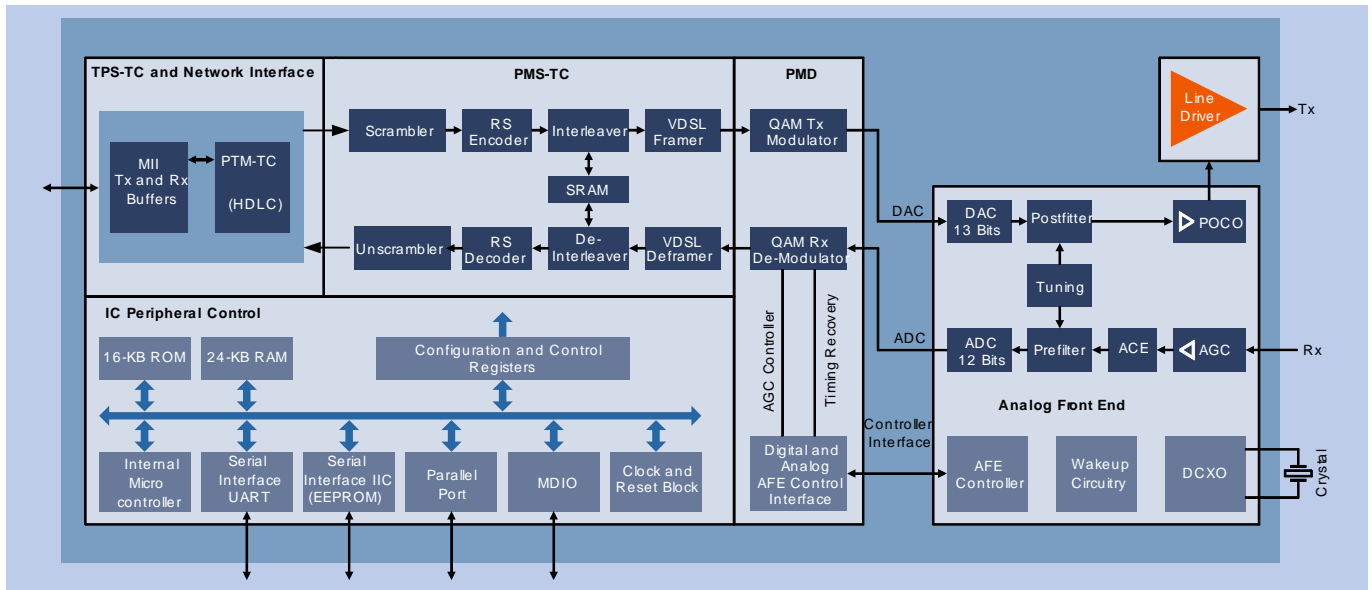
www.infineon.com/products

Wireline Communications



Never stop thinking.

VDSL6100i Block Diagram



Product Summary

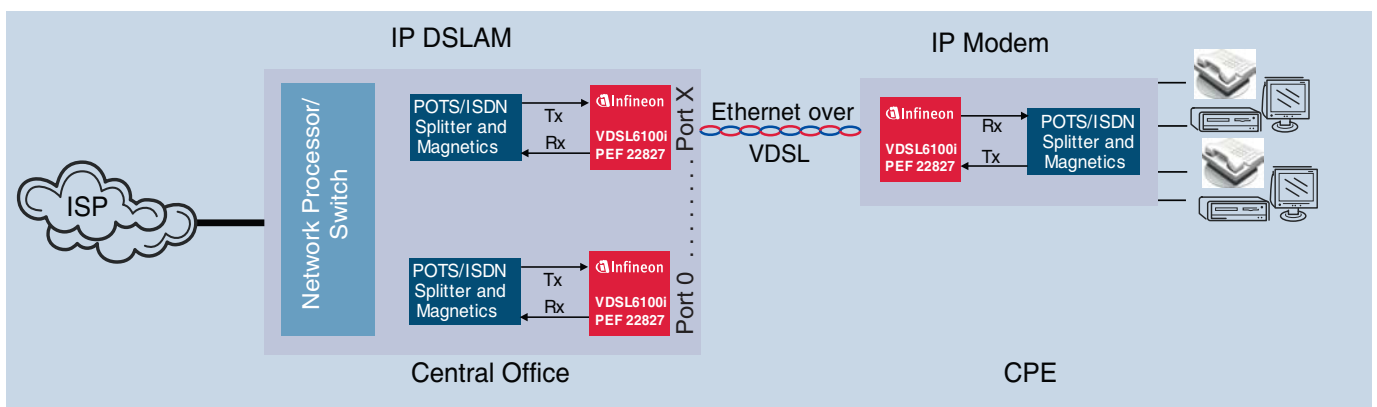
VDSL6100i IC

ProductSales Code	Description	Package
PEF22827	VDSL6100i integrated Modem-on-Chip for Ethernet-over-VDSL applications	PG-LFBGA-225-1

VDSL6100i Design Tool

Product Sales Code	Description	Package
VDSL6100i-E	Evaluation/Demo Kit for Ethernet-over-VDSL and LR-VDSL applications.	EoVDSL kit including CO and CPE side boards, software package and documentation.

VDSL6100i Application Example for Triple Play System



How to reach us:

<http://www.infineon.com>

Published by
Infiniteon Technologies AG,
St.-Martin-Strasse 53,
81669 München

© Infineon Technologies AG 2004.
All Rights Reserved.

Template: pb_tmplt_wide.fm/4
yb_rev_1

Attention please!

The information herein is given to describe certain components and shall not be considered as a guarantee of characteristics. Terms of delivery and rights to technical change reserved.

We hereby disclaim any and all warranties, including but not limited to warranties of non-infringement, regarding circuits, descriptions and charts stated herein.

Information

For further information on technology, delivery terms and conditions and prices please contact your nearest Infineon Technologies Office.

Warnings

Due to technical requirements components may contain dangerous substances. For information on the types in question please contact your nearest Infineon Technologies Office.

Infiniteon Technologies Components may only be used in life-support devices or systems with the express written approval of Infineon Technologies, if a failure of such components can reasonably be expected to cause the failure of that life-support device or system, or to affect the safety or effectiveness of that device or system. Life support devices or systems are intended to be implanted in the human body, or to support and/or maintain and sustain and/or protect human life. If they fail, it is reasonable to assume that the health of the user or other persons may be endangered.

Ordering No. B115-H8444-X-X-7600
Printed in Germany
PS 04043. NB