



STM4410A

N-Channel Enhancement Mode Field Effect Transistor

| PRODUCT SUMMARY | | |
|------------------|----------------|--------------------------------|
| V _{DSS} | I _D | R _{DS(ON)} (mΩ) Max |
| 30V | 10A | 9.5 @ V _{GS} = 10V |
| | | 21 @ V _{GS} = 4.5V |

FEATURES

- Super high dense cell design for low R_{DS(ON)}.
- Rugged and reliable.
- Surface Mount Package.



ABSOLUTE MAXIMUM RATINGS (T_A=25°C unless otherwise noted)

| Parameter | Symbol | Limit | Unit |
|--|-----------------------------------|------------|------|
| Drain-Source Voltage | V _{DS} | 30 | V |
| Gate-Source Voltage | V _{GS} | ±20 | V |
| Drain Current-Continuous ^a @ T _J =25°C -Pulsed ^b | I _D | 10 | A |
| | I _{DM} | 39 | A |
| Drain-Source Diode Forward Current ^a | I _S | 1.7 | A |
| Maximum Power Dissipation ^a | P _D | 2.5 | W |
| Operating Junction and Storage Temperature Range | T _J , T _{STG} | -55 to 150 | °C |

THERMAL CHARACTERISTICS

| | | | |
|--|------------------|----|------|
| Thermal Resistance, Junction-to-Ambient ^a | R _{θJA} | 50 | °C/W |
|--|------------------|----|------|

STM4410A

ELECTRICAL CHARACTERISTICS ($T_A=25^{\circ}\text{C}$ unless otherwise noted)

| Parameter | Symbol | Condition | Min | Typ ^c | Max | Unit |
|--|--------------|---|-----|------------------|-----------|---------|
| OFF CHARACTERISTICS | | | | | | |
| Drain-Source Breakdown Voltage | BV_{DSS} | $V_{GS}=0V, I_D=250\mu A$ | 30 | | | V |
| Zero Gate Voltage Drain Current | I_{DSS} | $V_{DS}=24V, V_{GS}=0V$ | | | 1 | μA |
| Gate-Body Leakage | I_{GSS} | $V_{GS} = \pm 20V, V_{DS} = 0V$ | | | ± 100 | nA |
| ON CHARACTERISTICS^b | | | | | | |
| Gate Threshold Voltage | $V_{GS(th)}$ | $V_{DS}=V_{GS}, I_D = 250\mu A$ | 1 | 1.7 | 3 | V |
| Drain-Source On-State Resistance | $R_{DS(on)}$ | $V_{GS} = 10V, I_D = 9A$ | | 8.5 | 9.5 | m ohm |
| | | $V_{GS} = 4.5V, I_D = 5A$ | | 16 | 21 | m ohm |
| On-State Drain Current | $I_{D(on)}$ | $V_{DS} = 10V, V_{GS} = 10V$ | 20 | | | A |
| Forward Transconductance | g_{FS} | $V_{DS} = 10V, I_D = 9A$ | | 13 | | S |
| DYNAMIC CHARACTERISTICS^c | | | | | | |
| Input Capacitance | C_{ISS} | $V_{DS} = 15V, V_{GS} = 0V$ $f = 1.0MHz$ | | 1500 | | pF |
| Output Capacitance | C_{OSS} | | | 380 | | pF |
| Reverse Transfer Capacitance | C_{RSS} | | | 240 | | pF |
| SWITCHING CHARACTERISTICS^c | | | | | | |
| Turn-On Delay Time | $t_{D(on)}$ | $V_{DD} = 15V$ $I_D = 1A$ $V_{GS} = 10V$ $R_{GEN} = 6 \text{ ohm}$ | | 31 | | ns |
| Rise Time | t_r | | | 9.5 | | ns |
| Turn-Off Delay Time | $t_{D(off)}$ | | | 50.5 | | ns |
| Fall Time | t_f | | | 28.5 | | ns |
| Total Gate Charge | Q_g | $V_{DS} = 15V, I_D = 9A, V_{GS} = 10V$ | | 30.5 | | nC |
| | | $V_{DS} = 15V, I_D = 9A, V_{GS} = 4.5V$ | | 15 | | nC |
| Gate-Source Charge | Q_{gs} | $V_{DS} = 15V, I_D = 9A$ $V_{GS} = 10V$ | | 6 | | nC |
| Gate-Drain Charge | Q_{gd} | | | 8 | | nC |

STM4410A

ELECTRICAL CHARACTERISTICS ($T_A=25^\circ\text{C}$ unless otherwise noted)

| Parameter | Symbol | Condition | Min | Typ ^c | Max | Unit |
|---|----------|---------------------------|-----|------------------|-----|------|
| DRAIN-SOURCE DIODE CHARACTERISTICS^b | | | | | | |
| Diode Forward Voltage | V_{SD} | $V_{GS} = 0V, I_S = 1.7A$ | | 0.78 | 1.2 | V |

Notes

- a. Surface Mounted on FR4 Board, $t \leq 10\text{sec}$.
- b. Pulse Test: Pulse Width $\leq 300\mu\text{s}$, Duty Cycle $\leq 2\%$.
- c. Guaranteed by design, not subject to production testing.

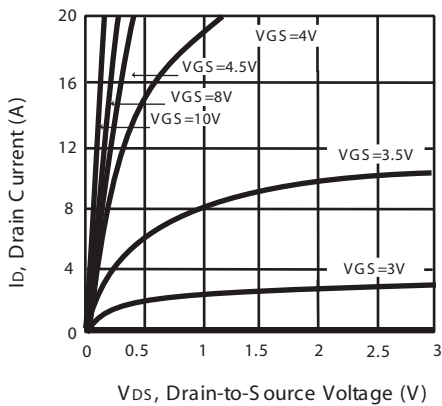


Figure 1. Output Characteristics

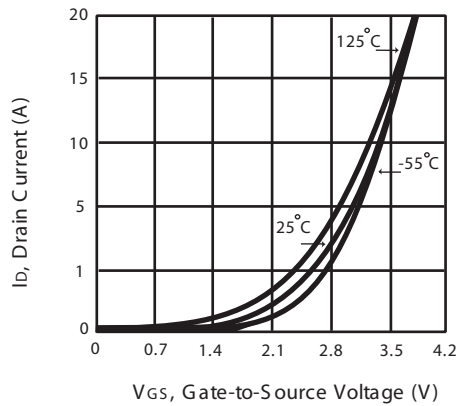


Figure 2. Transfer Characteristics

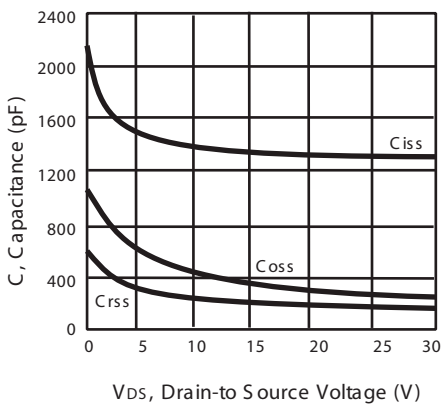


Figure 3. Capacitance

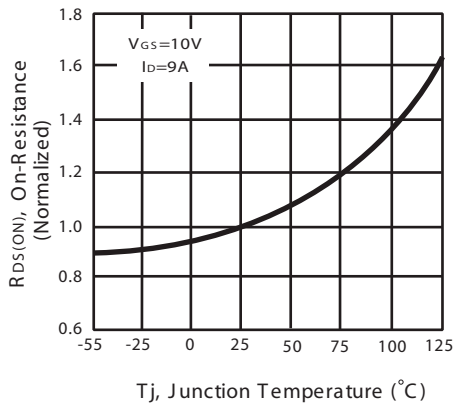


Figure 4. On-Resistance Variation with Temperature

STM4410A

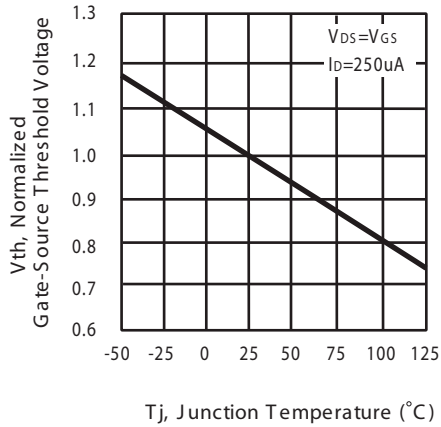


Figure 5. Gate Threshold Variation with Temperature

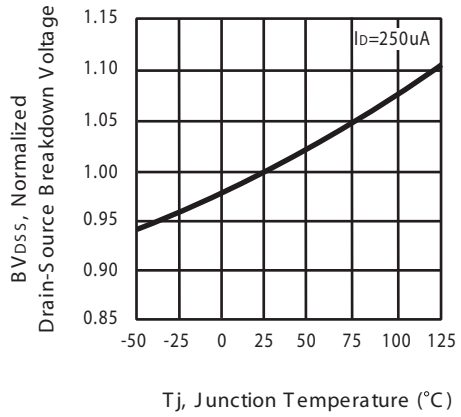


Figure 6. Breakdown Voltage Variation with Temperature

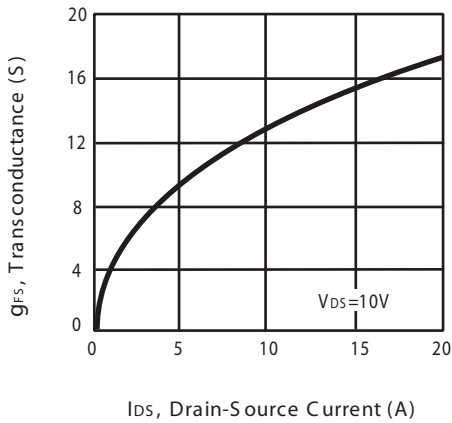


Figure 7. Transconductance Variation with Drain Current

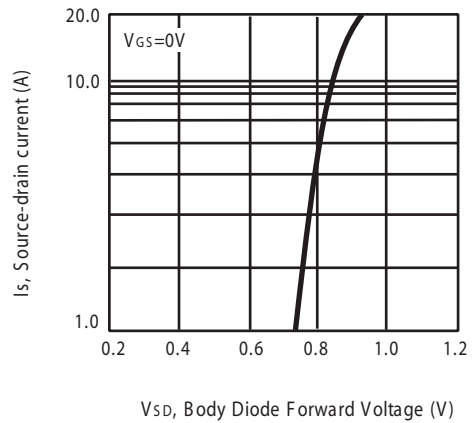


Figure 8. Body Diode Forward Voltage Variation with Source Current

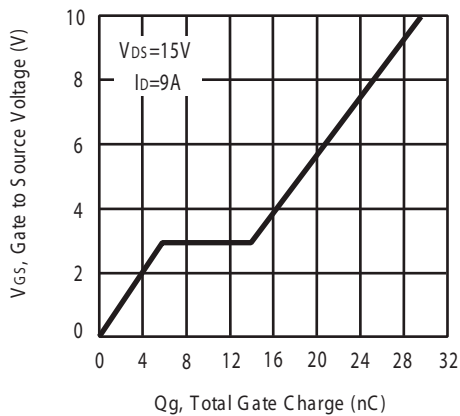


Figure 9. Gate Charge

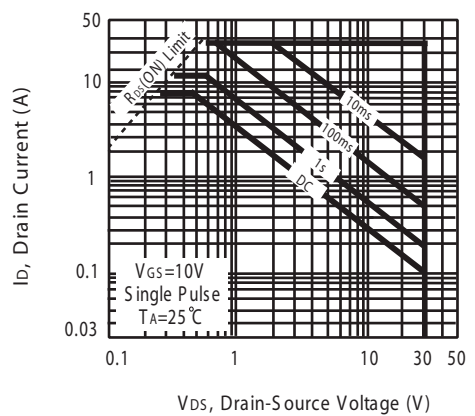


Figure 10. Maximum Safe Operating Area

STM4410A

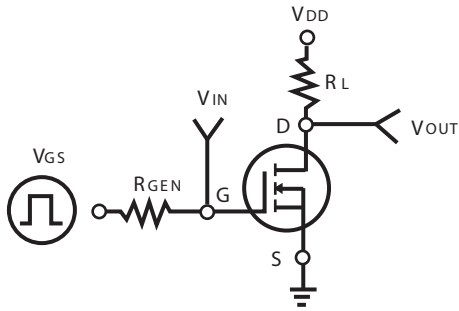


Figure 11. Switching Test Circuit

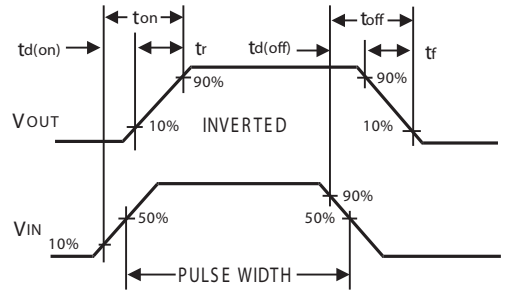


Figure 12. Switching Waveforms

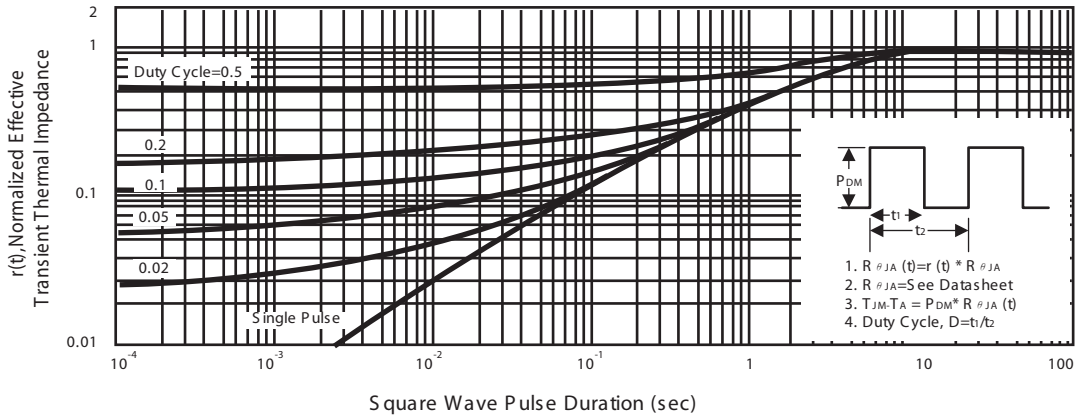
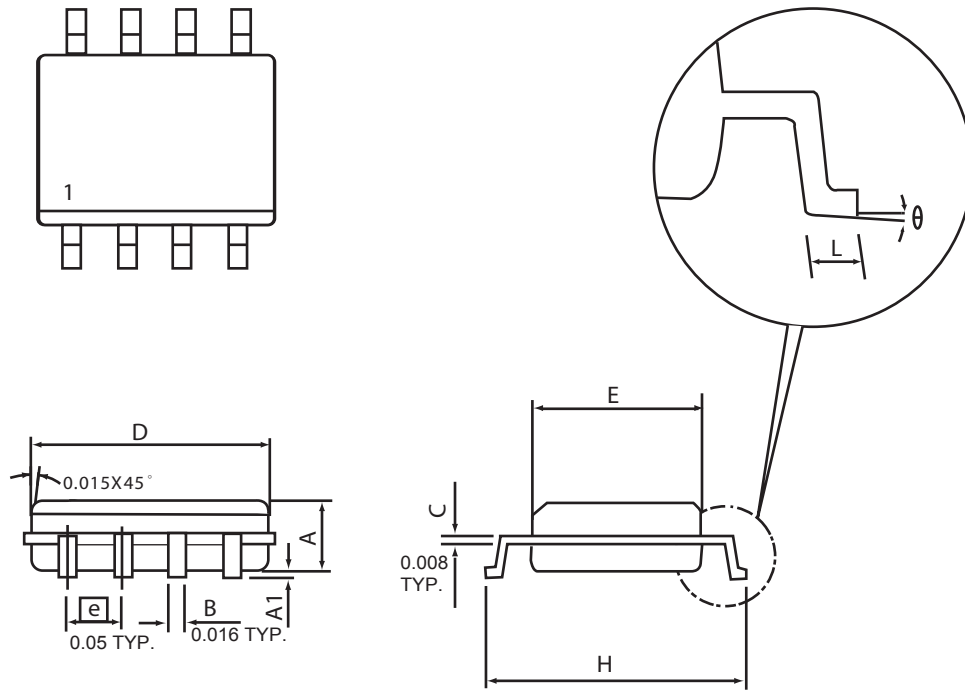


Figure 13. Normalized Thermal Transient Impedance Curve

STM4410A

PACKAGE OUTLINE DIMENSIONS

SO-8

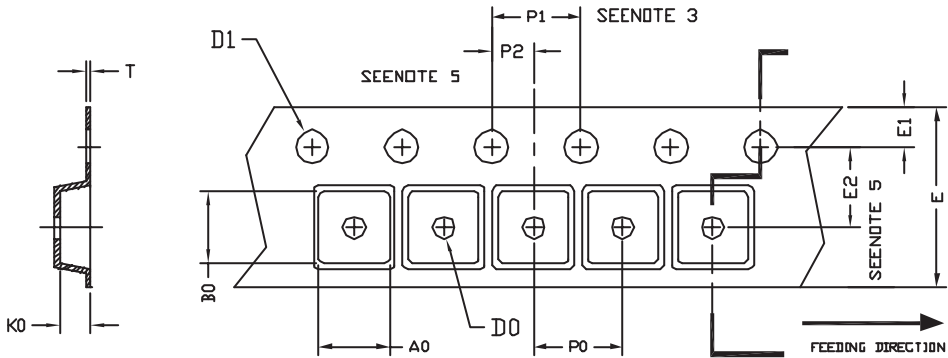


| SYMBOLS | MILLIMETERS | | INCHES | |
|----------|-------------|------|--------|-------|
| | MIN | MAX | MIN | MAX |
| A | 1.35 | 1.75 | 0.053 | 0.069 |
| A1 | 0.10 | 0.25 | 0.004 | 0.010 |
| D | 4.80 | 4.98 | 0.189 | 0.196 |
| E | 3.81 | 3.99 | 0.150 | 0.157 |
| H | 5.79 | 6.20 | 0.228 | 0.244 |
| L | 0.41 | 1.27 | 0.016 | 0.050 |
| θ | 0° | 8° | 0° | 8° |

STM4410A

SO-8 Tape and Reel Data

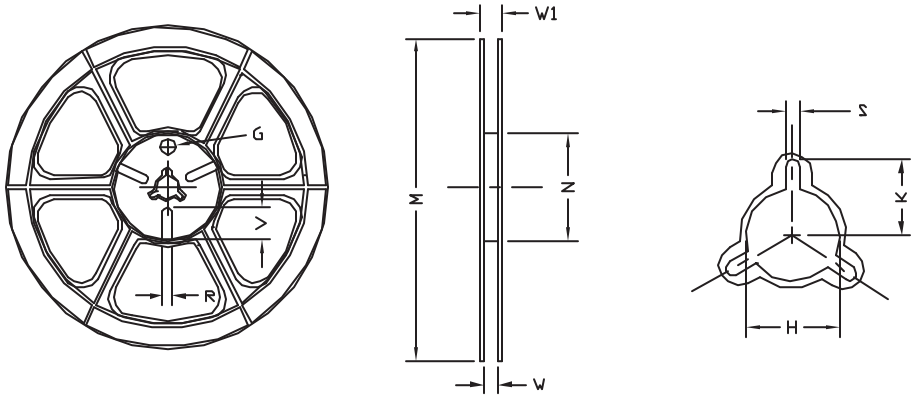
SO-8 Carrier Tape



unit:mm

| PACKAGE | A0 | B0 | K0 | D0 | D1 | E | E1 | E2 | P0 | P1 | P2 | T |
|------------------|------|------|------|---------------------|------------------------------|-------------------|------|-------------------|-----|-----|-------------------|-------------------|
| SOP 8N 150mil | 6.40 | 5.20 | 2.10 | $\phi 1.5$ (MIN) | $\phi 1.5$ + 0.1 - 0.0 | 12.0 ± 0.3 | 1.75 | 5.5 ± 0.05 | 8.0 | 4.0 | 2.0 ± 0.05 | 0.3 ± 0.05 |

SO-8 Reel



UNIT:mm

| TAPE SIZE | REEL SIZE | M | N | W | W1 | H | K | S | G | R | V |
|-----------|------------|----------------|-----------------|---------------|---------------|------------------------|-----|-------------------|-----|-----|-----|
| 12 mm | $\phi 330$ | 330 ± 1 | 62 ± 1.5 | 12.4 + 0.2 | 16.8 - 0.4 | $\phi 12.75$ + 0.15 | --- | 2.0 ± 0.15 | --- | --- | --- |