

65 X 128 SINGLE CHIP LCD CONTROLLER / DRIVER

PRODUCT PREVIEW

- 65 x 128 bits Display Data RAM
- Configurable matrix: 65 x 128 or 33 x 128
- Programmable (65/33) MUX rate
- Row by Row Scrolling
- Automatic data RAM Blanking procedure
- Selectable Input Interface:
 - I²C Bus Fast and Hs-mode (read and write)
 - Parallel Interface (write only)
 - Serial Interface (write only)
- Fully Integrated Oscillator requires no external components
- Fully Integrated Configurable LCD bias voltages generator with:
 - Selectable (5X, 4X, 3X, 2X) multiplication factor
 - Effective sensing for High Precision Output
 - Four selectable temperature compensation coefficients
- Designed for chip-on-glass (COG) applications
- Programmable bottom row pads mirroring and top row pads mirroring for compatible with both TCP and COG applications

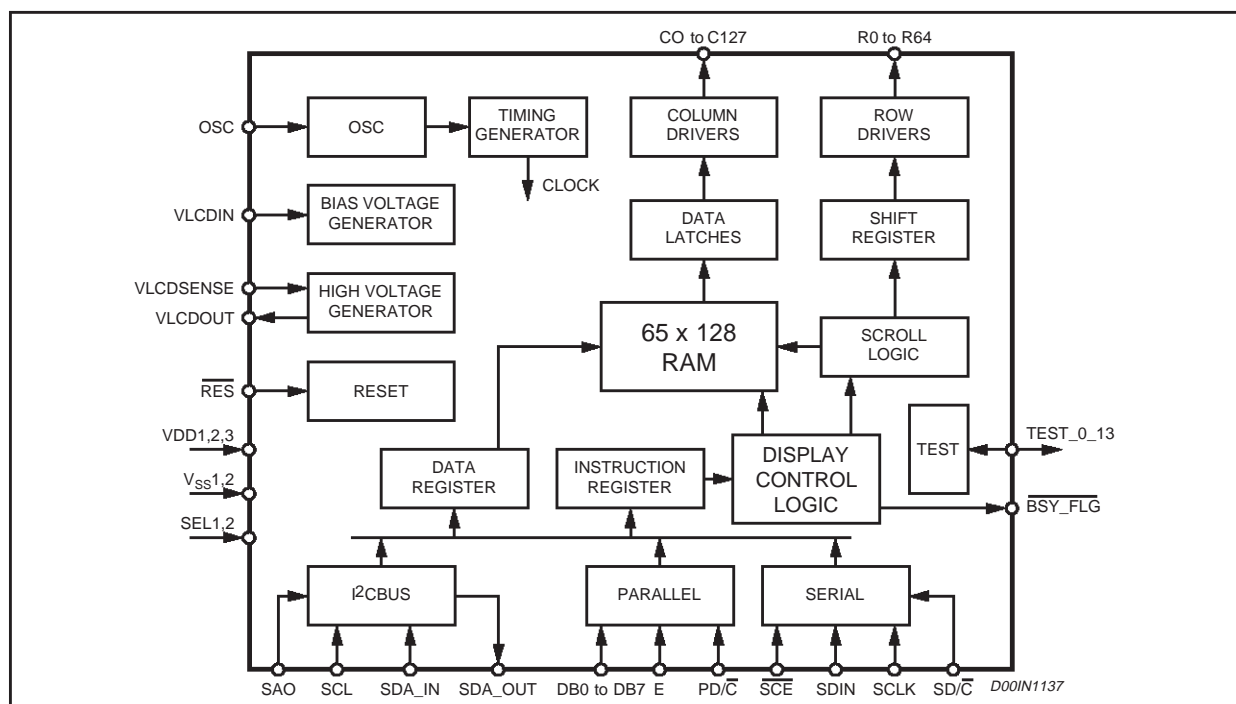
- Low Power Consumption, suitable for battery operated systems
- Logic Supply Voltage range from 1.9 to 5V
- High Voltage Generator Supply Voltage range from 2.4 to 4.5V
- Display Supply Voltage range from 4.5 to 9V

DESCRIPTION

The STE2001 is a low power CMOS LCD controller driver. Designed to drive a 65 rows by 128 columns graphic display, provides all necessary functions in a single chip, including on-chip LCD supply and bias voltages generators, resulting in a minimum of external components and in a very low power consumption. The STE2001 features three standard interfaces (Serial, parallel, I²C) for ease of interfacing with the host μ controller.

Type	Ordering Number
Bumped Wafers	STE2001DIE1
Bumped Dice on Waffle Pack	STE2001DIE2

Figure 1. Block Diagram



PIN DESCRIPTION

N°	Pad	Type	Function
R0 to R64	1 to 16 145 to 177 257 to 272	O	LCD Row Driver Output
C0 to C127	17 to 144	O	LCD Column Driver Output
VSS1,2	227 to 238	GND	Ground pads. VSS1 is GND for VDD1, VSS2 for VDD2 and VDD3
VDD1	186 to 191	Supply	IC Positive Power Supply
VDD2,3	192 to 201	Supply	Internal Generator Supply Voltages.
VLCDIN	246 to 251	Supply	LCD Supply Voltages for the Column and Row Output Drivers.
VLCDOUT	239 to 244	Supply	Voltage Multiplier Output
VLCDSENSE	245	Supply	Voltage Multiplier Regulation Input. V _{LCDOUT} Sensing for Output Voltage Fine Tuning
SEL1,2	183, 184	I	Interface Mode Selection
SDA_IN	223	I	I ² C Bus Data In
SDA_OUT	222	O	I ² C Bus Data Out
SCL	224	I	I ² C bus Clock
SA0	225	I	I ² C Slave Address LSB
OSC	185	I	External Oscillator Input
$\overline{\text{RES}}$	221	I	Reset Input. Active Low.
DB0 to DB7	211 to 218	I	Parallel Interface 8 Bit Data Bus
E	220	I	Parallel Interface Data Latch Signal. Data are Latched on the Falling EDGE.
$\text{PD}/\overline{\text{C}}$	219	I	Parallel Interface Data/Command Selector
SDIN	207	I	Serial Interface Data Input
SCLK	210	I	Serial Interface Clock
$\overline{\text{SCE}}$	209	I	Serial Interface ENABLE. When Low the Incoming Data are Clocked In.
$\text{SD}/\overline{\text{C}}$	208	I	Serial Interface Data/Command selection
$\overline{\text{BSYFLG}}$	206	O	Active Procedure Flag. Notice if There is an ongoing Internal Operation. Active Low.
T1 to T13	178 to 181 202 to 205 226 252 to 256	I/O	Test Pads.

ABSOLUTE MAXIMUM RATINGS

Symbol	Parameter	Value	Unit
V _{DD1}	Supply Voltage Range	- 0.5 to + 6.5	V
V _{DD2,3}	Supply Voltage Range	- 0.5 to + 5	V
V _{LCD}	LCD Supply Voltage Range	- 0.5 to + 10	V
I _{SS}	Supply Current	- 50 to +50	mA
V _i	Input Voltage (all input pads)	-0.5 to V _{DD2,3} + 0.5	V
I _{in}	DC Input Current	- 10 to + 10	mA
I _{out}	DC Output Current	- 10 to + 10	mA
P _{tot}	Total Power Dissipation (T _j = 85°C)	300	mW
P _o	Power Dissipation per Output	30	mW
T _j	Operating Junction Temperature	-40 to + 85	°C
T _{stg}	Storage Temperature	- 65 to 150	°C

ELECTRICAL CHARACTERISTICS**DC OPERATION**

(V_{DD1} = 1.9 to V_{DD2,3} + 0.5V; V_{DD2,3} = 2.4 to 4.5 V; V_{SS1,2} = 0V; V_{LCD} = 4.5 to 9V; T_{amb} = -40 to 85°C; unless otherwise specified)

Symbol	Parameter	Test Condition	Min.	Typ.	Max.	Unit
Supply Voltages						
V _{DD1}	Supply Voltage		1.9		V _{DD2,3} + 0.5	V
		T _{amb} = -20 to 85°C	1.8		V _{DD2,3} + 0.5	V
V _{DD2,3}	Supply Voltage	LCD Voltage Internally generated	2.4		4.5	V
V _{LCDIN}	LCD Supply Voltage	LCD Voltage Supplied externally	4.5		9	V
V _{LCDOUT}	LCD Supply Voltage	Internally generated; note 1	4.5		9	V
I(V _{DD1})	Supply Current	V _{DD} = 2.8V; V _{LCD} = 7.6V; 4x charge pump; f _{sclk} = 0; T _{amb} = 25°C; note 3.		8	15	μA
I(V _{DD2,3})	Voltage Generator Supply Current	with VOP = 0 and PRS = 0 with external V _{LCD} = 7.6V		10	15	μA
		V _{LCD} = 7.6V; V _{DD} = 2.8V; f _{sclk} = 0; T _{amb} = 25°C; no display load; 4x charge pump; note 3,6 F _{osc} = 0		70	115	μA

ELECTRICAL CHARACTERISTICS (continued)

Symbol	Parameter	Test Condition	Min.	Typ.	Max.	Unit
I(V _{DD1,2,3})	Total Supply Current	V _{LCD} = 7.6V; V _{DD} = 2.8V; 4x charge pump; f _{sclk} = 0; T _{amb} = 25°C; no display load; note 3,6 F _{osc} = 0		80	125	μA
I(V _{LDCIN})	External LCD Supply Voltage Current	V _{DD} = 2.8V; V _{LCD} = 7.6V; no display load; f _{sclk} = 0; T _{amb} = 25°C; note 3. F _{osc} = 0		15	25	μA
Logic Inputs						
V _{IL}	Logic LOW voltage level	V _{IN} = V _{ih} (t _p < 10μs)	V _{SS}		0.3 V _{DD}	V
V _{IH}	Logic HIGH Voltage Level	V _{IN} = V _{il} (t _p < 10μs)	0.7 V _{DD}		V _{DD2,3} + 0.5	V
I _{in}	Input Current	V _{in} = V _{SS1} or V _{DD1}	-1		1	μA
Column and Row Driver						
R _{row}	ROW Output Resistance			12	20	kohm
R _{col}	Column Output resistance			12	20	kohm
V _{col}	Column Bias voltage accuracy	No load	-100		100	mV
V _{row}	Row Bias voltage accuracy		-100		100	mV
LCD Supply Voltage						
V _{LCD}	LCD Supply Voltage accuracy; Internally generated	V _{DD} = 2.8V; V _{LCD} = 7.6V; f _{sclk} =0; T _{amb} =25 C; no display load; note 2, 3, 6 & 7	-300		300	mV
TC	Temperature coefficient	00		-550		PPM/°C
		01		-1350		PPM/°C
		10		-1650		PPM/°C
		11		-2650		PPM/°C

- Notes: 1. The maximum possible V_{LCD} voltage that can be generated is dependent on voltage, temperature and (display) load.
 2. Internal clock
 3. When f_{sclk} = 0 there is no interface clock.
 4. Power-down mode. During power-down all static currents are switched-off.
 5. If external V_{LCD}, the display load current is not transmitted to I_{DD}
 6. Tolerance depends on the temperature; (typically zero at T_{amb} = 27°C), maximum tolerance values are measured at the temperature range limit.
 7. For TC0 to TC3

AC OPERATION

(V_{DD1} = 1.9 to V_{DD2,3} + 0.5V; V_{DD2,3} = 2.4 to 4.5 V; V_{SS1,2} = 0V; V_{LCD} = 4.5 to 9V; T_{amb} = -40 to 85°C; unless otherwise specified)

Symbol	Parameter	Test Condition	Min.	Typ.	Max.	Unit
INTERNAL OSCILLATOR						
F _{OSC}	Internal Oscillator frequency	V _{DD} = 2.8V;	20	38	70	kHz
F _{EXT}	External Oscillator frequency		20	38	100	kHz



ELECTRICAL CHARACTERISTICS (continued)

Symbol	Parameter	Test Condition	Min.	Typ.	Max.	Unit
F _{FRAME}	Frame frequency	fosc or fext = 38 kHz; note 1		73		Hz
T _{VHRL}	V _{DD1} to RES Low	note 2 and 10; C _{VLCD} = 1μF	0		5	ms
T _{W(RES)}	RES LOW pulse width	note 3	600			ns
	Reset Pulse Rejection	T _{amb} = 25°C; note 11		370		μs
	Reset Pulse Rejection	note 11			200	μs
T _{START}	Reset Pulse vs. Device Ready		1			ms
T _{VDD}			0			

I²C BUS INTERFACE (See note 4)

F _{SCL}	SCL Clock Frequency	Fast Mode ; V _{DD1} =4.5V	DC		400	kHz
		V _{DD1} =18V; T _{amb} = -20 to 70°C			400	kHz
		High Speed Mode; C _b =100pF (max); note 6; V _{DD1} =4.5V	DC	3.4		MHz
		High Speed Mode; C _b =400pF (max); note 6 ; V _{DD1} =4.5V	DC		1.7	MHz
T _{SCLL}	C _b =100pF		160			ns
T _{SCLH}	C _b =100pF		160			ns
T _{SCLL}	C _b =400pF		320			ns
T _{SCLH}	C _b =400pF		320			ns
T _{SU;DAT}	C _b =100pF			30		ns
T _{HD;DAT}	C _b =100pF			30		ns
T _{SU;DAT}	C _b =400pF			30		ns
T _{HD;DAT}	C _b =400pF			30		ns
T _{SU;STA}	C _b =100pF	Note 8		170		ns
T _{SU;STA}	C _b =400pF	Note 8		330		ns
T _{HD;STA}	C _b =100pF	Note 8		170		ns
T _{HD;STA}	C _b =400pF	Note 8		330		ns
T _{SU;STO}	C _b =100pF	Note 8		170		ns
T _{SU;STO}	C _b =400pF	Note 8		330		ns
T _{rCL}	C _b =100pF	Note 5, 8		25		ns
T _{rCL}	C _b =400pF	Note 5, 8		50		ns
T _{rCL1}	C _b =100pF	Note 5, 8		30		ns
T _{rCL1}	C _b =400pF	Note 5, 8		120		ns
T _{rDA}	C _b =100pF	Note 5, 8		30		ns
T _{rDA}	C _b =400pF	Note 5, 8		120		ns
T _{fCL}	C _b =100pF	Note 5, 8		25		ns
T _{fCL}	C _b =400pF	Note 5, 8		50		ns

ELECTRICAL CHARACTERISTICS (continued)

Symbol	Parameter	Test Condition	Min.	Typ.	Max.	Unit
T _{fDA}	C _b =100pF			25		ns
T _{fDA}	C _b =400pF			120		ns
C _b	Capacitive load for SDAH and SCLH		100		400	pF
C _b	Capacitive load for SDAH + SDA line and SCLH + SCL line				400	pF
T _{SW}		note 5		10		ns

PARALLEL INTERFACE

T _{CY(EN)}	Enable Cycle Time	V _{DD} = 4.5V; Write	125			ns
T _{W(EN)}	Enable Pulse width	V _{DD} = 4.5V; Write	60			ns
T _{SU(A)}	Address Set-up Time	V _{DD} = 4.5V; Write	30			ns
T _{H(A)}	Address Hold Time	V _{DD} = 4.5V; Write	50			ns
T _{SU(D)}	Data Set-Up Time	V _{DD} = 4.5V; Write	30			ns
T _{H(D)}	Data Hold Time	V _{DD} = 4.5V; Write	50			ns

SERIAL INTERFACE

F _{SCLK}	Clock Frequency	V _{DD} = 4.5V			8	MHz
		V _{DD1} = 1.8V			5	MHz
T _{CYC}	Clock Cycle SCLK	V _{DD} = 4.5V	125			ns
T _{PWH1}	SCLK pulse width HIGH	V _{DD} = 4.5V	70			ns
T _{PWL1}	SCLK Pulse width LOW	V _{DD} = 4.5V	70			ns
T _{S2}	SCE setup time		50			ns
T _{H2}	SCE hold time		50			ns
T _{PWH2}	SCE minimum high time		60			ns
T _{H5}	SCE start hold time	Note 8	60			ns
T _{S3}	SD/C setup time		60			ns
T _{H3}	SD/C hold time		40			ns
T _{S4}	SDIN setup time		40			ns
T _{H4}	SDIN hold time		40			ns

Notes: 1. $F_{frame} = \frac{f_{osc}}{520}$

2. \overline{RES} may be LOW or HIGH before V_{DD1} goes HIGH.
3. If T_{w(RES)} is longer than 500ns (typical) a reset may be generated.
4. All timing values are valid within the operating supply voltage and ambient temperature ranges and referenced to V_{IL} and V_{IH} with an input voltage swing of V_{SS} to V_{DD}
5. The rise and fall times specified here refer to the driver device and are part of general Hs-mode specification.
6. The device inputs SDA and SCL are filtered and will reject any spike on the bus-lines of with T_{SW}
7. C_b is the capacitive load for each bus line.
8. T_{H5} is the time from the previous SCLK positive edge to the negative edge of \overline{SCE}
9. For bus line loads C_b between 100 and 400pF the timing parameters must be linearly interpolated
10. C_{VLCD} is the filtering capacitor on VLCDOUT
11. If T_{w(RES)} is shorter than max. value a reset pulse is rejected.

CIRCUIT DESCRIPTION

Supplies Voltages and Grounds

V_{DD2} and V_{DD3} are supply voltages to the internal voltage generator (see below). They must be externally connected. If the internal voltage generator is not used, these should be connected to V_{DD1} pad. V_{DD1} supplies the rest of the IC. This supply voltage could be different from V_{DD2} and V_{DD3} . V_{DD1} must be lower than $V_{DD2,3} + 0.5V$.

Internal Supply Voltage Generator

The IC has a fully integrated (no external capacitors required) charge pump for the Liquid Crystal Display supply voltage generation. The multiplying factor can be programmed to be: X5; X4; X3; X2, using the 'set CP Multiplication' Command. The output voltage (V_{LCDOUT}) is tightly controlled through the $V_{LCDSense}$ pad. For this voltage, four different temperature coefficients (TC, rate of change with temperature) can be programmed using the bits TC1 and TC0. This will ensure no contrast degradation over the LCD operating range. Using the internal charge pump, the V_{CDIN} and V_{LCDOUT} pads must be connected together. An external supply could be connected to V_{CDIN} to supply the LCD without using the internal generator. In such event the V_{DOUT} and $V_{LCDSense}$ must be connected to GND and the internal voltage generator must be programmed to zero (PRS = 0, Vop = 0 - Reset condition).

Oscillator

A fully integrated oscillator (requires no external components) is present to provide the clock for the Display System. When used the OSC pad must be connected to V_{DD1} pad. An external oscillator could be used and fed into the OSC pin.

Display Data RAM

The STE2001, provides an 65X128 bits Static RAM to store Display data. This is organized into 8 (Bank0 to Bank7) banks with 128 Bytes and one Bank (Bank8) with 128 Bits to be used for icons. RAM access is accomplished in either one of the Bus Interfaces provided (see below). Allowed addresses are X0 to X127 (Horizontal) and Y0 to Y8 (Vertical). When writing to RAM, four addressing mode are provided:

- Normal Horizontal (MX = 0 and V = 0), having the column with address X = 0 located on the left of the memory map. The X pointer is increased after each byte written. After the last column address (X = 127), Y address pointer is modified to jump to next row. X restarts from X = 0 (Fig.2).
- Normal Vertical (MX = 0 and V = 1), having the column with address X = 0 located on the left of the memory map. The Y pointer is increased after each byte written. After the last row address (Y = 8), the X pointer is modified to jump to next column and Y restarting from Y = 0. (Fig. 3).
- Mirrored Horizontal (MX = 1 and V = 0), having the column with address X = 0 located on the right of the memory map. The X pointer is increased after each byte written. After the last column address (X = 127), Y address pointer is modified to jump to next row. X restarts from X = 0 (fig. 4).
- Mirrored Vertical (MX = 1 and V = 1), having the column with address X = 0 located on the right of the memory map. The Y pointer is increased after each byte written. After the last row address (Y = 8), the X pointer is modified to jump to next column and Y restarting from Y = 0. (Fig. 5).

After the last allowed address (X;Y) = (128;8), the address pointers always jump to the cell with address (X;Y) = (0;0). Data bytes in the memory could have the MSB either on top (D0 = 0, Fig. 6) or on the bottom (D0 = 1, Fig. 7).

Mux 65 Mode

The STE2001 provides also means to alter the normal output addressing. A mirroring of the Display along the X axis is enabled setting to a logic one the MY bit. This function is achieved reading the matrix from physical row 63 to 0, since the relation between the physical memory rows and the output row drivers is only dependent on the memory reading sequence (1st row read output on R0, 2nd on R1... last on R65). This function doesn't affect the content of the memory map. It is only related to the visualization process (Fig. 8 & Fig. 9).

It is also possible to modify the way with which row drivers are connected with DDRAM memory. A flip along y-axis of each sub-block can be applied on both the Row Pads located on the Interface Side (the edge of the chip where the Interface Pads are located), setting the TRS bit to a logic one, and on the Row Pads located on the other edge, setting the BRS bit to a logic one.

Figure 2 Automatic data RAM writing sequence with V=0 and Data RAM Normal Format (MX=0) Figure 3 Automatic data RAM writing sequence with V=1 and Data RAM Normal Format (MX=0)

Figure 2. Automatic data RAM writing sequence with V=0 and Data RAM Normal Format (MX=0)

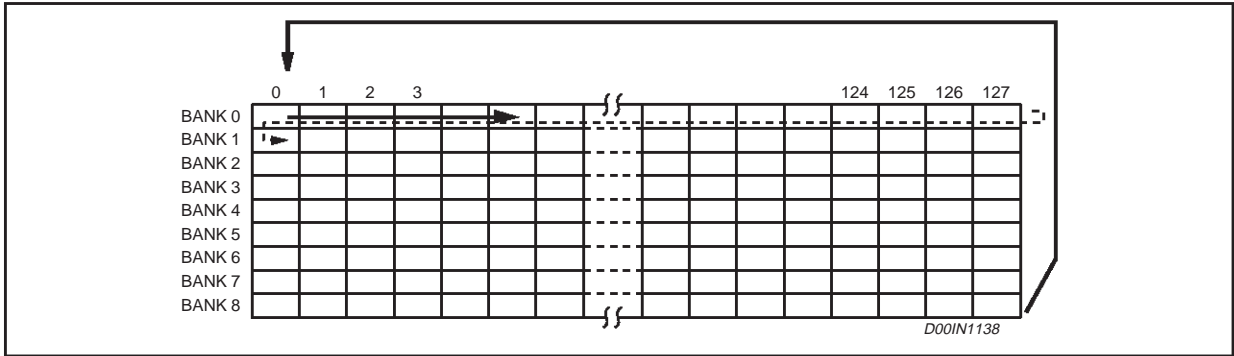


Figure 3. Automatic data RAM writing sequence with V=1 and Data RAM Normal Format (MX=0)

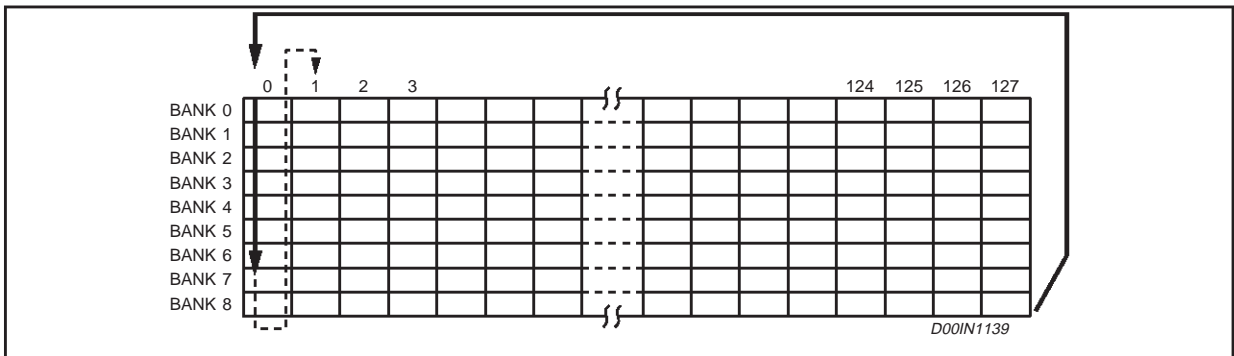


Figure 4. Automatic data RAM writing sequence with V=0 and Data RAM Mirrored Format (MX=1)

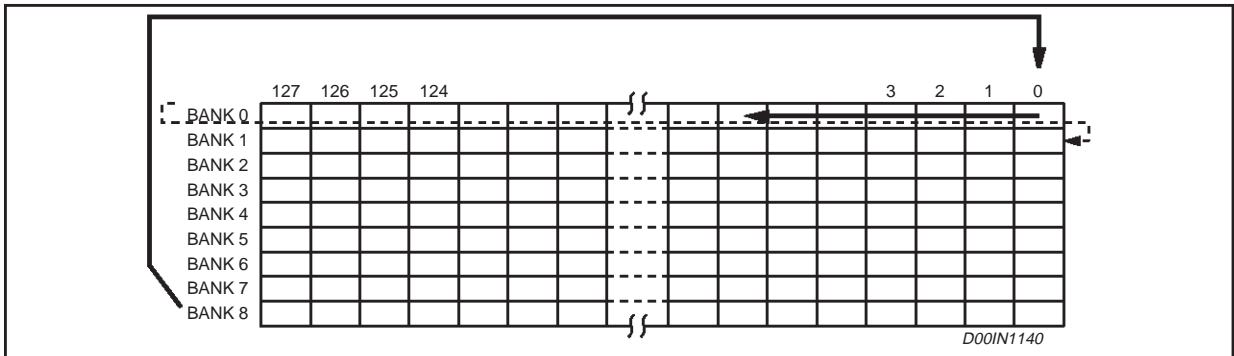


Figure 5. Automatic data RAM writing sequence with V=1 and Data RAM Mirrored Format (MX=1)

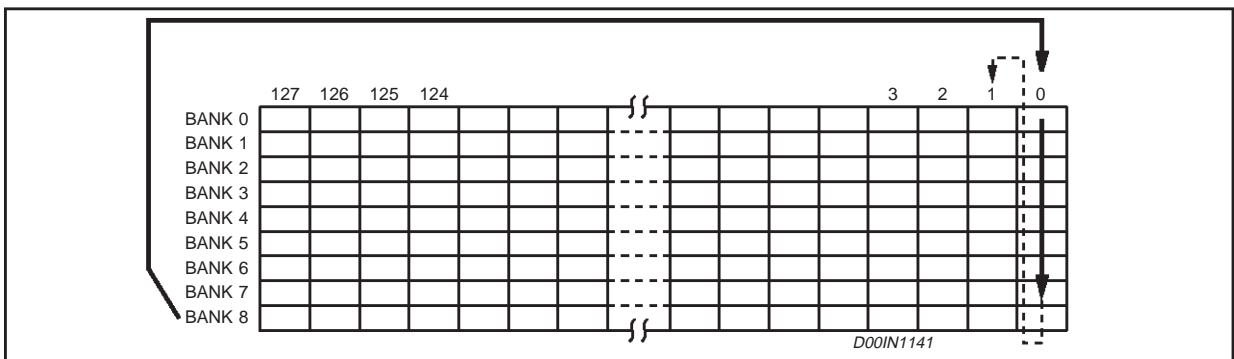


Figure 6. Data RAM Byte organization with D0 = 0

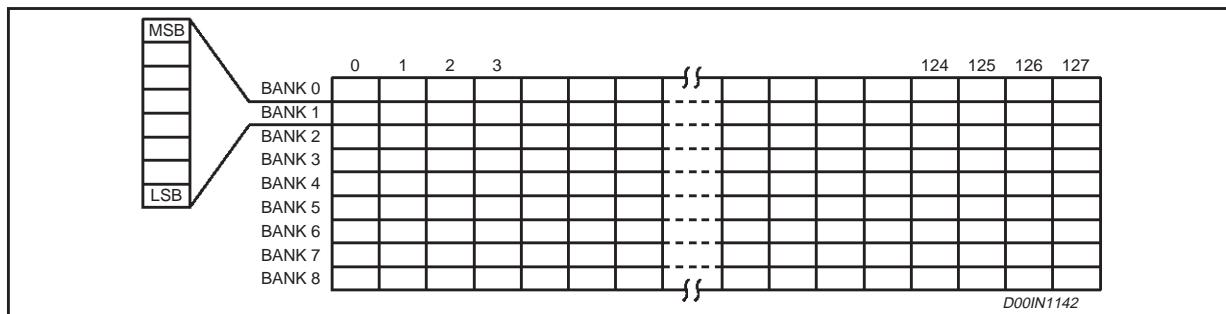


Figure 7. Data RAM Byte organization with D0 = 1

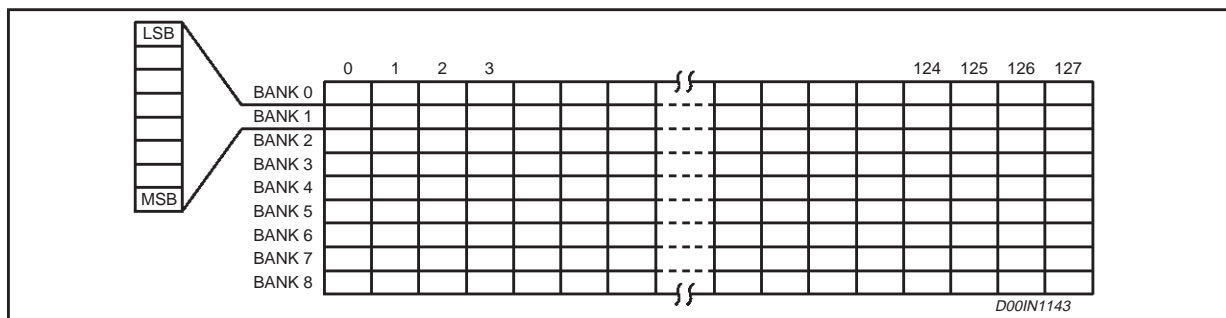


Figure 8. Output drivers rows and physical memory rows correspondence with MY = 0

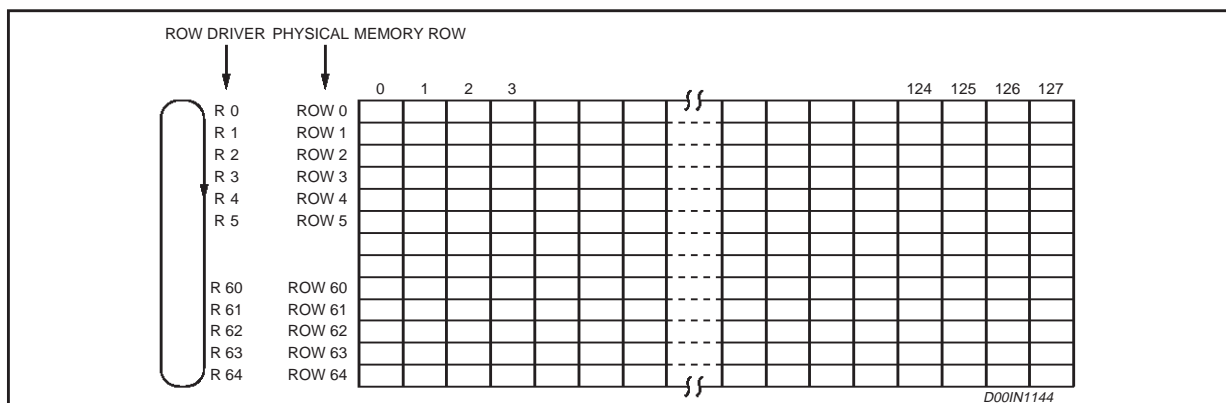
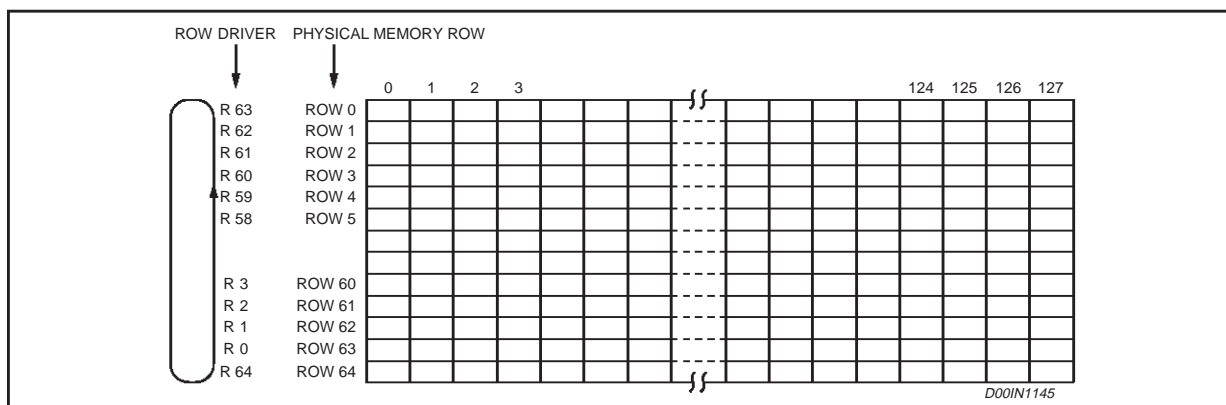


Figure 9. Output drivers rows and physical memory rows correspondence with MY = 1



MUX 33 Mode

When using the 1:33 MUX ratio (MUX bit Set), the memory map is changed so that the only "active" row drivers are the ones related to Bank4 to Bank7.

When writing data RAM, as for Mux 65, four addressing mode are provided. The memory matrix is written as in mux 65 mode so the user must take care of updating X and Y pointers to fill the memory matrix in the correct way.

In MUX 33 mode only the MUX 33 memory logic matrix is read. The MY bit control the reading process. If MY is set to a logic zero the row reading sequence is 0-1-2.....33 (fig.11). If MY is set to a logic one the reading sequence is 32....1-33 (Fig 12).

The icon row (BANK8) is always the last being output either MY bit is a logic one or zero.

The functions related to bit TRS is the same as in MUX 65 mode.

In fig. 11 is shown the output drivers pad connection for MUX 33 mode. Note that the unused BANK 0-3 row drivers become columns drivers.

If a 33x128 LCD matrix is driven, the output row drivers R0-R15 and R32-R47 must be floating.

Figure 10. Physical 65x128 memory matrix and 33x128 correspondence

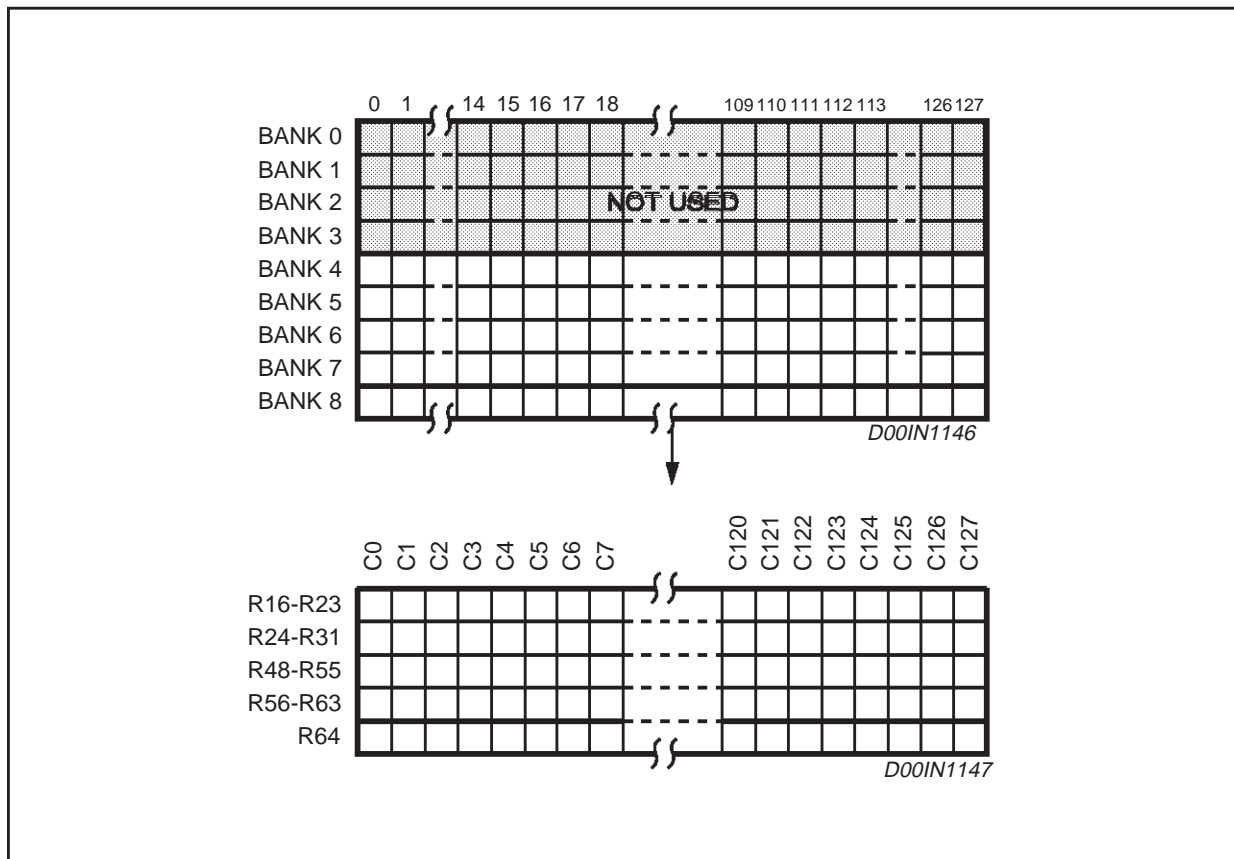


Figure 11. Output drivers rows and logical memory rows correspondence with MY = 0

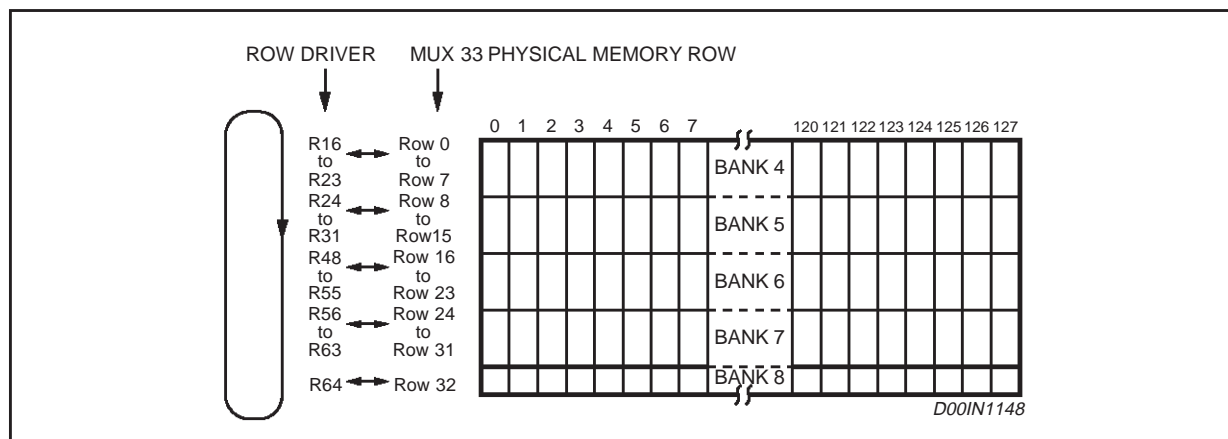
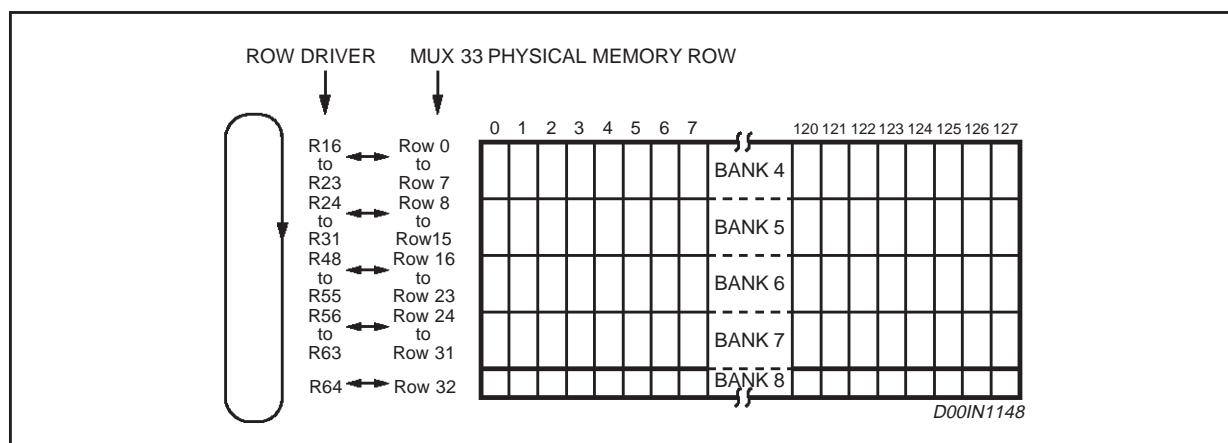


Figure 12. Output drivers rows and logical memory rows correspondence with MY = 1



Instruction Set

Two different instructions formats are provided:

- With $\overline{D/C}$ set to LOW

commands are sent to the Control circuitry.

- With $\overline{D/C}$ set to HIGH

the Data RAM is addressed Instructions have the syntax summarized in Table.1.

Reset (RES)

At power-on, all internal registers and RAM content are not defined. A Reset pulse must be applied on RES pad (active low) to initialize the internal registers content (see Tables 3,4,5,&6). Every on-going communication with the host controller is interrupted. The IC after the reset pulse is programmed in Power Down mode.

The Default configurations is:

- Horizontal addressing ($V = 0$)
- Normal instruction set ($H = 0$)
- Normal display ($MX = MY = TRS = BRS = 0$)
- MUX 65 mode ($MUX = 0$)

- Display blank (E = D = 0)
- Address counter X[6: 0] = 0 and Y[3 : 0] = 0
- Temperature coefficient (TC[1 : 0] = 0)
- Bias system (BS[2 : 0] = 0)
- V_{OP} = 0
- Power Down (PD = 1)

To clear the RAM content a MEMORY BLANK instruction should be executed.

Power Down (PD = 1)

When at Power Down, all LCD outputs are kept at V_{SS} (display off). Bias generator and V_{LCD} generator are OFF (V_{LCDOUT} output is discharged to V_{SS}, and then is possible to disconnect V_{LCDOUT}). The internal Oscillator is in off state. An external clock can be provided. The RAM contents is not cleared.

Charge Pump Factor

The desired Charge Pump Multiplication Factor can be programmed though the S1 and S0 bits, as follows:

S1	S0	Multiplication Factor
0	0	2X
0	1	3X
1	0	4X
1	1	5X

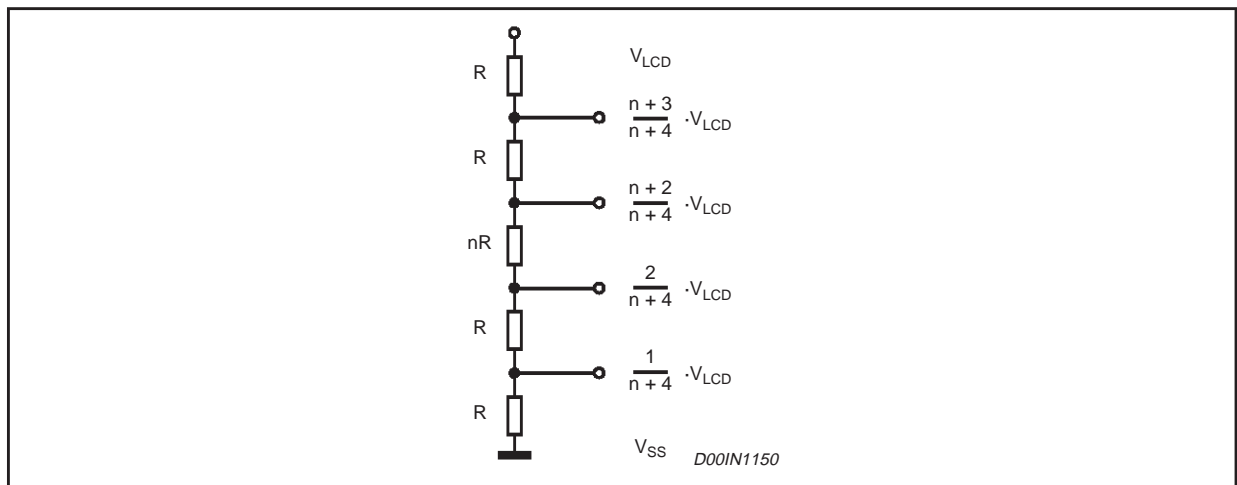
At Reset the X2 factor is selected.

Bias Levels

To properly drive the LCD, six (Including VLCD and VSS) different voltage (Bias) levels are generated. The ratios among these levels and VLCD, should be selected according to the MUX ratio (m). They are established to be (Fig. 14):

$$V_{LCD}, \frac{n+3}{n+4} V_{LCD}, \frac{n+2}{n+4} V_{LCD}, \frac{2}{n+4} V_{LCD}, \frac{1}{n+4} V_{LCD}, V_{SS}$$

Figure 13. Bias level Generator



thus providing an $1/(n+4)$ ratio, with n calculated from:

$$n = \sqrt{m} - 3$$

For m = 65, n = 5 and an 1/9 ratio is set.

For m = 33, n = 3 and an 1/7 ratio is set.

The STE2001 provides three bits (BS0, BS1, BS2) for programming the desired Bias Ratio as shown below:

BS2	BS1	BS0	n
0	0	0	7
0	0	1	6
0	1	0	5
0	1	1	4
1	0	0	3
1	0	1	2
1	1	0	1
1	1	1	0

The following table Bias Level for m = 65 and m = 33 are provided:

Symbol	m = 65 (1/9)	m = 33 (1/7)
V1	V_{LCD}	V_{LCD}
V2	$8/9 \cdot V_{LCD}$	$6/7 \cdot V_{LCD}$
V3	$7/9 \cdot V_{LCD}$	$5/7 \cdot V_{LCD}$
V4	$2/9 \cdot V_{LCD}$	$2/7 \cdot V_{LCD}$
V5	$1/9 \cdot V_{LCD}$	$1/7 \cdot V_{LCD}$
V6	V_{SS}	V_{SS}

LCD Voltage Generation

The LCD Voltage at reference temperature ($T_0 = 35^\circ\text{C}$) can be set using the VOP register content according to the following formula:

$$V_{LCD}(T=T_0) = V_{LCD0} = (A_i + V_{OP} \cdot B) \quad (i=0,1)$$

with the following values:

Symbol	Value	Unit	Note
A ₀	2.90	V	PRS = 0
A ₁	6.91	V	PRS = 1
B	0.034	V	
T ₀	35	°C	

Note that the two PRS value produces two adjacent ranges for VLCD. If the register and PRS bit are set to zero

the internal voltage generator is switched off.

The proper value for the VLCD is a function of the Liquid Crystal Threshold Voltage (Vth) and of the Multiplexing Rate. A general expression for this is:

$$V_{LCD} = \frac{1 + \sqrt{m}}{\sqrt{2 \cdot \left(1 - \frac{1}{\sqrt{m}}\right)}} \cdot V_{th}$$

For MUX Rate m = 65 the ideal VLCD is:

$$V_{LCD(to)} = 6.85 \cdot V_{th}$$

than:

$$V_{op} = \frac{(6.85 \cdot V_{th} - A_i)}{0.03}$$

Temperature Coefficient

As the viscosity, and therefore the contrast, of the LCD are subject to change with temperature, there's the need to vary the LCD Voltage with temperature. The STE2001 provides the possibility to change the VLCD in a linear fashion against temperature with four different Temperature Coefficient selectable through the TC0 and TC1 bits.

TC1	TC0	Value	Unit
0	0	-550	PPM/°C
0	1	-1350	PPM/°C
1	0	-1650	PPM/°C
1	1	-2650	PPM/°C

Figure 14. VLCD Slopes Cross Point with Different TC

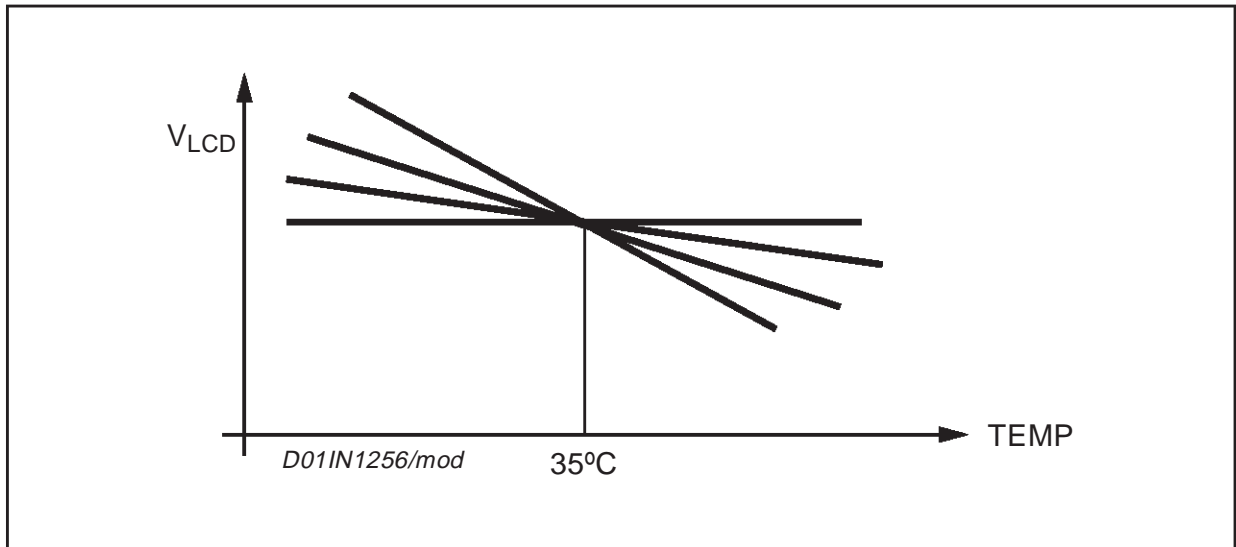
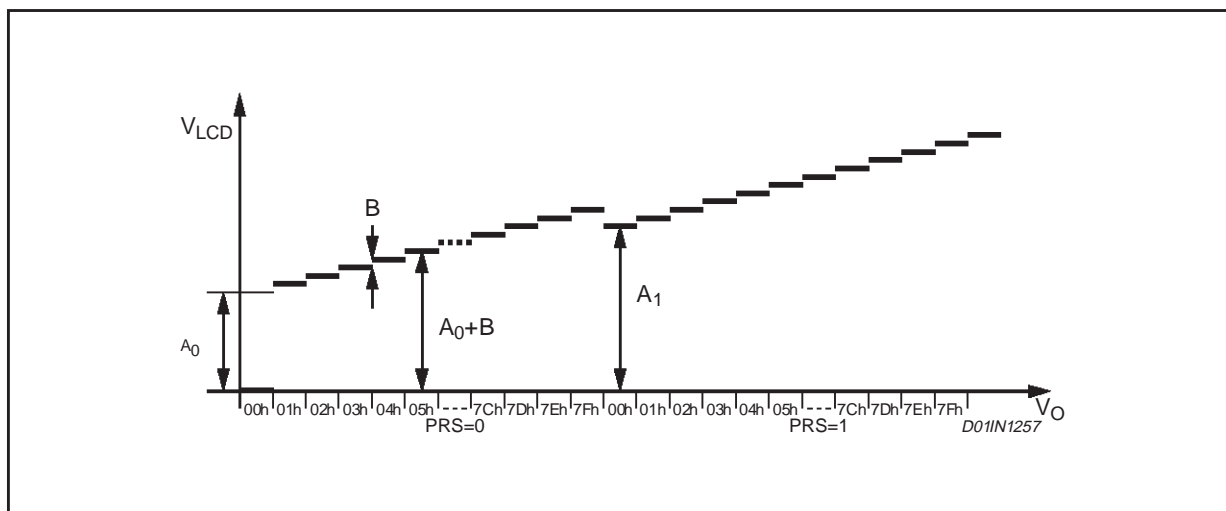


Figure 15.



Finally, the V_{LCD} voltage at a given (T) temperature can be calculated as:

$$V_{LCD}(T) = V_{LCD0} \cdot [1 + (T-T_0) \cdot TC]$$

Memory Blanking Procedure

This instruction allows to fill the memory with "blank" patterns, in order to delete patterns randomly generated in memory when starting up the device. This instruction substitutes (128X9) single "write" instructions. It is possible to program "Memory Blanking Procedure" only under the following conditions:

- X address = 0
- Y address = 0
- V bit = 0
- PD bit = 0
- MX bit = 0

The end of the procedure will be notified on the $\overline{BSY_FLG}$ pad going HIGH (while LOW the procedure is running). Any instruction programmed with $\overline{BSY_FLG}$ LOW will be ignored that is, no instruction can be programmed for a period equivalent to 128X9 internal write cycles (128X9X1/fclock). The start of Memory blanking procedure will be between one and two fclock cycles from the last active edge (E rising edge for the parallel interface, last SCLK rising edge for the Serial interface, last SCL rising edge for the I²C interface).

Checker Board Procedure

This instruction allows to fill the memory with "checker-board" pattern. It is mainly intended to developers, who can now simply obtain complex module test configuration by means of a single instruction. It is possible to program "Checker Board Procedure" only under the following conditions:

- X address = 0
- Y address = 0
- V bit = 0
- PD bit = 0
- MX bit = 0

The end of the procedure will be notified on the BSY_FLG pad going HIGH, while LOW the procedure is running. Any instruction programmed with BSY_FLG LOW will be ignored, that is, no instruction can be programmed for a period equivalent to 128X9 internal write cycles (128X9X1/fdock). The start of Memory blanking procedure will be between one and two fclock cycles from the last active edge (E rising edge for the parallel interface, last SCLK rising edge for the Serial interface, last SCL rising edge for the I²C interface).

Scroll

The STE2001 can scroll the graphics display in units of raster-rows. The scrolling function is achieved changing the correspondence between the rows of the logical memory map and the output row drivers. The scroll function doesn't affect the data ram content. It is only related to the visualization process. The information output on the drivers is related to the row reading sequence (the 1st row read is output on R0, the 2nd on R1 and so on). Scrolling means reading the matrix starting from a row that is sequentially increased or decreased. After every scrolling command the offset between the memory address and the memory scanning pointer is increased or decreased by one. The offset range is between 0 to 63 in mux 65 mode and 0-31 in mux 33 mode. After the 64th scrolling command in mux 65 mode and after the 32th in mux 33 mode, the offset between the memory address and the memory scanning pointer is again zero (Cyclic Scrolling). Bank8 is always accessed last in each frame, and so isn't scrolled.

If the DIR Bit is set to a logic zero the offset register is increased by one and the raster is scrolled from top down. If the DIR Bit is set to a logic one the offset register is decreased by one and the raster is scrolled from bottom-up.

Bus Interfaces

To provide the widest flexibility and ease of use the STE2001 features three different methods for interfacing the host Controller. To select the desired interface the SEL1 and SEL2 pads need to be connected to a logic LOW (connect to GND) or a logic HIGH (connect to VDD). All the I/O pins of the unused interfaces must be connected to GND. If I/O pins voltage is lower than VDD interfaces could sink more current than expected.

All interfaces are working while the STE2001 is in Power Down.

SEL2	SEL1	Interface	Note
0	0	I ² C	Read and Write; Fast and High Speed Mode
0	1	Serial	Write only
1	1	Parallel	Write only
1	0	Not Used	

I²C Interface

The I²C interface is a fully complying I²C bus specification, selectable to work in both Fast (400kHz Clock) and High Speed Mode (3.4MHz).

This bus is intended for communication between different Ics. It consists of two lines: one bi-directional for data signals (SDA) and one for clock signals (SCL). Both the SDA and SCL lines must be connected to a positive supply voltage via an active or passive pull-up.

The following protocol has been defined:

- Data transfer may be initiated only when the bus is not busy.
- During data transfer, the data line must remain stable whenever the clock line is high. Changes in the data line while the clock line is high will be interpreted as control signals.

Accordingly, the following bus conditions have been defined:

BUS not busy: Both data and clock lines remain High.

Start Data Transfer: A change in the state of the data line, from High to Low, while the clock is High, define the START condition.

Stop Data Transfer: A Change in the state of the data line, from low to High, while the clock signal is High, defines the STOP condition.

Data Valid: The state of the data line represents valid data when after a start condition, the data line is stable for the duration of the High period of the clock signal. The data on the line may be changed during the Low period of the clock signal. There is one clock pulse per bit of data.

Each data transfer is initiated with a start condition and terminated with a stop condition. The number of data bytes transferred between the start and the stop conditions is not limited. The information is transmitted byte-wide and each receiver acknowledges with the ninth bit.

By definition, a device that gives out a message is called "transmitter", the receiving device that gets the signals is called "receiver". The device that controls the message is called "master". The devices that are controlled by the master are called "slaves"

Acknowledge. Each byte of eight bits is followed by one acknowledge bit. This acknowledge bit is a low level put on the bus by the receiver, whereas the master generates an extra acknowledge related clock pulse.

A slave receiver which is addressed must generate an acknowledge after the reception of each byte. Also, a master receiver must generate an acknowledge after the reception of each byte that has been clocked out of the slave transmitter. The device that acknowledges has to pull down the SDA_IN line during the acknowledge clock pulse. Of course, setup and hold time must be taken into account. A master receiver must signal an end-of-data to the slave transmitter by not generating an acknowledge on the last byte that has been clocked out of the slave. In this case, the transmitter must leave the data line High to enable the master to generate the STOP condition.

Connecting SDA_IN and SDA_OUT together the SDA line become the standard data line. Having the acknowledge output (SDAOUT) separated from the serial data line is advantageous in Chip-On-Glass (COG) applications. In COG applications where the track resistance from the SDAOUT pad to the system SDA line can be significant, a potential divider is generated by the bus pull-up resistor and the Indium Tin Oxide (ITO) track resistance. It is possible that during the acknowledge cycle the STE2001 will not be able to create a valid logic 0 level. By splitting the SDA input from the output the device could be used in a mode that ignores the acknowledge bit. In COG applications where the acknowledge cycle is required, it is necessary to minimize the track resistance from the SDACK pad to the system SDA line to guarantee a valid LOW level.

To be compliant with the I²C-bus Hs-mode specification the STE2001 is able to detect the special sequence "S00001xxx". After this sequence no acknowledge pulse is generated.

Since no internal modification are applied to work in Hs-mode, the device is able to work in Hs-mode without detecting the master code.

Figure 16. Bit transfer and START,STOP conditions definition

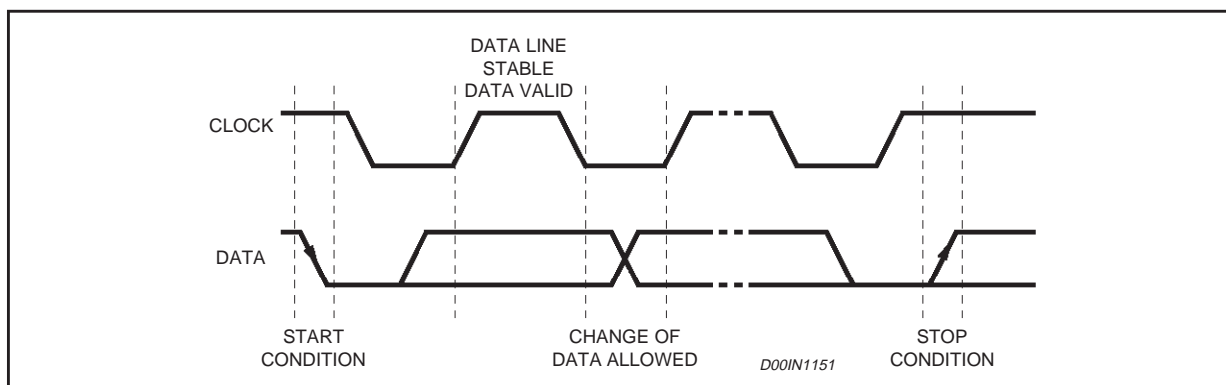


Figure 17. Acknowledgment on the I²C-bus

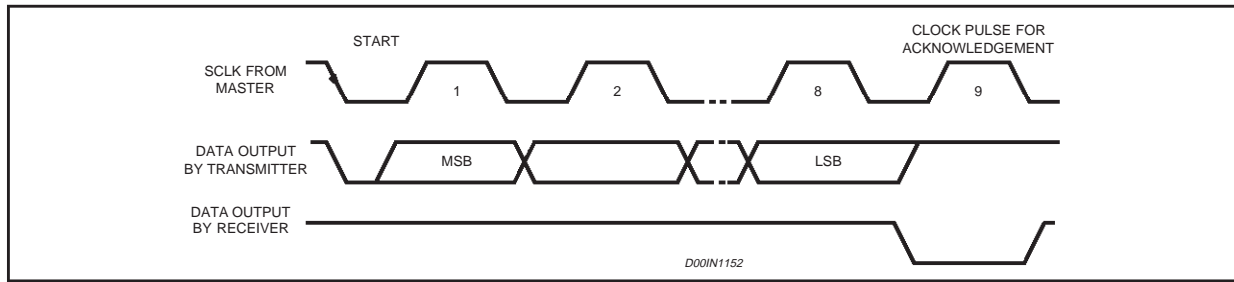
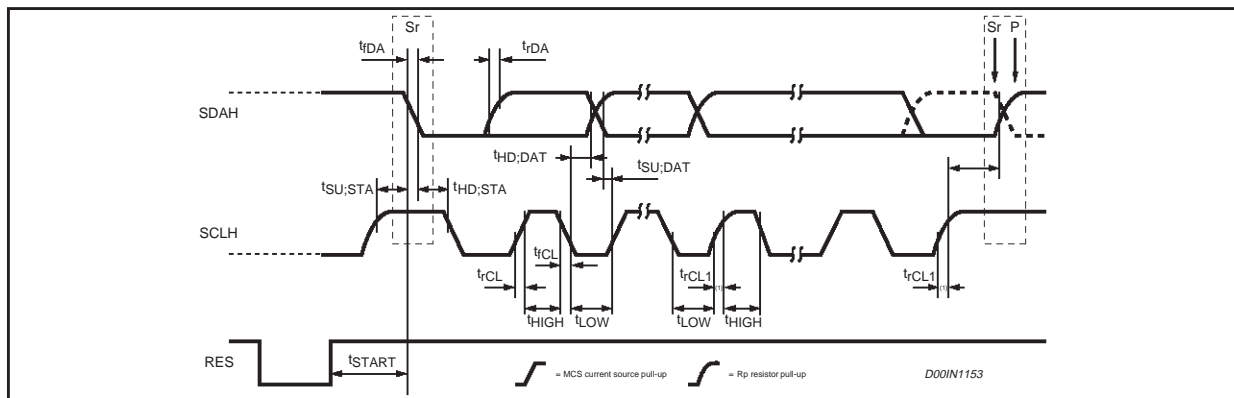


Figure 18. I²C-bus timings



Communication Protocol

The STE2001 is an I²C slave. The access to the device is bi-directional since data write and status read are allowed. Two are the device addresses available for the device. Both have in common the first 6 bits (011110). The least significant bit of the slave address is set by connecting the SA0 input to a logic 0 or to a logic 1. To start the communication between the bus master and the slave LCD driver, the master must initiate a START condition. Following this, the master sends an 8-bit byte, shown in Fig. 18, on the SDA bus line (Most significant bit first). This consists of the 7-bit Device select Code, and the 1-bit Read/Write Designator (R/W). All slaves with the corresponding address acknowledge in parallel, all the others will ignore the I²C-bus transfer.

Writing Mode.

If the R/W bit is set to logic 0 the STE2001 is set to be a receiver. After the slaves acknowledge one or more command word follows to define the status of the device.

A command word is composed by two bytes. The first is a control byte which defines the Co and D/C values, the second is a data byte (fig 18). The Co bit is the command MSB and defines if after this command will follow one data byte and an other command word or if will follow a stream of data (Co = 1 Command word, Co = 0 Stream of data). The D/C bit defines whether the data byte is a command or RAM data (D/C = 1 RAM Data, D/C = 0 Command).

If Co = 1 and D/C = 0 the incoming data byte is decoded as a command, and if Co = 1 and D/C = 1, the following data byte will be stored in the data RAM at the location specified by the data pointer.

Every byte of a command word must be acknowledged by all addressed units.

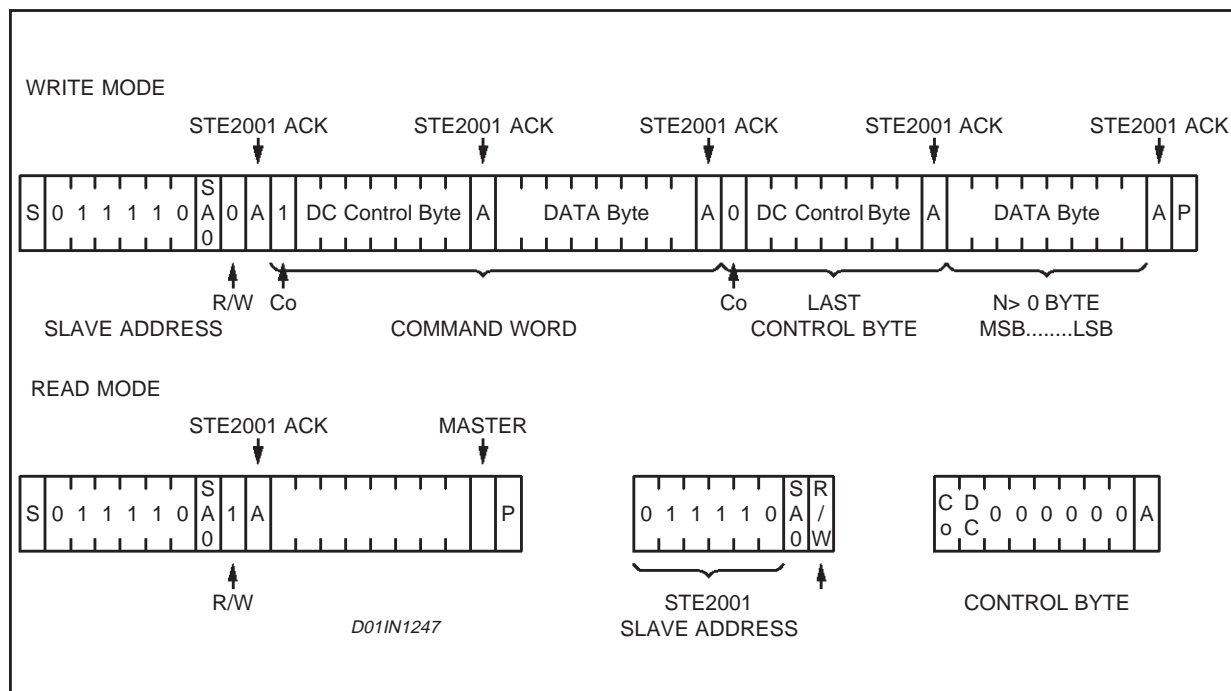
After the last control byte, if D/C is set to a logic 1 the incoming data bytes are stored inside the STE2001 Display RAM starting at the address specified by the data pointer. The data pointer is automatically updated after every byte written and in the end points to the last RAM location written.

Every byte must be acknowledged by all addressed units.

Reading Mode.

If the R/W bit is set to logic 1 the chip will output data immediately after the slave address. If the D/C bit sent during the last write access, is set to a logic 0, the byte read is the status byte.

Figure 19. communication protocol



SERIAL INTERFACE

The STE2001 serial Interface is a unidirectional link between the display driver and the application supervisor. It consists of four lines: one for data signals (SDIN), one for clock signals (SCLK), one for the peripheral enable ($\overline{\text{SCE}}$) and one for mode selection ($\overline{\text{SD}/\overline{\text{C}}}$).

The serial interface is active only if the $\overline{\text{SCE}}$ line is set to a logic 0. When $\overline{\text{SCE}}$ line is high the serial peripheral power consumption is zero.

The STE2001 is always a slave on the bus and receive the communication clock on the SCLK pin from the master. The STE2001 is only able to receive data.

Information are exchanged byte-wide. During data transfer, the data line is sampled on the positive SCLK edge. While $\overline{\text{SCE}}$ pin is high the serial interface is kept in reset.

$\overline{\text{SD}/\overline{\text{C}}}$ line status indicates whether the byte is a command ($\overline{\text{SD}/\overline{\text{C}}} = 0$) or RAM data ($\overline{\text{SD}/\overline{\text{C}}} = 1$); it is read on the eighth SCLK clock pulse during every byte transfer.

If $\overline{\text{SCE}}$ stays low after the last bit of a command/data byte, the serial interface expects the MSB of the next byte at the next SCLK positive edge.

A reset pulse on $\overline{\text{RES}}$ pin interrupts the transmission. No data is written into the data RAM and all the internal registers are cleared.

If $\overline{\text{SCE}}$ is low after the positive edge of $\overline{\text{RES}}$, the serial interface is ready to receive data.

Figure 20. Serial bus protocol - one byte transmission

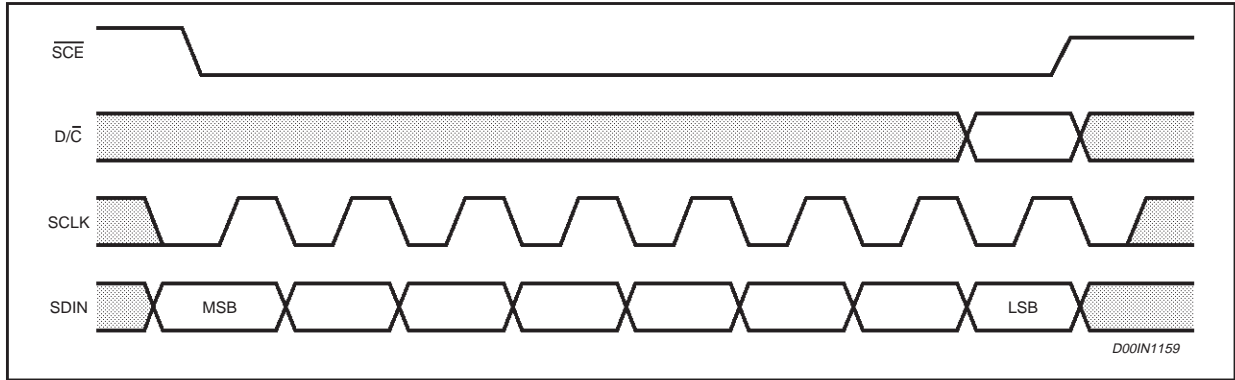


Figure 21. Serial bus protocol - several byte transmission

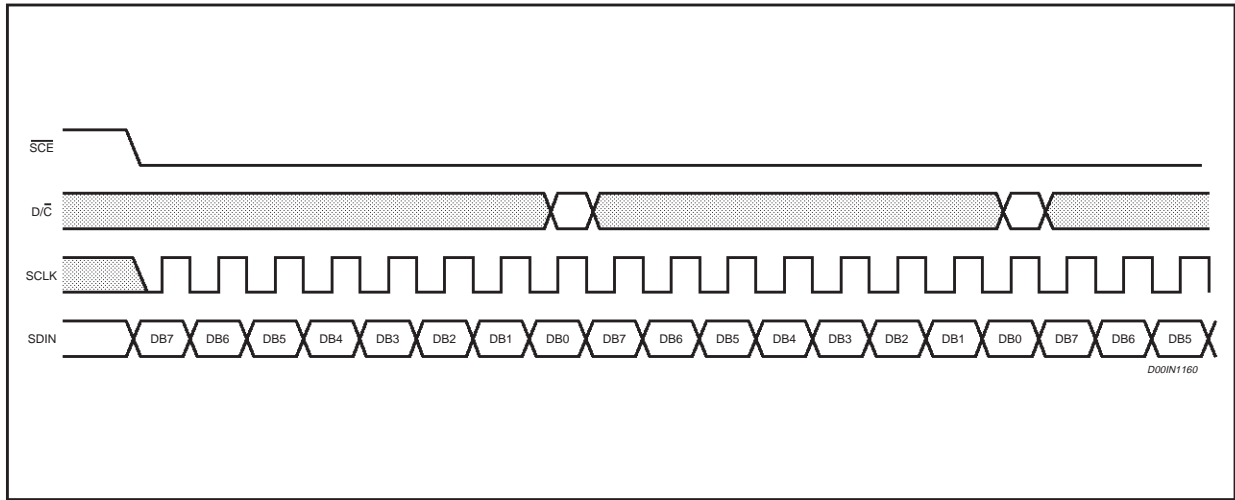
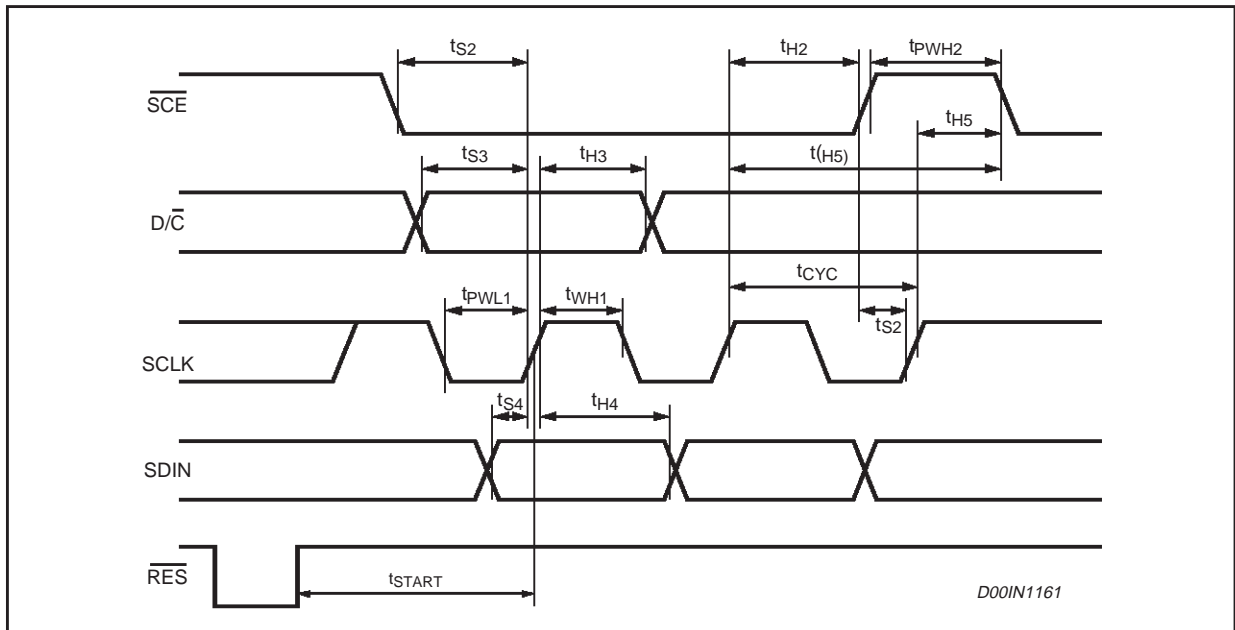


Figure 22. RESET effect on the serial interface



Parallel Interface

The STE2001 parallel Interface is a unidirectional link between the display driver and the application supervisor. It consists of ten lines: eight data lines (from DB7 to DB0) and two control lines. The control lines are: enable (E) for data latch and PD/C for mode selection.

The data lines and the control line values are internally latched on E rising edge (fig. 23).

Figure 23. Parallel interface timing

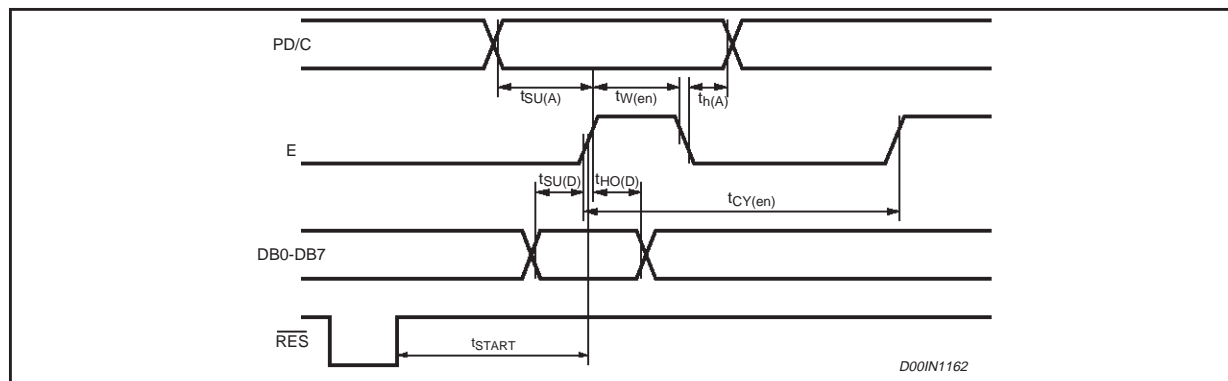


Table 1. Instruction Set

Instruction	D/C	R/W									Description
			B7	B6	B5	B4	B3	B2	B1	B0	
H=0 or H=1											
NOP	0	0	0	0	0	0	0	0	0	0	No Operation
Function Set	0	0	0	0	1	MX	MY	PD	V	H	Power Down Management; Entry Mode; Extended Instruction Set
Read Status Byte	0	1	PD	TRS	BRS	D	E	MX	MY	DO	(I ² C interface only)
Write Data	1	0	D7	D6	D5	D4	D3	D2	D1	D0	Writes data to RAM
H=0											
Memory Blank	0	0	0	0	0	0	0	0	0	1	Starts Memory Blank Procedure
Scroll	0	0	0	0	0	0	0	0	1	DIR	Scrolls by one Row UP or DOWN
V _{LDC} Range Setting	0	0	0	0	0	0	0	1	0	PRS	V _{LDC} programming range selection
Display Control	0	0	0	0	0	0	1	D	0	E	Select Display Configuration
Set CP Factor	0	0	0	0	0	1	0	0	S1	S0	Charge Pump Multiplication Factor
Set RAM Y	0	0	0	1	0	0	Y3	Y2	Y1	Y0	Set Horizontal (Y) RAM Address
Set RAM X	0	0	1	X6	X5	X4	X3	X2	X1	X0	Set Vertical (X) RAM Address
H=1											
Checker Board	0	0	0	0	0	0	0	0	0	1	Starts Checker Board Procedure
Multiplex Select	0	0	0	0	0	0	0	0	1	MUX	Selects MUX factor
TC Select	0	0	0	0	0	0	0	1	TC1	TC0	Set Temperature Coefficient for V _{LDC}
Output Address	0	0	0	0	0	0	1	DO	TRS	BRS	Set Row Order on Output Pads
Bias Ratios	0	0	0	0	0	1	0	BS2	BS1	BS0	Set desired Bias Ratios
Reserved	0	0	0	1	X	X	X	X	X	X	Not to be used
Set V _{OP}	0	0	1	OP6	OP5	OP4	OP3	OP2	OP1	OP0	V _{OP} register Write instruction

Table 2. Explanations of Table 6 symbols

BIT	0	1	RESET STATE
DIR	Scroll by one down	Scroll by one up	
H	Use basic instruction set	Use extended instruction set	0
PD	Device fully working	Device in power down	1
V	Horizontal addressing	Vertical addressing	0
MX	Normal X axis addressing	X axis address is mirrored.	0
MY	Image is displayed not vertically mirrored	Image is displayed vertically mirrored	0
TRS	No top rows mirroring	Top rows mirroring (row pads 16-31 & 48-64)	0
BRS	No bottom rows mirroring	Bottom rows mirroring (row pads 0-15 & 32-47)	0
DO	MSB on TOP	MSB on BOTTOM	0
PRS	V _{LCD} = 2.94V	V _{LCD} = 6.75V	0
MUX	1:65 multiplexing ratio	1:33 multiplexing ratio	0

Table 3.

D	E	DESCRIPTION	RESET STATE
0	0	display blank	D=0 E=0
1	0	normal mode	
0	1	all display segments on	
1	1	inverse video mode	

Table 4.

S1	S0	DESCRIPTION	RESET STATE
0	0	Multiplication Factor 2X	0
0	1	Multiplication Factor 3X	
1	0	Multiplication Factor 4X	
1	1	Multiplication Factor 5X	

Table 5.

TC1	TC0	DESCRIPTION	RESET STATE
0	0	VLCD temperature Coefficient 0	00
0	1	VLCD temperature Coefficient 1	
1	0	VLCD temperature Coefficient 2	
1	1	VLCD temperature Coefficient 3	

Table 6.

BS2	BS1	BS0	DESCRIPTION	RESET STATE
0	0	0	Bias Ratio equal to 7	000
0	0	1	Bias Ratio equal to 6	
0	1	0	Bias Ratio equal to 5	
0	1	1	Bias Ratio equal to 4	
1	0	0	Bias Ratio equal to 3	
1	0	1	Bias Ratio equal to 2	
1	1	0	Bias Ratio equal to 1	
1	1	1	Bias Ratio equal to 0	

Figure 24. Application Schematic Using an External LCD Voltage Generator

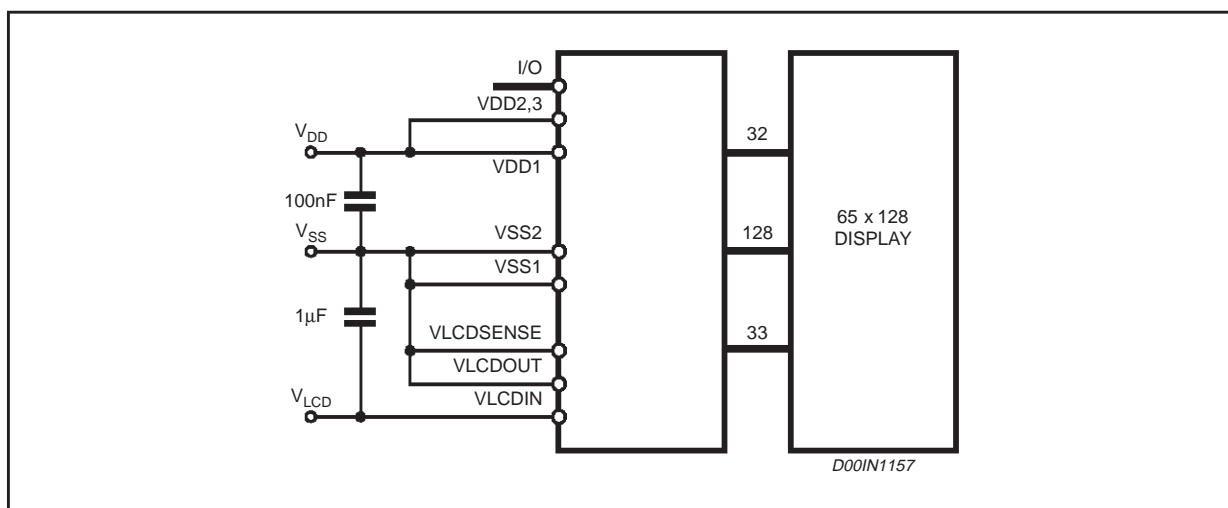


Figure 25. Application Schematic using the Internal LCD Voltage Generator and two separate supplies

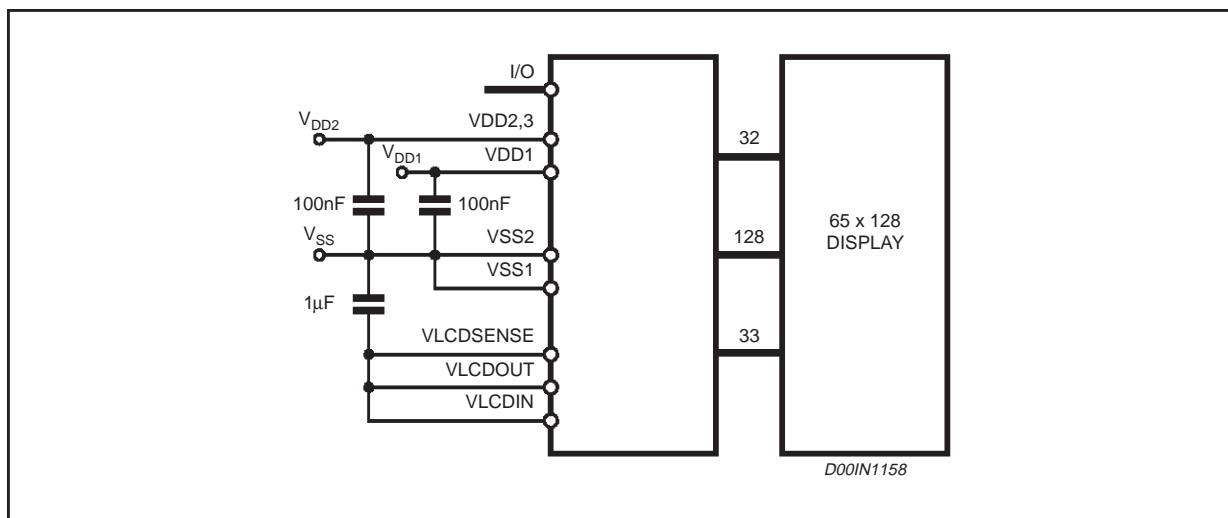


Figure 26. Application Schematic using the Internal LCD Voltage Generator and a single supply

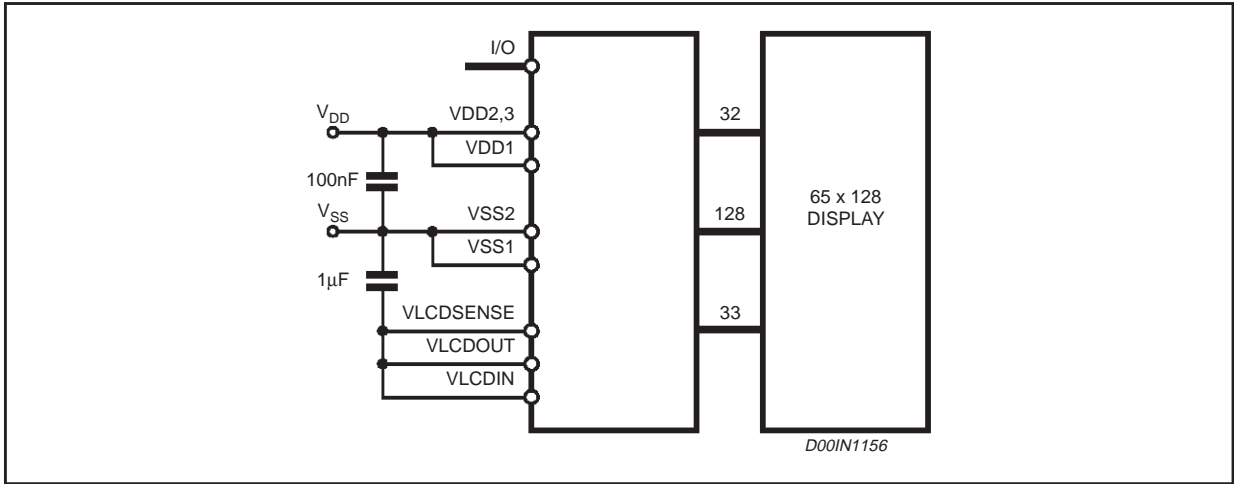


Figure 27. Pad Configuration with I2C interface

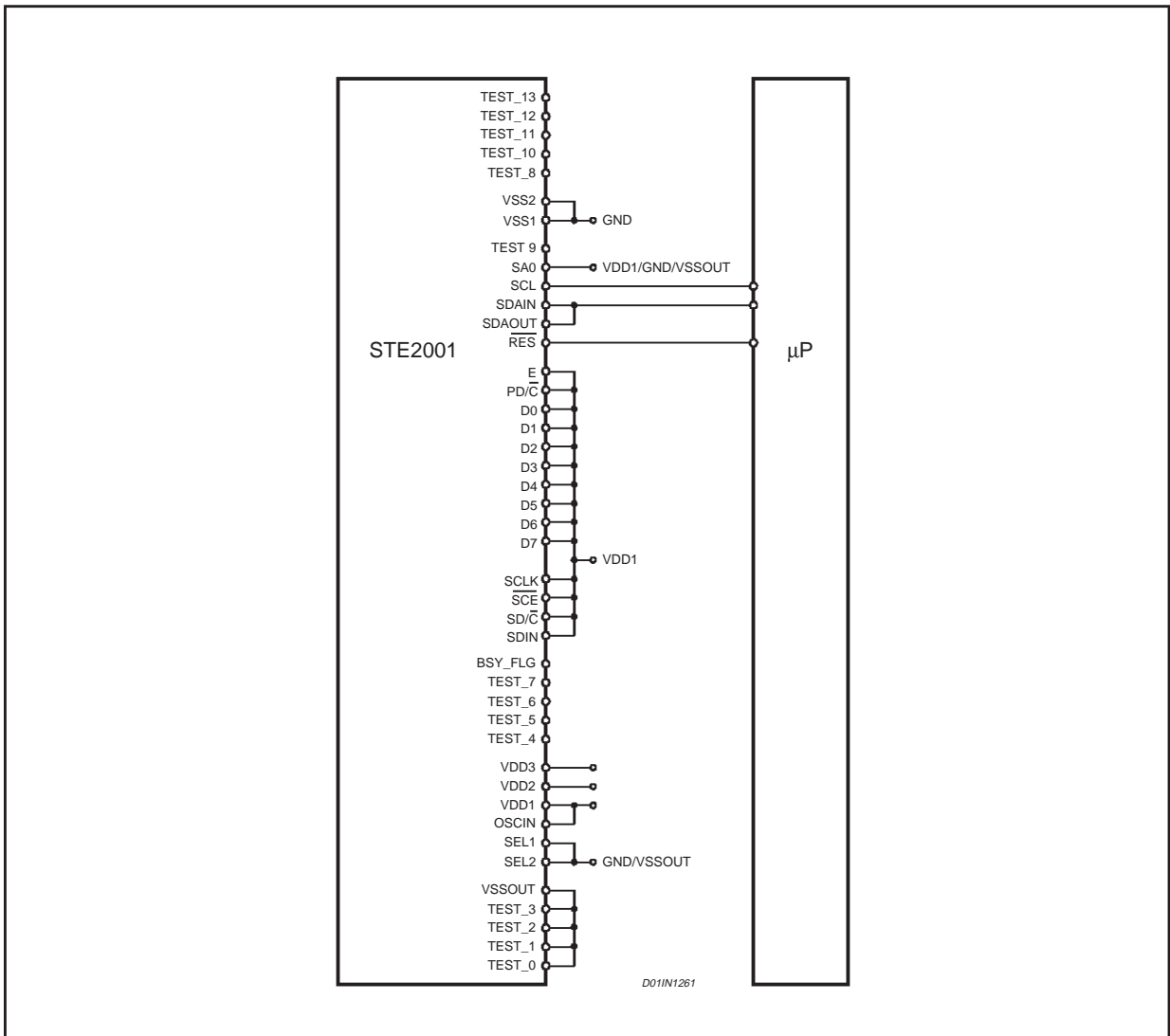


Figure 28. Pad Configuration with Parallel interface

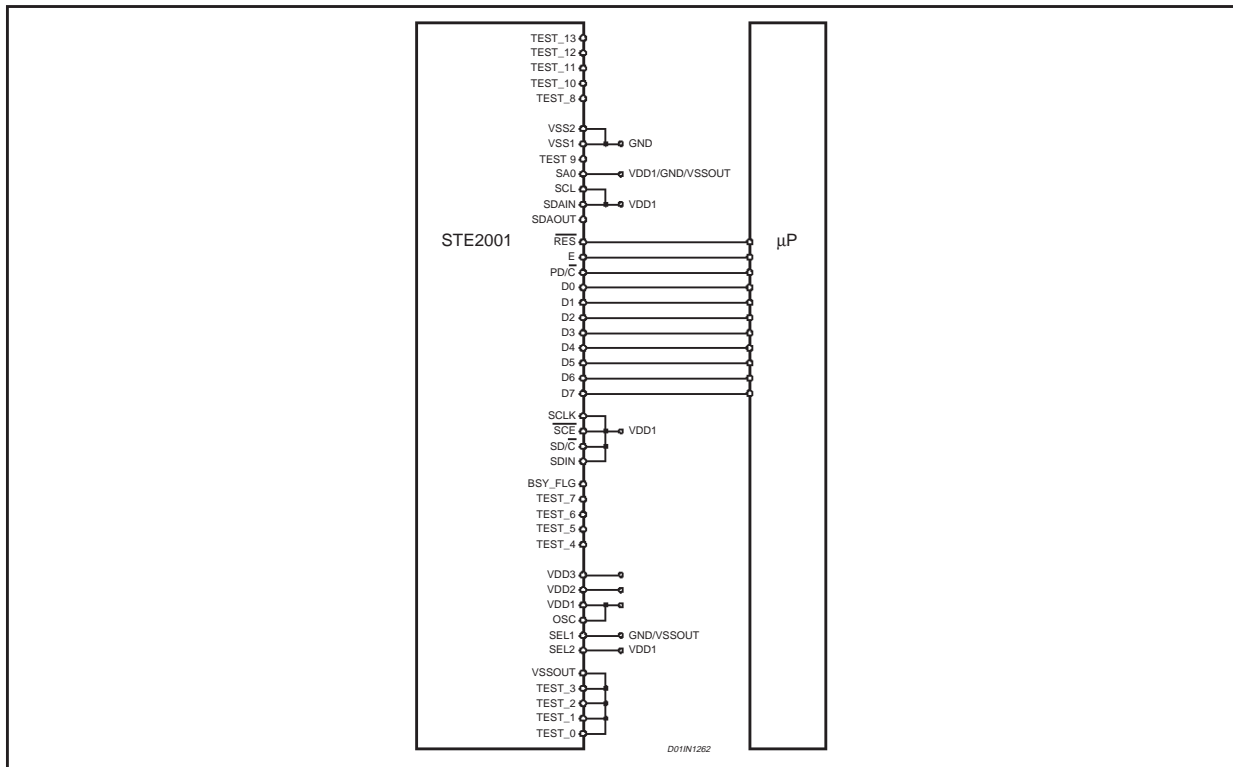


Figure 29. Pad Configuration with Serial interface

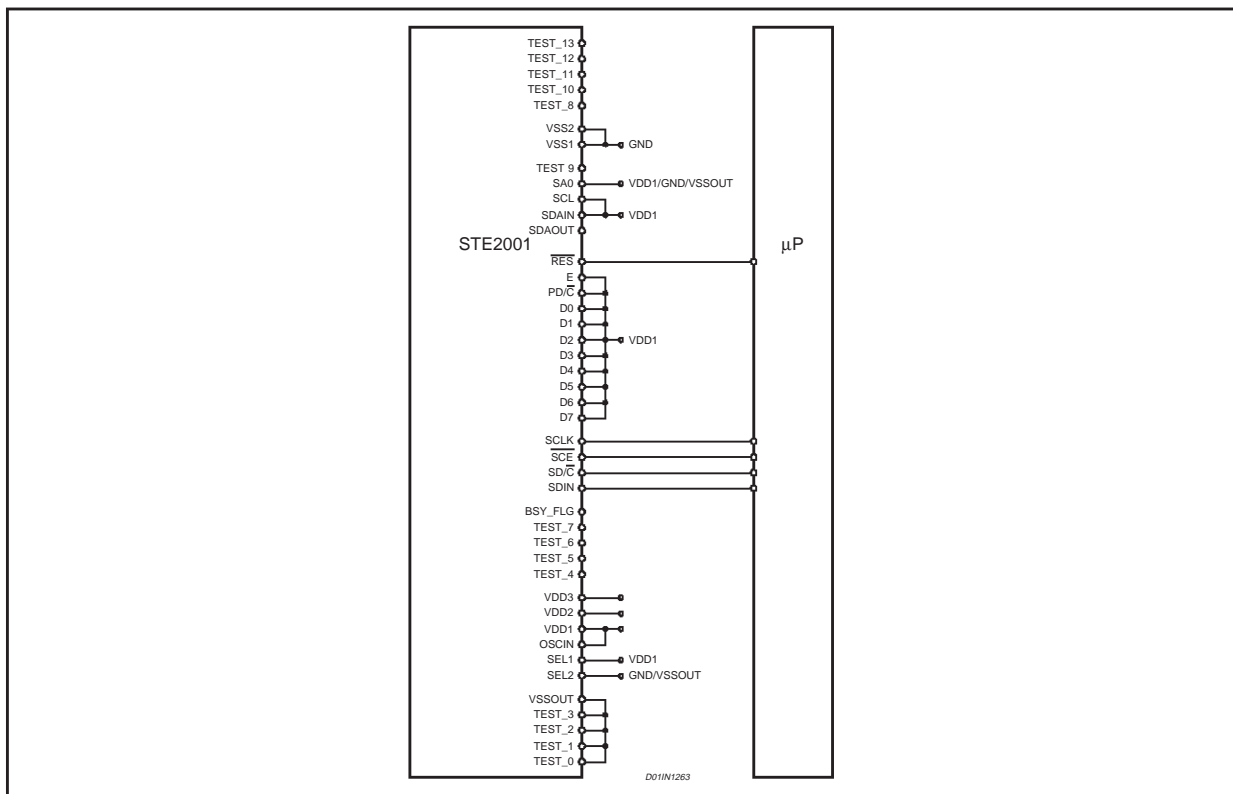


Figure 30. Power OFF Timing Diagram

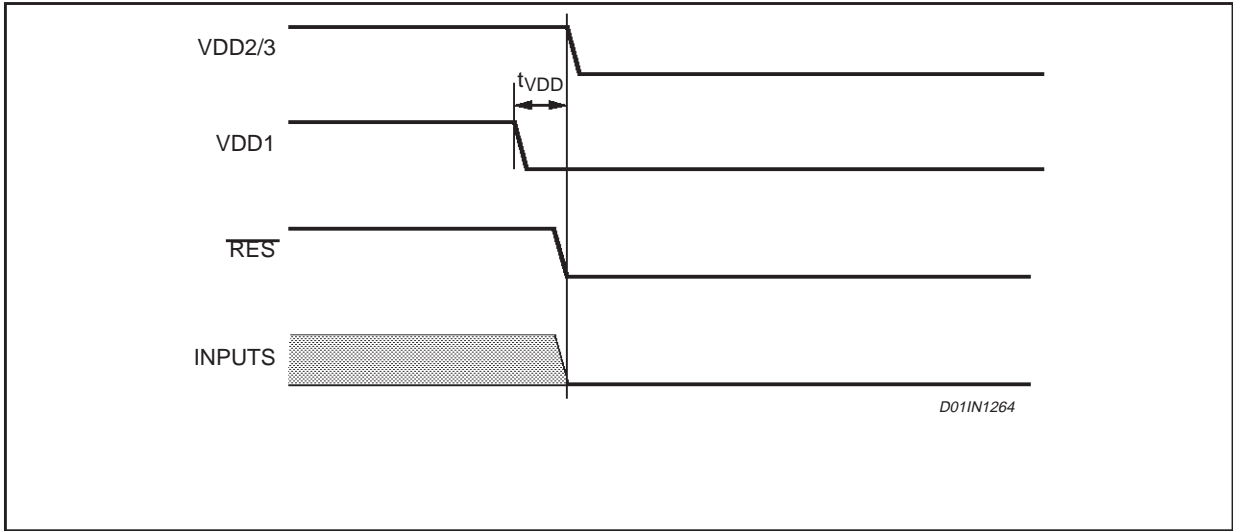


Figure 31. Power OFF Sequence

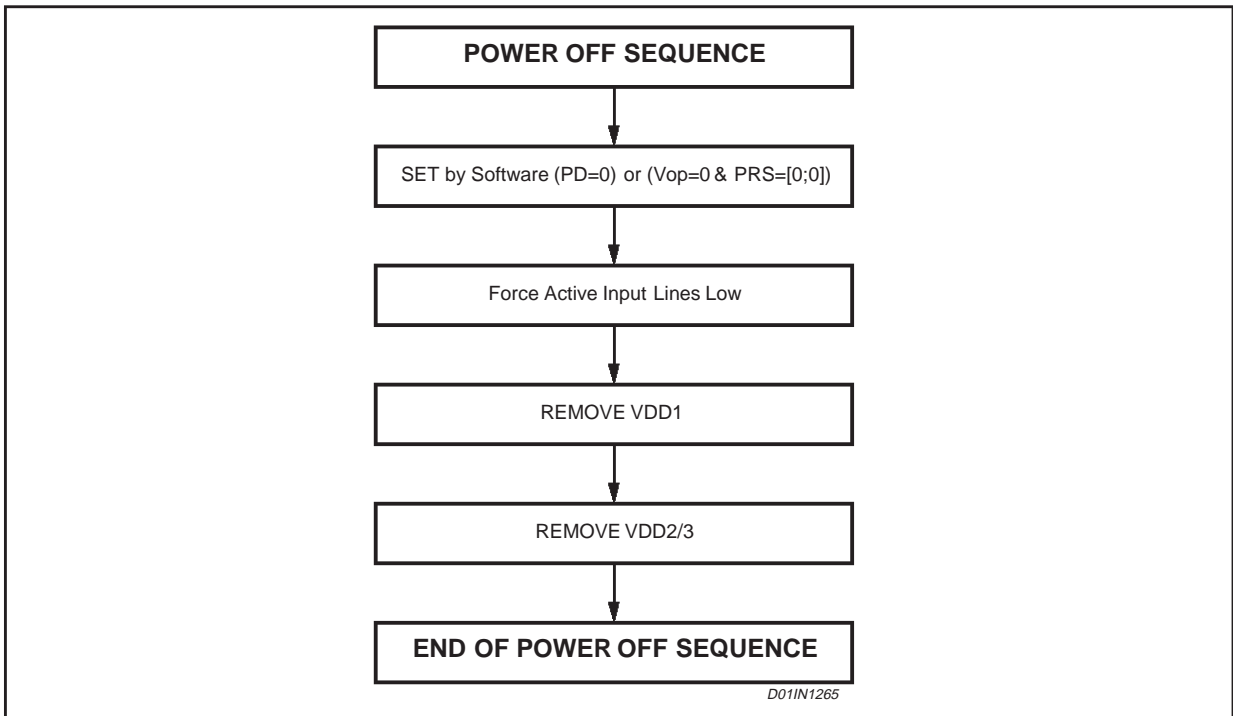


Figure 32. Power-Up & RESET timing diagram

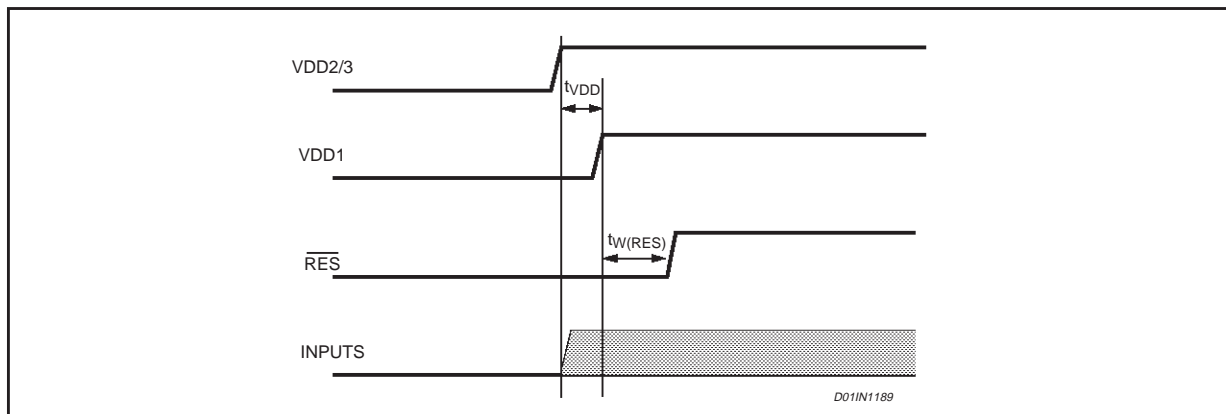


Figure 33. Power-Up & RESET timing diagram

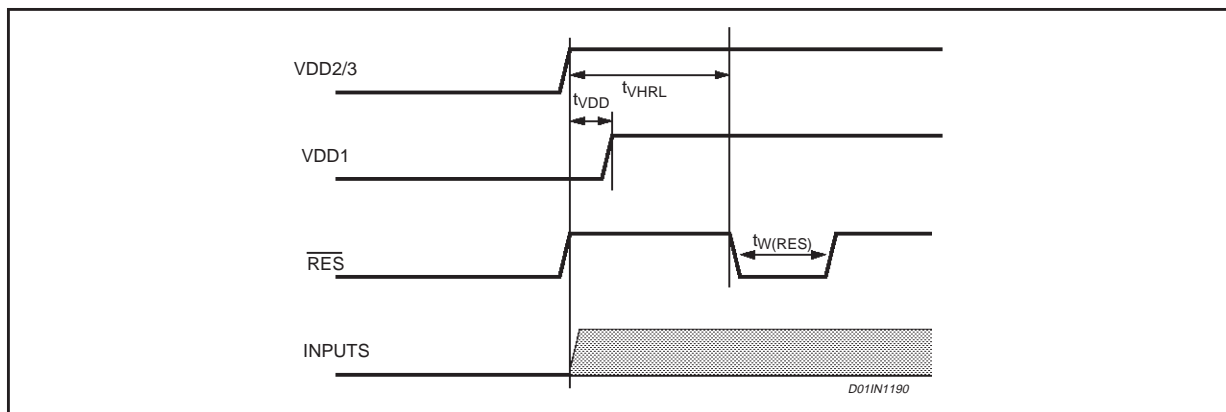


Figure 34. Power Up Sequence

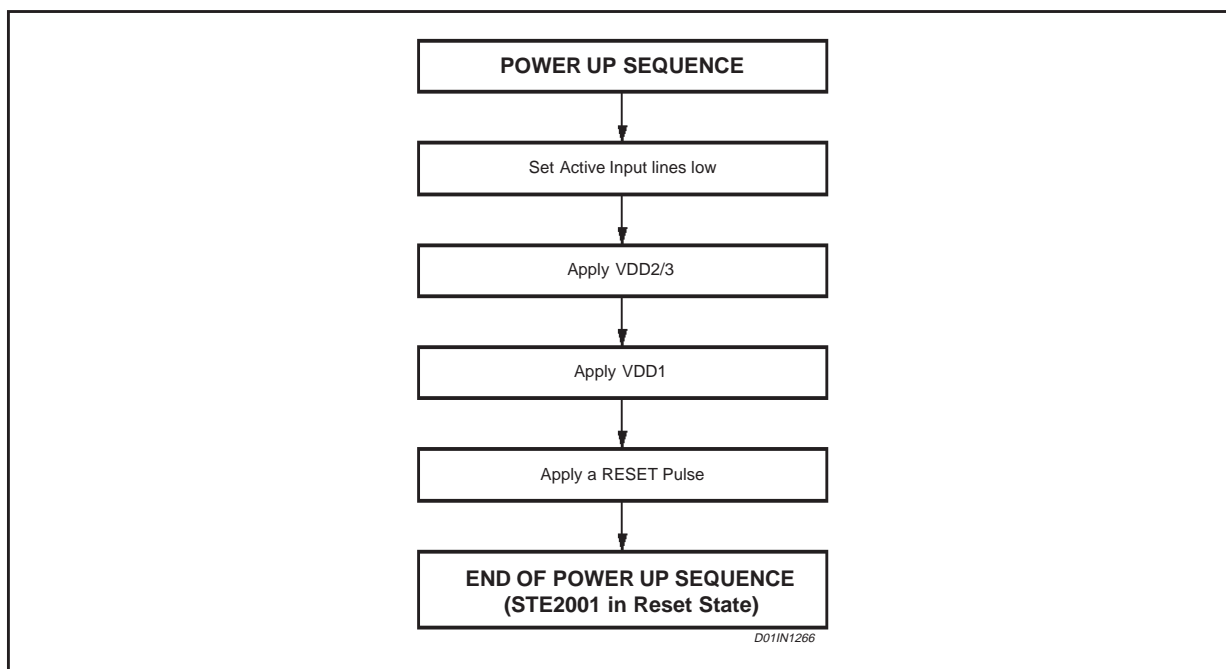


Figure 35. Chip Mechanical Drawing

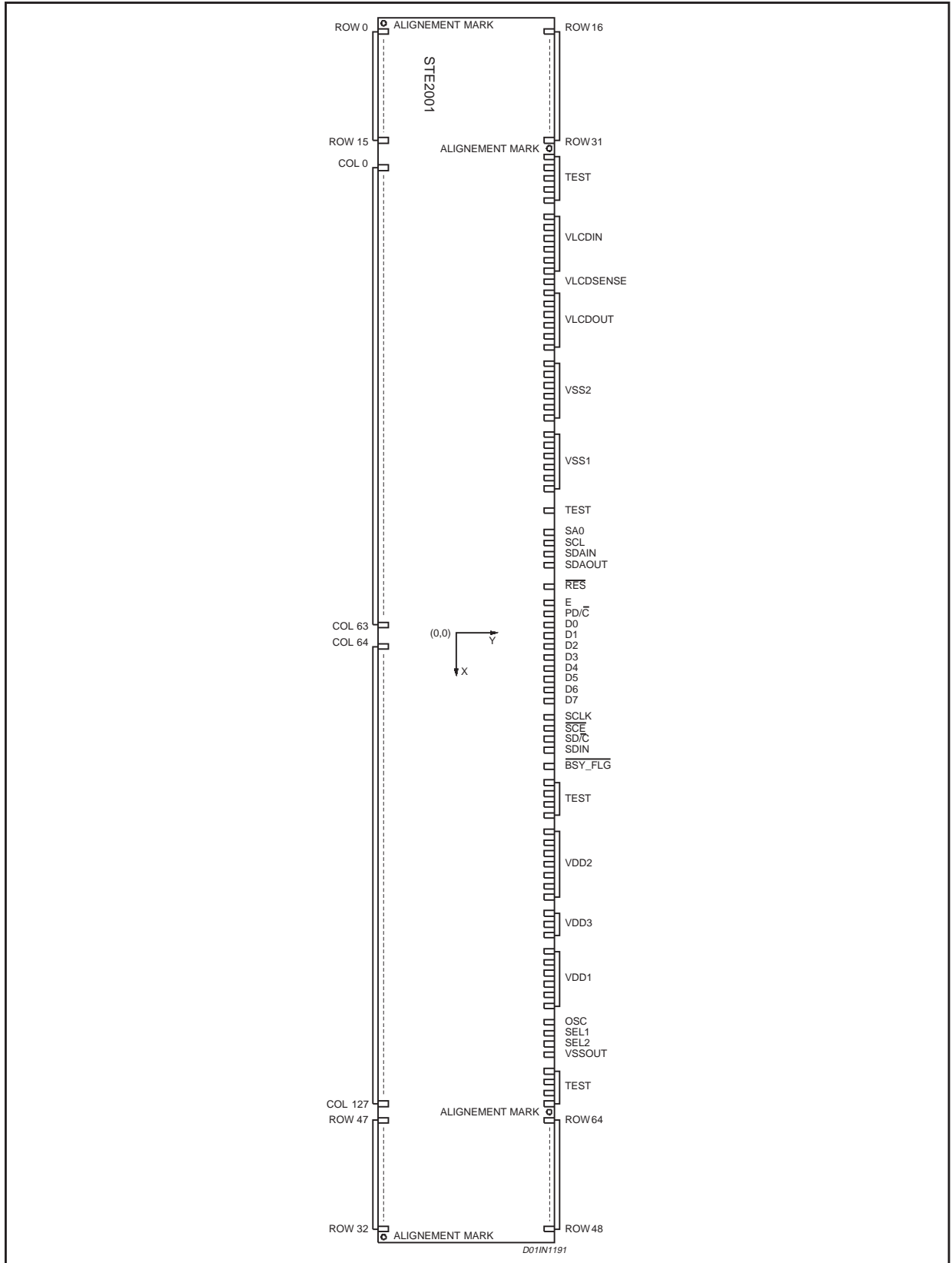


Figure 36. Improved ALTH & PLESKO Driving Method

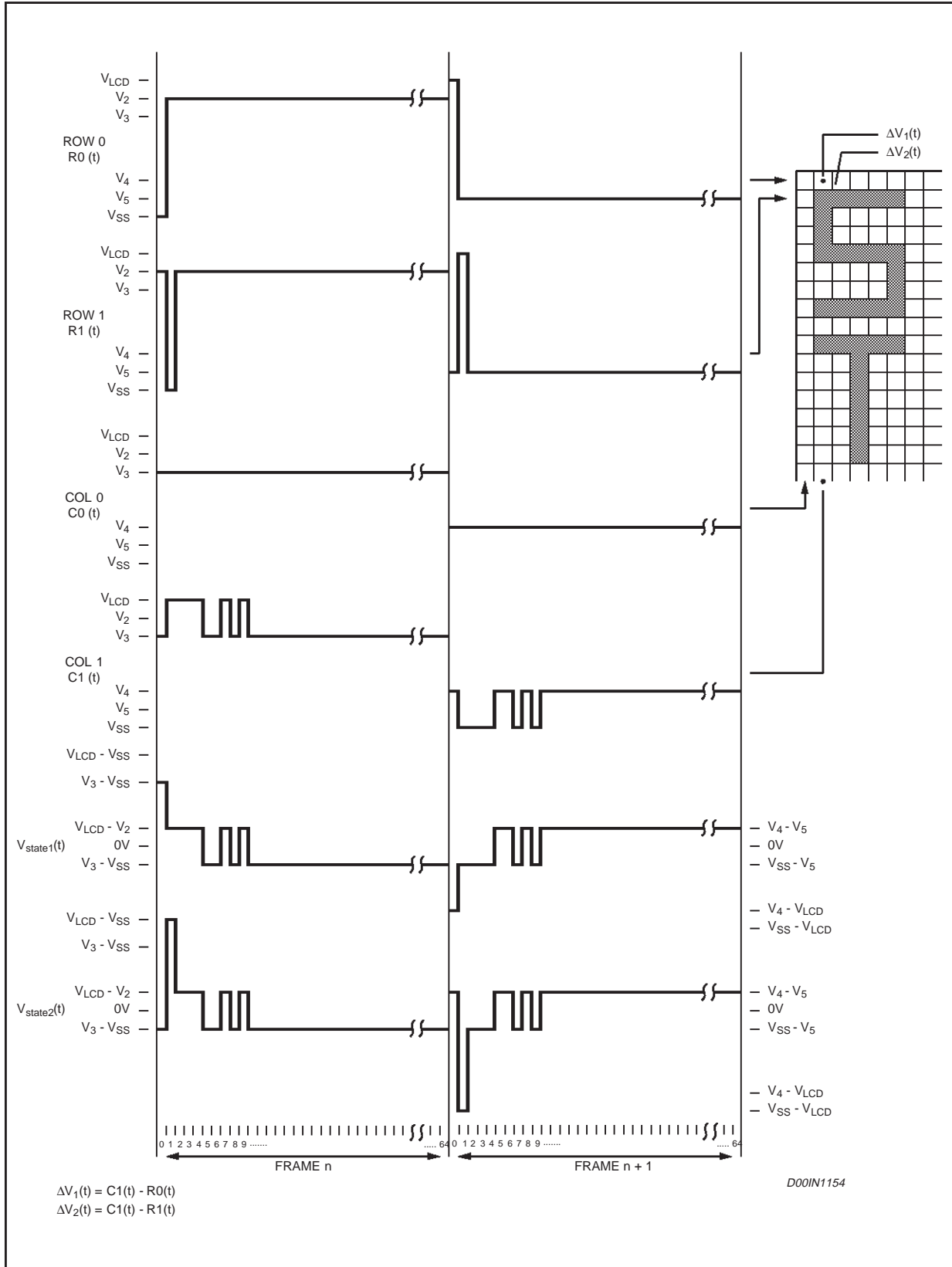


Figure 37. DATA RAM to display Mapping

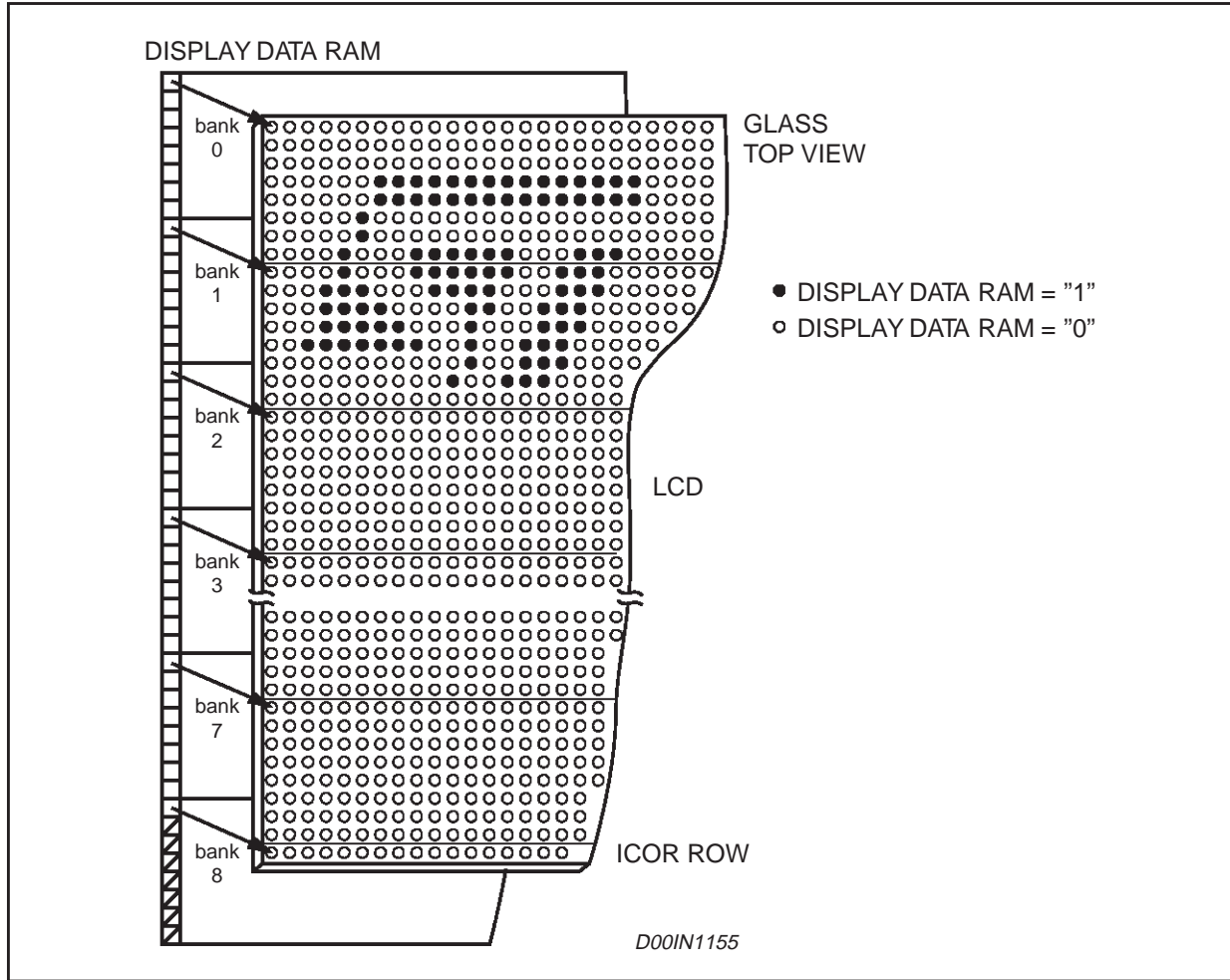


Table 7. Test Pin Configuration

Test Numb.	Pin
TEST_0	GND
TEST_1	GND
TEST_2	GND
TEST_3	GND
TEST_4	OPEN
TEST_5	OPEN
TEST_6	OPEN
TEST_7	OPEN
T8	OPEN
T9	OPEN
TEST_10	OPEN
TEST_11	OPEN
TEST_12	OPEN
TEST_13	OPEN

Table 8. Mechanical Dimensions

Die Size	2.12mmX12.5mm
Pad Pitch	70 μm
Pad Size	62 μm X 100 μm
Bump Dimensions	50 μm X88 μm X17.5
WFS Thickness	500 μm

Table 9. Pad Coordinates

NAME	PAD	X (μm)	Y(μm)
R0	1	-5,994	-898.2
R1	2	-5,924	-898.2
R2	3	-5,854	-898.2
R3	4	-5,784	-898.2
R4	5	-5,714	-898.2
R5	6	-5,644	-898.2
R6	7	-5,574	-898.2
R7	8	-5,504	-898.2
R8	9	-5,434	-898.2
R9	10	-5,364	-898.2
R10	11	-5,294	-898.2
R11	12	-5,224	-898.2
R12	13	-5,154	-898.2
R13	14	-5,084	-898.2
R14	15	-5,014	-898.2
R15	16	-4,944	-898.2
C0	17	-4,591.8	-898.2
C1	18	-4,521.8	-898.2
C2	19	-4,451.8	-898.2
C3	20	-4,381.8	-898.2
C4	21	-4,311.8	-898.2
C5	22	-4,241.8	-898.2
C6	23	-4,171.8	-898.2
C7	24	-4,101.8	-898.2
C8	25	-4,031.8	-898.2
C9	26	-3,961.8	-898.2
C10	27	-3,891.8	-898.2
C11	28	-3,821.8	-898.2
C12	29	-3,751.8	-898.2

Table 9. Pad Coordinates (continued)

NAME	PAD	X (μm)	Y(μm)
C13	30	-3,681.8	-898.2
C14	31	-3,611.8	-898.2
C15	32	-3,541.8	-898.2
C16	33	-3,471.8	-898.2
C17	34	-3,401.8	-898.2
C18	35	-3,331.8	-898.2
C19	36	-3,261.8	-898.2
C20	37	-3,191.8	-898.2
C21	38	-3,121.8	-898.2
C22	39	-3,051.8	-898.2
C23	40	-2,981.8	-898.2
C24	41	-2,911.8	-898.2
C25	42	-2,841.8	-898.2
C26	43	-2,771.8	-898.2
C27	44	-2,701.8	-898.2
C28	45	-2,631.8	-898.2
C29	46	-2,561.8	-898.2
C30	47	-2,491.8	-898.2
C31	48	-2,421.8	-898.2
C32	49	-2,351.8	-898.2
C33	50	-2,281.8	-898.2
C34	51	-2,211.8	-898.2
C35	52	-2,141.8	-898.2
C36	53	-2,071.8	-898.2
C37	54	-2,001.8	-898.2
C38	55	-1,931.8	-898.2
C39	56	-1,861.8	-898.2
C40	57	-1,791.8	-898.2
C41	58	-1,721.8	-898.2
C42	59	-1,651.8	-898.2
C43	60	-1,581.8	-898.2
C44	61	-1,511.8	-898.2
C45	62	-1,441.8	-898.2
C46	63	-1,371.8	-898.2
C47	64	-1,301.8	-898.2
C48	65	-1,231.8	-898.2
C49	66	-1,161.8	-898.2

Table 9. Pad Coordinates (continued)

NAME	PAD	X (μm)	Y(μm)
C50	67	-1,091.8	-898.2
C51	68	-1,021.8	-898.2
C52	69	-951.8	-898.2
C53	70	-881.8	-898.2
C54	71	-811.8	-898.2
C55	72	-741.8	-898.2
C56	73	-671.8	-898.2
C57	74	-601.8	-898.2
C58	75	-531.8	-898.2
C59	76	-461.8	-898.2
C60	77	-391.8	-898.2
C61	78	-321.8	-898.2
C62	79	-251.8	-898.2
C63	80	-181.8	-898.2
C64	81	175.44	-898.2
C65	82	245.44	-898.2
C66	83	315.44	-898.2
C67	84	385.44	-898.2
C68	85	455.44	-898.2
C69	86	525.44	-898.2
C70	87	595.44	-898.2
C71	88	665.44	-898.2
C72	89	735.44	-898.2
C73	90	805.44	-898.2
C74	91	875.44	-898.2
C75	92	945.44	-898.2
C76	93	1,015.44	-898.2
C77	94	1,085.44	-898.2
C78	95	1,155.44	-898.2
C79	96	1,225.44	-898.2
C80	97	1,295.44	-898.2
C81	98	1,365.44	-898.2
C82	99	1,435.44	-898.2
C83	100	1,505.44	-898.2
C84	101	1,575.44	-898.2
C85	102	1,645.44	-898.2
C86	103	1,715.44	-898.2

Table 9. Pad Coordinates (continued)

NAME	PAD	X (μm)	Y(μm)
C87	104	1,785.44	-898.2
C88	105	1,855.44	-898.2
C89	106	1,925.44	-898.2
C90	107	1,995.44	-898.2
C91	108	2,065.44	-898.2
C92	109	2,135.44	-898.2
C93	110	2,205.44	-898.2
C94	111	2,275.44	-898.2
C95	112	2,345.44	-898.2
C96	113	2,415.44	-898.2
C97	114	2,485.44	-898.2
C98	115	2,555.44	-898.2
C99	116	2,625.44	-898.2
C100	117	2,695.44	-898.2
C101	118	2,765.44	-898.2
C102	119	2,835.44	-898.2
C103	120	2,905.44	-898.2
C104	121	2,975.44	-898.2
C105	122	3,045.44	-898.2
C106	123	3,115.44	-898.2
C107	124	3,185.44	-898.2
C108	125	3,255.44	-898.2
C109	126	3,325.44	-898.2
C110	127	3,395.44	-898.2
C111	128	3,465.44	-898.2
C112	129	3,535.44	-898.2
C113	130	3,605.44	-898.2
C114	131	3,675.44	-898.2
C115	132	3,745.44	-898.2
C116	133	3,815.44	-898.2
C117	134	3,885.44	-898.2
C118	135	3,955.44	-898.2
C119	136	4,025.44	-898.2
C120	137	4,095.44	-898.2
C121	138	4,165.44	-898.2
C122	139	4,235.44	-898.2
C123	140	4,305.44	-898.2

Table 9. Pad Coordinates (continued)

NAME	PAD	X (μm)	Y(μm)
C124	141	4,375.44	-898.2
C125	142	4,445.44	-898.2
C126	143	4,515.44	-898.2
C127	144	4,585.44	-898.2
R47	145	4,943.84	-898.2
R46	146	5,013.84	-898.2
R45	147	5,083.84	-898.2
R44	148	5,153.84	-898.2
R43	149	5,223.84	-898.2
R42	150	5,293.84	-898.2
R41	151	5,363.84	-898.2
R40	152	5,433.84	-898.2
R39	153	5,503.84	-898.2
R38	154	5,573.84	-898.2
R37	155	5,643.84	-898.2
R36	156	5,713.84	-898.2
R35	157	5,783.84	-898.2
R34	158	5,853.84	-898.2
R33	159	5,923.84	-898.2
R32	160	5,993.84	-898.2
R48	161	6,021.92	898.2
R49	162	5,951.92	898.2
R50	163	5,881.92	898.2
R51	164	5,811.92	898.2
R52	165	5,741.92	898.2
R53	166	5,671.92	898.2
R54	167	5,601.92	898.2
R55	168	5,531.92	898.2
R56	169	5,461.92	898.2
R57	170	5,391.92	898.2
R58	171	5,321.92	898.2
R59	172	5,251.92	898.2
R60	173	5,181.92	898.2
R61	174	5,111.92	898.2
R62	175	5,041.92	898.2
R63	176	4,971.92	898.2
R64	177	4,901.92	898.2

Table 9. Pad Coordinates (continued)

NAME	PAD	X (μm)	Y(μm)
TEST_3	178	4,640.52	898.2
TEST_2	179	4,500.68	898.2
TEST_1	180	4,360.84	898.2
TEST_0	181	4,221	898.2
VSSOUT	182	4,151	898.2
SEL2	183	4,011.16	898.2
SEL1	184	3,871.32	898.2
OSC	185	3,731.48	898.2
VDD1_1	186	3,661.48	898.2
VDD1_2	187	3,591.48	898.2
VDD1_3	188	3,521.48	898.2
VDD1_4	189	3,451.48	898.2
VDD1_5	190	3,381.48	898.2
VDD1_6	191	3,311.48	898.2
VDD3_1	192	3,223.08	898.2
VDD3_2	193	3,153.08	898.2
VDD3_3	194	3,083.08	898.2
VDD2_1	195	2,994.68	898.2
VDD2_2	196	2,924.68	898.2
VDD2_3	197	2,854.68	898.2
VDD2_4	198	2,784.68	898.2
VDD2_5	199	2,714.68	898.2
VDD2_6	200	2,644.68	898.2
VDD2_7	201	2,574.68	898.2
TEST_7	202	2,033.84	898.2
TEST_6	203	1,894	898.2
TEST_5	204	1,754.16	898.2
TEST_4	205	1,614.32	898.2
BSY_FLAG	206	1,474.48	898.2
SDIN	207	1,333.2	898.2
SD/C	208	1,193.36	898.2
SCE	209	1,053.52	898.2
SCLK	210	913.68	898.2
D7	211	773.84	898.2
D6	212	634	898.2
D5	213	494.16	898.2
D4	214	354.32	898.2

Table 9. Pad Coordinates (continued)

NAME	PAD	X (µm)	Y(µm)
D3	215	214.48	898.2
D2	216	74.64	898.2
D1	217	-65.2	898.2
D0	218	-205.04	898.2
PD/C	219	-344.88	898.2
E	220	-484.72	898.2
RES	221	-624.56	898.2
SDA_OUT	222	-764.4	898.2
SDA_IN	223	-904.24	898.2
SCL	224	-1,044.08	898.2
SA0	225	-1,183.92	898.2
TEST9	226	-1,722.04	898.2
VSS1_1	227	-1,795.48	898.2
VSS1_2	228	-1,865.48	898.2
VSS1_3	229	-1,935.48	898.2
VSS1_4	230	-2,075.88	898.2
VSS1_5	231	-2,145.88	898.2
VSS1_6	232	-2,215.88	898.2
VSS2_1	233	-2,356.28	898.2
VSS2_2	234	-2,426.28	898.2
VSS2_3	235	-2,496.28	898.2
VSS2_4	236	-2,636.68	898.2
VSS2_5	237	-2,706.68	898.2
VSS2_6	238	-2,776.68	898.2
VLCDOUT1	239	-3,545.64	898.2
VLCDOUT2	240	-3,615.64	898.2
VLCDOUT3	241	-3,685.64	898.2
VLCDOUT4	242	-3,755.64	898.2
VLCDOUT5	243	-3,825.64	898.2
VLCDOUT6	244	-3,895.64	898.2
VLCSENSE	245	-3,968.08	898.2
VLCDIN_1	246	-4,040.48	898.2
VLCDIN_2	247	-4,110.48	898.2
VLCDIN_3	248	-4,180.48	898.2
VLCDIN_4	249	-4,250.48	898.2
VLCDIN_5	250	-4,320.48	898.2
VLCDIN_6	251	-4,390.48	898.2

Table 9. Pad Coordinates (continued)

NAME	PAD	X (µm)	Y(µm)
TEST_12	252	-4,460.48	898.2
TEST_13	253	-4,540.48	898.2
TEST_10	254	-4,620.48	898.2
TEST_11	255	-4,700.48	898.2
TEST_8	256	-4,780.48	898.2
R31	257	-4,971.92	898.2
R30	258	-5,041.92	898.2
R29	259	-5,111.92	898.2
R28	260	-5,181.92	898.2
R27	261	-5,251.92	898.2
R26	262	-5,321.92	898.2
R25	263	-5,391.92	898.2
R24	264	-5,461.92	898.2
R23	265	-5,531.92	898.2
R22	266	-5,601.92	898.2
R21	267	-5,671.92	898.2
R20	268	-5,741.92	898.2
R19	269	-5,811.92	898.2
R18	270	-5,881.92	898.2
R17	271	-5,951.92	898.2
R16	272	-6,021.92	898.2

Table 10. Alignment marks coordinates

X	Y	MARKS
4806.2	901.8	mark1
-4876.2	901.8	mark2
-6092.6	-901.8	mark3
6092.6	-901.8	mark4

Figure 38. Alignment marks dimensions

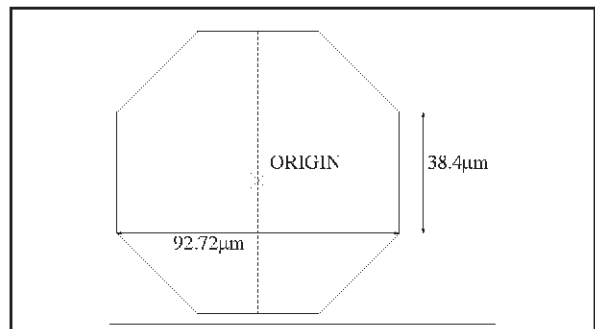


Figure 39.

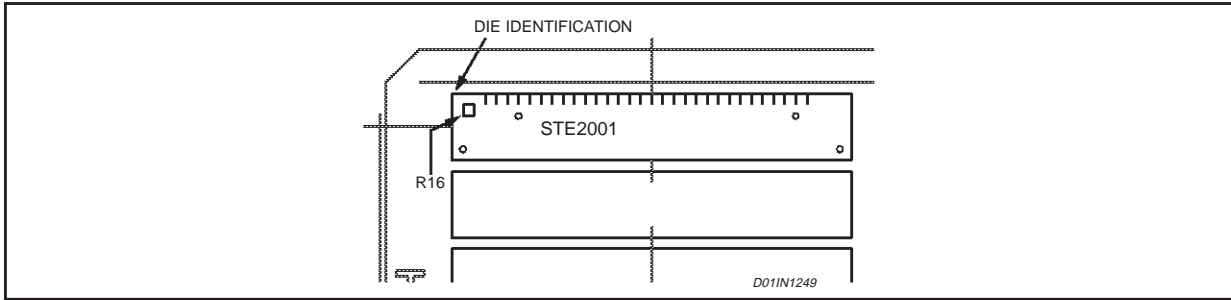
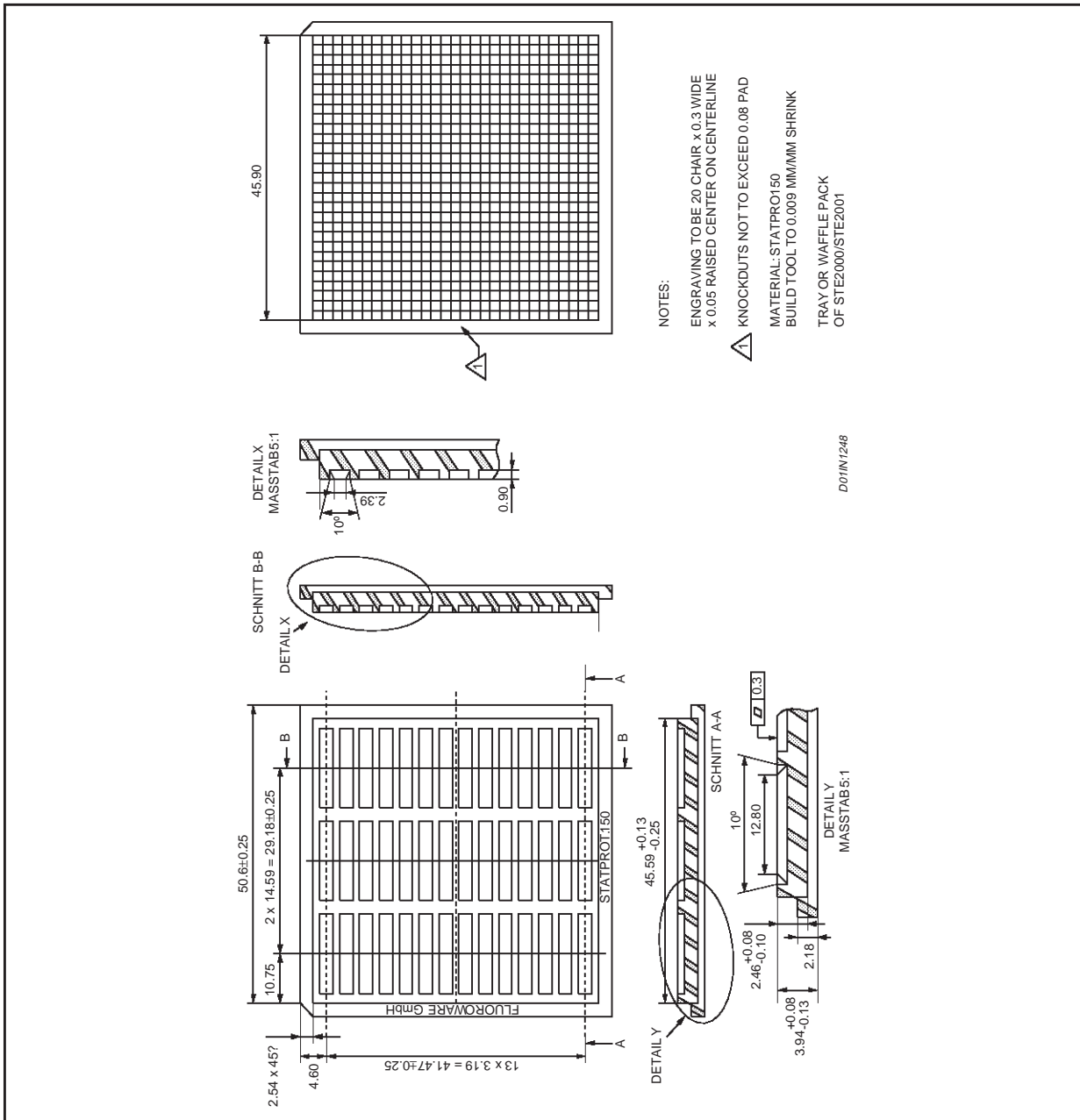


Figure 40. Tray Information



Information furnished is believed to be accurate and reliable. However, STMicroelectronics assumes no responsibility for the consequences of use of such information nor for any infringement of patents or other rights of third parties which may result from its use. No license is granted by implication or otherwise under any patent or patent rights of STMicroelectronics. Specifications mentioned in this publication are subject to change without notice. This publication supersedes and replaces all information previously supplied. STMicroelectronics products are not authorized for use as critical components in life support devices or systems without express written approval of STMicroelectronics.

The ST logo is a registered trademark of STMicroelectronics
© 2001 STMicroelectronics - All Rights Reserved

STMicroelectronics GROUP OF COMPANIES
Australia - Brazil - China - Finland - France - Germany - Hong Kong - India - Italy - Japan - Malaysia - Malta - Morocco - Singapore - Spain
- Sweden - Switzerland - United Kingdom - U.S.A.
<http://www.st.com>