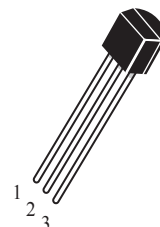


## NPN General Purpose Transistors

**(Pb)** Lead(Pb)-Free

**TO-92**


1. EMITTER  
2. BASE  
3. COLLECTOR

### ABSOLUTE MAXIMUM RATINGS (Ta=25°C)

Rating	Symbol	Value	Unit
Collector-Emitter Voltage	V <sub>CEO</sub>	25	Vdc
Collector-Base Voltage	V <sub>CBO</sub>	40	Vdc
Emitter-Base Voltage	V <sub>EBO</sub>	5.0	Vdc
Collector Current	I <sub>C</sub>	500	mAdc
Total Device Dissipation T <sub>A</sub> =25 °C	P <sub>D</sub>	0.625	W
Junction Temperature	T <sub>j</sub>	150	°C
Storage, Temperature	T <sub>stg</sub>	-55 to +150	°C

### ELECTRICAL CHARACTERISTICS

Characteristics	Symbol	Min	Max	Unit
Collector-Emitter Breakdown Voltage (I <sub>C</sub> = 0.1 mAdc, I <sub>B</sub> =0)	V <sub>(BR)CEO</sub>	25	-	Vdc
Collector-Base Breakdown Voltage (I <sub>C</sub> = 100 μAdc, I <sub>E</sub> =0)	V <sub>(BR)CBO</sub>	40	-	Vdc
Emitter-Base Breakdown Voltage (I <sub>E</sub> = 100 μAdc, I <sub>C</sub> =0)	V <sub>(BR)EBO</sub>	5.0	-	Vdc
Collector Cutoff Current (V <sub>CE</sub> = 20 Vdc, I <sub>B</sub> =0)	I <sub>CEO</sub>	-	0.1	uAdc
Collector Cutoff Current (V <sub>CB</sub> = 40 Vdc, I <sub>E</sub> =0)	I <sub>CBO</sub>	-	0.1	uAdc
Emitter Cutoff Current (V <sub>EB</sub> = 3.0Vdc, I <sub>C</sub> =0)	I <sub>EBO</sub>	-	0.1	uAdc

**S8050****ELECTRICAL CHARACTERISTICS** ( $T_A=25^{\circ}\text{C}$  unless otherwise noted) (Continued)

Characteristics	Symbol	Min	TYP	Max	Unit
-----------------	--------	-----	-----	-----	------

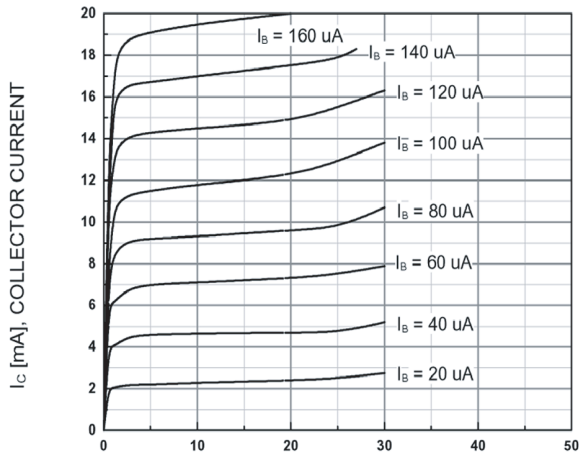
**ON CHARACTERISTICS**

DC Current Gain ( $I_C=50\text{ Adc}, V_{CE}=1.0\text{ Vdc}$ )	$h_{FE(1)}$	85	-	300	-
DC Current Gain ( $I_C=500\text{ mAdc}, V_{CE}=1.0\text{ Vdc}$ )	$h_{FE(2)}$	50	-	-	-
Collector-Emitter Saturation Voltage ( $I_C=500\text{ Adc}, I_B=50\text{ mAdc}$ )	$V_{CE(sat)}$	-	-	0.6	Vdc
Base-Emitter Saturation Voltage ( $I_C=500\text{ mAdc}, I_B=50\text{ mAdc}$ )	$V_{BE(sat)}$	-	-	1.2	Vdc
Current-Gain-Bandwidth Product ( $I_C=20\text{ mAdc}, V_{CE}=6.0\text{ Vdc}, f=30\text{ MHz}$ )	$f_T$	150	-	-	MHz

**Classification of  $h_{FE(1)}$** 

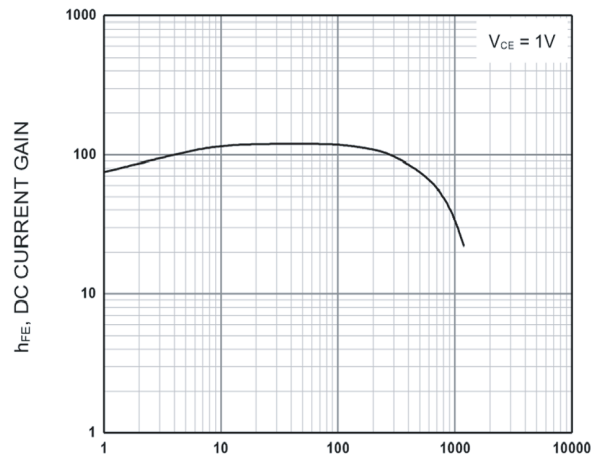
Rank	B	C	D
Range	85-160	120-200	160-300

## Typical Characteristics



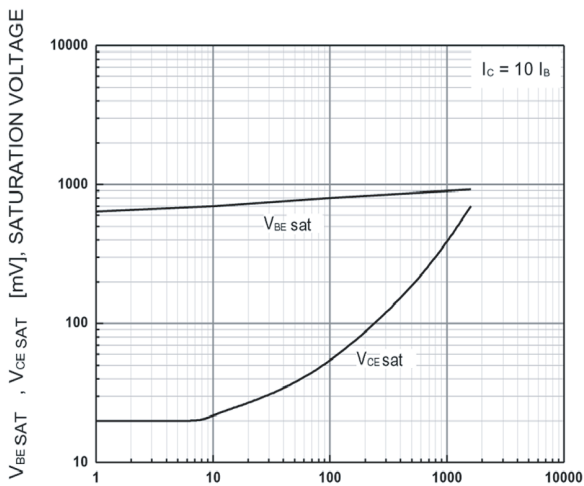
$V_{CE}$  [V], COLLECTOR-EMITTER VOLTAGE

Static Characteristic



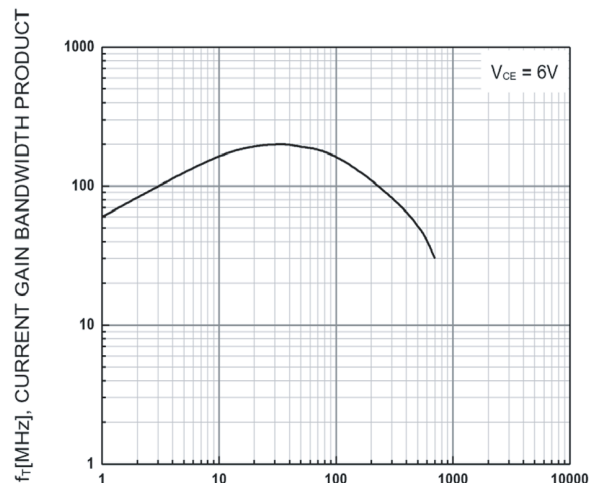
$I_c$  [mA], COLLECTOR CURRENT

DC current Gain



$I_c$  [mA], COLLECTOR CURRENT

Base-Emitter Saturation Voltage  
Collector-Emitter Saturation Voltage

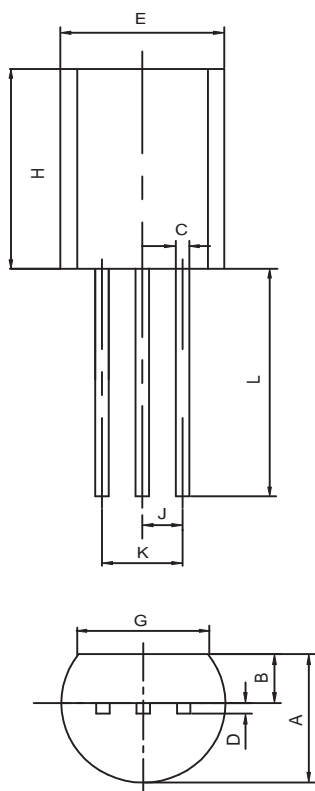


$I_c$  [mA], COLLECTOR CURRENT

Current Gain Bandwidth Product

## TO-92 Outline Dimensions

unit:mm



TO-92		
Dim	Min	Max
A	3.30	3.70
B	1.10	1.40
C	0.38	0.55
D	0.36	0.51
E	4.40	4.70
G	3.43	-
H	4.30	4.70
J	1.270TYP	
K	2.44	2.64
L	14.10	14.50